

4

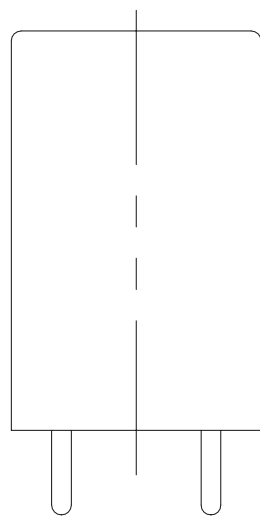
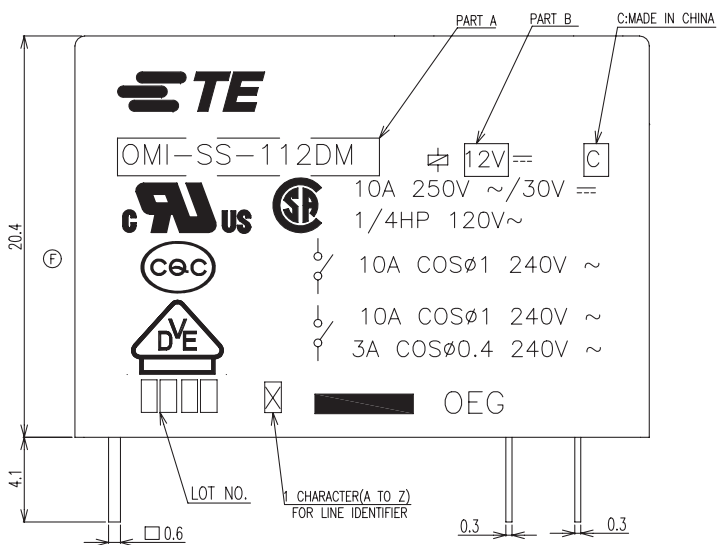
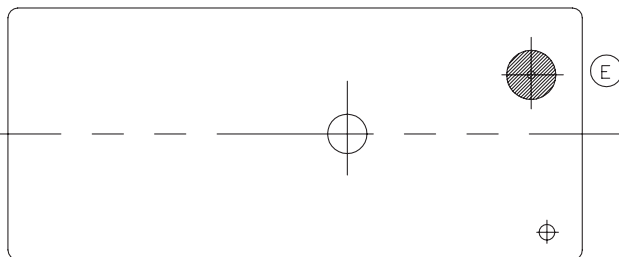
3

2

1

© - TE Connectivity. All Rights Reserved.

REVISIONS					
P	LTR	DESCRIPTION	DATE	DWN	APVD
	F	CHANGE BASE MATERIAL TO PBT, DIMENSION CHANGE, CANCEL SEMKO ECN-21-111227	15-JUL-21	XR.L	K.T

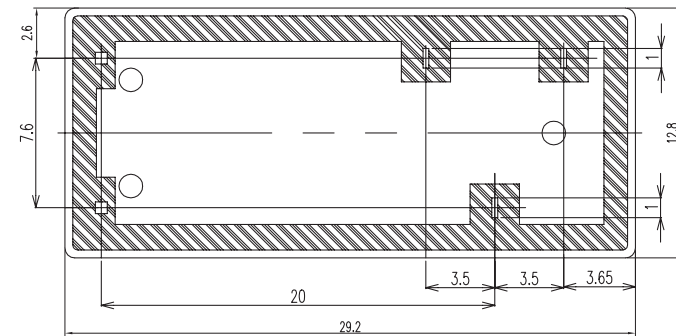


NOTES:  
 1.-SS-:PLASTIC SEALED TYPE  
 2.LOT NO. SYSTEM AS FOLLOWING:  
 0701 WEEK YEAR

3.GENERAL TOLERANCE AS FOLLOWING:

TOLERANCE	
0~0.99mm	$\pm$ 0.1
1mm~2.99mm	$\pm$ 0.2
3mmMIN.	$\pm$ 0.3

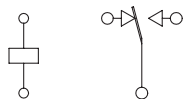
4.TERMINAL DIMENSION IS NOT INCLUDING SOLDER TIP.  
 FOR THE TIN-PLATING OF THE PINS:  
 +0.1mm FOR WIDTH,THICKNESS AND DIAMETER.  
 +0.5mm FOR LENGTH.



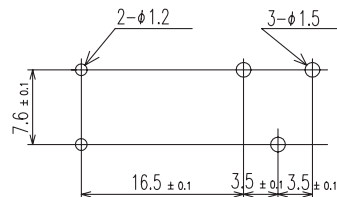
THIS DRAWING IS A CONTROLLED DOCUMENT.		DWN H.SASAKI	TE Connectivity		
DIMENSIONS: mm		CHK Y.OIKAWA			
TOLERANCES UNLESS OTHERWISE SPECIFIED:		APVD A.NAGAI	NAME OMI-SS-D/LM CUSTOMER DRAWING		
0 PLC $\pm$ - 1 PLC $\pm$ - 2 PLC $\pm$ - 3 PLC $\pm$ - 4 PLC ANGLES $\pm$ -		PRODUCT SPEC -	DRAWING NO A300779 C=8-1419144-1		
MATERIAL		FINISH	APPLICATION SPEC -	RESTRICTED TO -	SCALE 1:1
CUSTOMER DRAWING			WEIGHT -	SHEET 1 of 2	REV F

REVISIONS				
P	LTR	DESCRIPTION	DATE	APVD

CONNECTION DIAGRAM (BOTTOM VIEW)



DRILLING DIAGRAM(2/1) (BOTTOM VIEW)



6-1419122-6	OMI-SS-148LM	48V	OMI-SS-148LM
6-1419122-2	OMI-SS-124LM	24V	OMI-SS-124LM
5-1419122-9	OMI-SS-124DM	24V	OMI-SS-124DM
5-1419122-6	OMI-SS-112LM	12V	OMI-SS-112LM
5-1419122-2	OMI-SS-112DM	12V	OMI-SS-112DM
4-1419122-9	OMI-SS-106LM	6V	OMI-SS-106LM
4-1419122-7	OMI-SS-105LM	5V	OMI-SS-105LM
8-1419144-1	OMI-SS-105DM	5V	OMI-SS-105DM
PART NO	TE TYPE NAME	PART B	PART A

RELAY TYPE

		EPOXY RESIN	RESIN	17
UL94 V-0		PBT	CASE	16
		—	TAPE	15
CLASS E		UEW	MAGNETIC WIRE	14
UL94 V-0		PBT	BASE	13
UL94 V-0		PBT	BOBBIN	12
	SOLDER DIP	CP WIRE	COIL TERMINAL	11
UL94 V-0		PPS	CARD	10
		Ag ALLOY	MOVABLE CONTACT	9
		Ag ALLOY	STATIONARY CONTACT	8
		Cu ALLOY	HINGE SPRING	7
	SOLDER DIP	Cu ALLOY	B TERMINAL	6
	SOLDER DIP	Cu ALLOY	M TERMINAL	5
	SOLDER DIP	Cu ALLOY	MOVABLE SPRING	4
		STEEL	CORE	3
		STEEL	ARMATURE	2
		STEEL	YOKE	1
INCOMBUSTIBILITY	TREATMENT	MATERIAL	DESCRIPTION	ITEM

THIS DRAWING IS A CONTROLLED DOCUMENT.		DWN H.SASAKI													
DIMENSIONS: mm		CHK Y.OIKAWA													
TOLERANCES UNLESS OTHERWISE SPECIFIED:		APVD A.NAGAI	NAME OMI-SS-D/LM CUSTOMER DRAWING												
<table border="1"> <tr> <td>0 PLC</td> <td>± -</td> </tr> <tr> <td>1 PLC</td> <td>± -</td> </tr> <tr> <td>2 PLC</td> <td>± -</td> </tr> <tr> <td>3 PLC</td> <td>± -</td> </tr> <tr> <td>4 PLC</td> <td>± -</td> </tr> </table>		0 PLC	± -	1 PLC	± -	2 PLC	± -	3 PLC	± -	4 PLC	± -	PRODUCT SPEC —	DRAWING NO A3 00779 C=8-1419144-1		
0 PLC	± -														
1 PLC	± -														
2 PLC	± -														
3 PLC	± -														
4 PLC	± -														
MATERIAL		FINISH	RESTRICTED TO	—											
—		—	SIZE	CAGE CODE	SCALE 1:1										
—		—	WEIGHT	—	SHEET 2 OF 2										
—		—	CUSTOMER DRAWING		REV F										

## X-ON Electronics

Largest Supplier of Electrical and Electronic Components

*Click to view similar products for [General Purpose Relays](#) category:*

*Click to view products by [TE Connectivity](#) manufacturer:*

Other Similar products are found below :

[PCN-105D3MH,000](#) [59641F200](#) [LY1SAC110120](#) [5X827E](#) [5X837F](#) [5X840F](#) [5X842F](#) [5X848E](#) [LY2N-AC120](#) [LY2S-AC220/240](#) [LY2-US-AC120](#) [LY3-US-AC120](#) [LY4F-UA-DC12](#) [LY4F-UA-DC24](#) [LY4F-US-AC120](#) [LY4F-US-AC240](#) [LY4F-US-DC24](#) [LY4F-VD-AC110](#) [LYQ20DC12](#) [M115C60](#) [M115N010](#) [M115N0150](#) [6031007G](#) [603-12D](#) [61211T0B4](#) [61212T400](#) [61222Q400](#) [61243B600](#) [61243C500](#) [61243Q400](#) [61311BOA2](#) [61311BOA6](#) [61311BOA8](#) [61311C0A2](#) [61311COA1](#) [61311COA6](#) [61311F0A2](#) [61311QOA1](#) [61311QOA4](#) [61311T0D6](#) [61311TOA6](#) [61311TOA7](#) [61311TOB3](#) [61311TOB4](#) [61311U0A6](#) [61312Q600](#) [61312T400](#) [61312T600](#) [61313U200](#) [61313U400](#)