

4 3 2 1

THIS DRAWING IS UNPUBLISHED. RELEASED FOR PUBLICATION

© COPYRIGHT - TE Connectivity Ltd. ALL RIGHTS RESERVED.

P	LTR	DESCRIPTION	DATE	DWN	APVD
	A	INITIAL RELEASE	25JUL2019	RV	DH

2112
(TYPE1, DPDT)
A * * *

AC VOLT.

TERM. BLOCK ASS'Y P/N
32623-01

HDWR. ASS'Y P/N
32661-01

W/H116 ENCL.	32661-02
W/H21 ENCL.	32661-03
W/U COIL	32661-01
W/U COIL&H116	32661-02
W/U COIL&H21	32661-03
W/5&9 ENCL.	32661-04

PACKING ASS'Y P/N
32811-01

ENCL. CODE	ENCLOSURE	PART NO.
H1	HERM. SEALED, PIN CONN.	32768-01
H2	HERM. SEALED, OCTAL CONN.	32769-01
H3	HERM. SEALED, MS CONN.	32770-01
4&4M	OCTAL CONN, ADJ.	32771-01
5&5M	OCTAL CONN, FIXED	32772-01
9&9M	PIN CONN, FIXED	32773-01
14	PIN CONN, ADJ.	32877-01
H21	HERM. SEALED, ADJ.	32774-01
H39	HERM. SEALED, TB CONN.	32775-01
H103	HERM. SEALED, PIN CONN.	32776-01
H116	HERM. SEALED, HEADER CONN.	32777-01
H49	HERM. SEALED, SPL. BRACKET	32852-01
H32	HERM. SEALED, FIXED	32860-01

VOLT. CODE	VOLTAGE	FREQ. HZ.	COIL ASSY. PART NO.
B	12V	60	32227-01
D	24V	60	32227-02
E	48V	60	32227-03
G	60V	60	32227-04
J	208V	60	32227-05
L	440V	60	32227-06
S(1)	120V	60	32227-07
T	240V	60	32227-13
U	115V	25-400	32227-14
V	480V	60	32227-15

TIME CODE	RANGE	TIME COMP. ASS'Y P/N	TIME HEAD ASS'Y P/N
A	.03-.1 SEC.	32622-01	32606-04
B	.1-.3 SEC.	32622-02	
C	.15-1 SEC.	32622-03	
D	.375-3.0 SEC.	32622-04	
E	.75-10.0 SEC.	32622-05	
F	1.0-30 SEC.	32622-06	
G	2.0-60 SEC.	32622-07	
H	5-120 SEC.	32622-08	
J	5-180 SEC.	32622-09	
K	1.5-30 CYC.	32622-10	
L	3.0-120.0 CYC.	32622-11	

Ordering Information for Industrial Models

Typical Part No. > 21 1 2 D 4 N B

1. Basic Series:
21 = 2100 Miniature electropneumatic timing relay

2. Operation:
1 = On-delay 2 = Off-delay

3. Contact Arrangement:
2 = DPDT (2 form C)

4. Operating Voltage:
A = AC D = DC

5. Physical Characteristics:

Code	Enclosure	Adjustment	Connector	Mounting
4 =	Unsealed	External Knob	Octal Plug	Chassis Mount
5 =	Unsealed	Internal Key	Octal Plug	Chassis Mount
9 =	Unsealed	Internal Key	Solder Hook	Panel Mount Plate

6. Coil Voltage:
M = 12VDC N = 28VDC P = 48VDC R = 110VDC Y = 125VDC
S = 120VAC, 50/60 Hz. T = 240VAC, 60 Hz.

7. Timing Range:
A = .03 to .1 sec. C = .15 to 1.0 sec. E = .75 to 10.0 sec. H = 5.0 to 120.0 sec. K = 1.5 to 30.0 cycles
B = .1 to .3 sec. D = .375 to 3.0 sec. F = 1.0 to 30.0 sec. J = 5.0 to 180.0 sec. L = 3.0 to 120.0 cycles
G = 2.0 to 60.0 sec.

Ordering Information for Hermetically Sealed & Unsealed Models

Typical Part No. > 21 1 2 D H1 N B

1. Basic Series:
21 = 2100 Miniature electropneumatic timing relay

2. Operation:
1 = On-delay 2 = Off-delay

3. Contact Arrangement:
2 = DPDT (2 form C)

4. Operating Voltage:
A = AC D = DC

5. Physical Characteristics:

Code	Enclosure	Adjustment	Connector	Mounting
H1 =	Hermetically Sealed	External Screw	Solder Hook	Panel Mount Plate
H2 =	Hermetically Sealed	External Screw	Octal Plug	Chassis Mount
H3 =	Hermetically Sealed	External Screw	"AN" Connector	Panel Mount Plate
4 =	Unsealed	External Knob	Octal Plug	Chassis Mount
5 =	Unsealed	Internal Key	Octal Plug	Chassis Mount
9 =	Unsealed	Internal Key	Solder Hook	Panel Mount Plate

6. Coil Voltage:
M = 12VDC N = 28VDC P = 48VDC R = 110VDC Y = 125VDC
S = 120VAC, 50/60 Hz. T = 240VAC, 60 Hz. U = 115VAC, 400 Hz.

7. Timing Range:
A = .03 to .1 sec. C = .15 to 1.0 sec. E = .75 to 10.0 sec. H = 5.0 to 120.0 sec. K = 1.5 to 30.0 cycles
B = .1 to .3 sec. D = .375 to 3.0 sec. F = 1.0 to 30.0 sec. J = 5.0 to 180.0 sec. L = 3.0 to 120.0 cycles
G = 2.0 to 60.0 sec.

Our authorized distributors are more likely to maintain the following items in stock for immediate delivery.

None at present.

-4 -5 -9

Our authorized distributors are more likely to maintain the following items in stock for immediate delivery.

None at present.

THIS DRAWING IS A CONTROLLED DOCUMENT.		DWN RV 25JUL2019		
		CHK RV 25JUL2019		
APVD DH 25JUL2019		NAME		
PRODUCT SPEC		2100 SERIES TIMING RELAY		
APPLICATION SPEC		-		
MATERIAL		SIZE A3	CAGE CODE xxxxx	DRAWING NO. C=2100-SERIES
FINISH		RESTRICTED TO		
CUSTOMER DRAWING		WEIGHT	SCALE NTS	SHEET 1 of 2
		REV A		

1470-19 (1/15)

THIS DRAWING IS UNPUBLISHED.

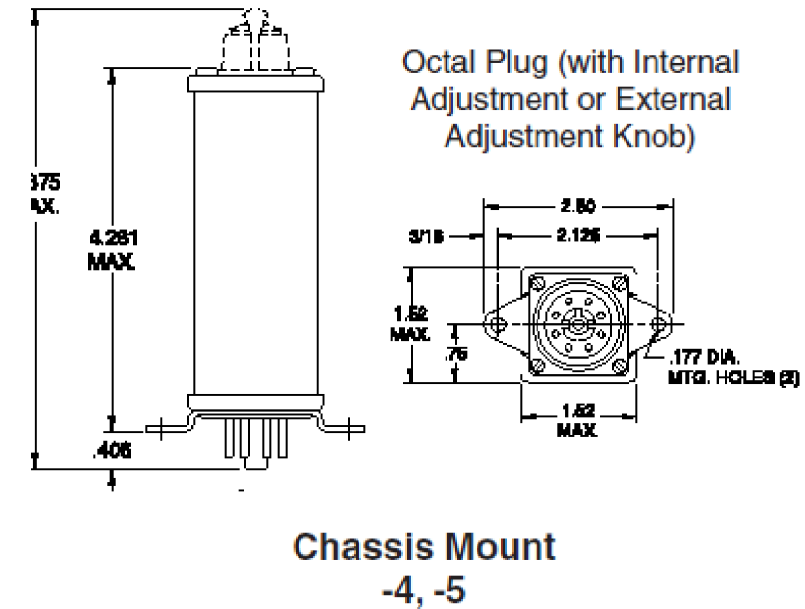
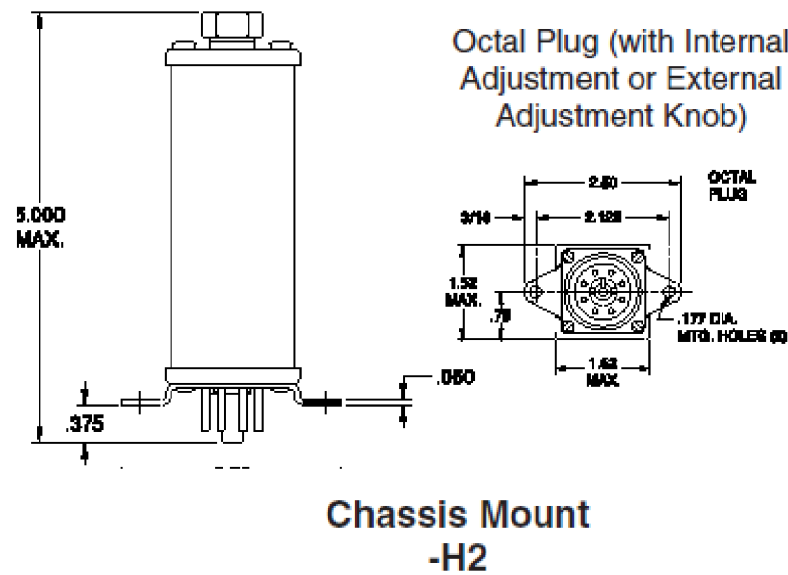
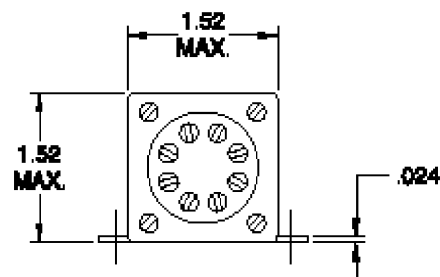
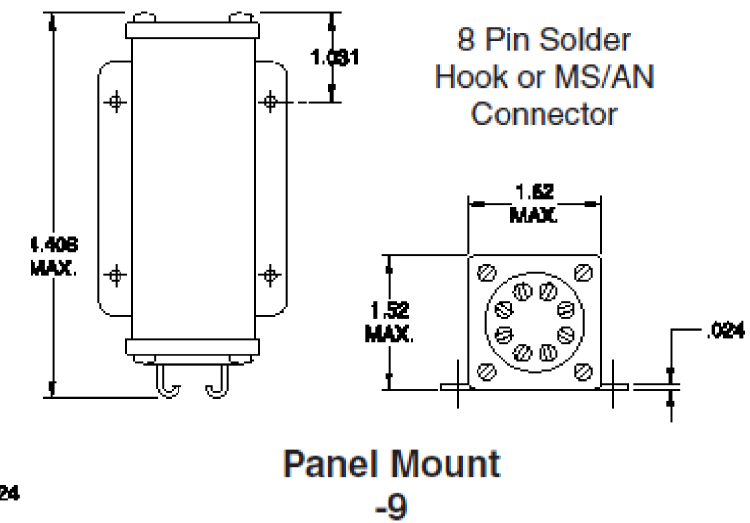
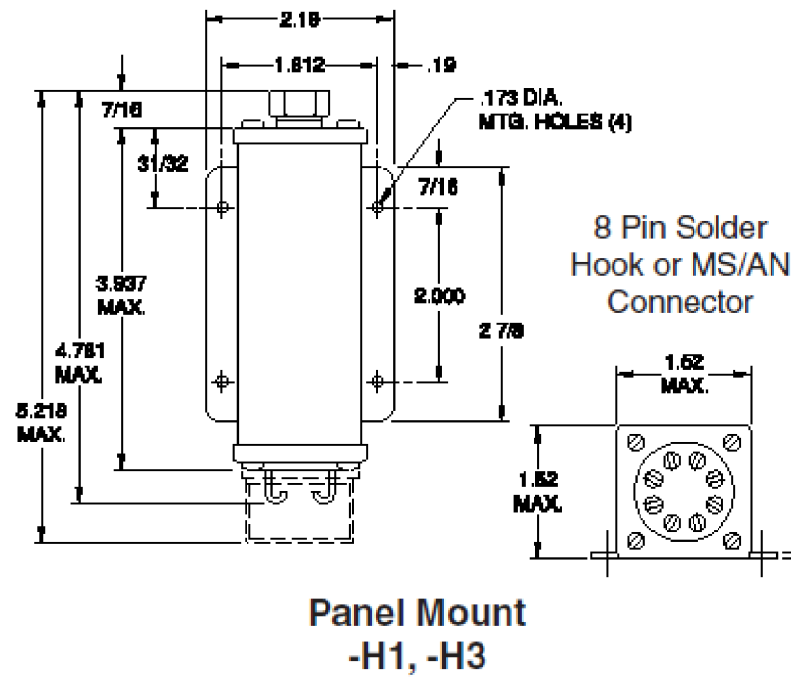
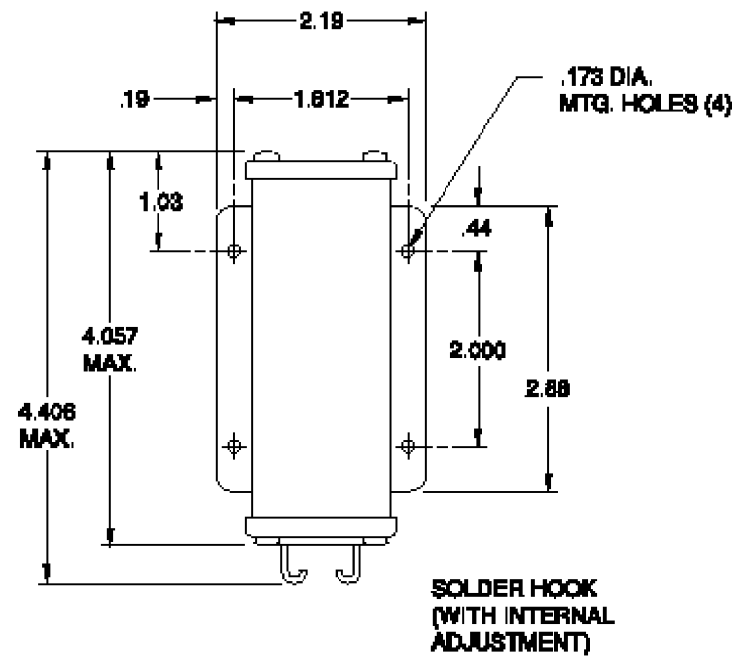
RELEASED FOR PUBLICATION

ALL RIGHTS RESERVED.

© COPYRIGHT - TE Connectivity Ltd.

REVISIONS

P	LTR	DESCRIPTION	DATE	DWN	APVD
-	-	SEE SHEET 1	-	-	-



THIS DRAWING IS A CONTROLLED DOCUMENT.

DWN RV 25JUL2019

CHK RV 25JUL2019

APVD DH 25JUL2019

PRODUCT SPEC

APPLICATION SPEC

WEIGHT -

CUSTOMER DRAWING

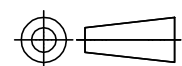
TE TE Connectivity

NAME
2100 SERIES TIMING RELAY
-
-

SIZE	CAGE CODE	DRAWING NO	RESTRICTED TO
A3	-	©=2100-SERIES	-

DIMENSIONS: INCHES

TOLERANCES UNLESS OTHERWISE SPECIFIED:



0 PLC	± -
1 PLC	± -
2 PLC	± -
3 PLC	± -
4 PLC	± -
ANGLES	± -
FINISH	-

MATERIAL -

SCALE NTS SHEET 2 of 2 REV A

X-ON Electronics

Largest Supplier of Electrical and Electronic Components

Click to view similar products for [Time Delay & Timing Relays](#) category:

Click to view products by [TE Connectivity](#) manufacturer:

Other Similar products are found below :

[7012GD](#) [7012L10BN](#) [7012L10DY1N](#) [7012L10FN](#) [7012L10HN](#) [7012L26K](#) [7012L8AI2LLSN](#) [7012L8BN](#) [7012L8KN](#) [7012OBILM](#)
[7012OIT](#) [7012PALL](#) [7012PDM](#) [7012PFX](#) [7022L10DN](#) [7022L8BN](#) [7022L8EN](#) [7022L8HN](#) [7022X3D](#) [7024NB](#) [7024SCT](#) [88256455](#) [H3BG-](#)
[N8H](#) [AC110V](#) [H3CRF8AC2448DC1248](#) [1423151-3](#) [1423154-8](#) [1423462-7](#) [1423618-6](#) [1423151-5](#) [1423156-7](#) [1423618-4](#) [2112AH1SDC947](#)
[2122DH1NJC467](#) [2122DH1PE](#) [2-1617805-2](#) [2-1617805-6](#) [K61C-08](#) [286XCXC-300-24D](#) [SCBRX022XXACXAC991](#) [SHS10S110A](#)
[SHS20M220A](#) [1755074-5](#) [SSC12AKA](#) [FAASPRING2](#) [2112DH3NDC50-13](#) [2122DH34NDC629](#) [2-1437479-8](#) [2-1617805-1](#) [2-1617805-3](#) [2-](#)
[1617805-7](#)