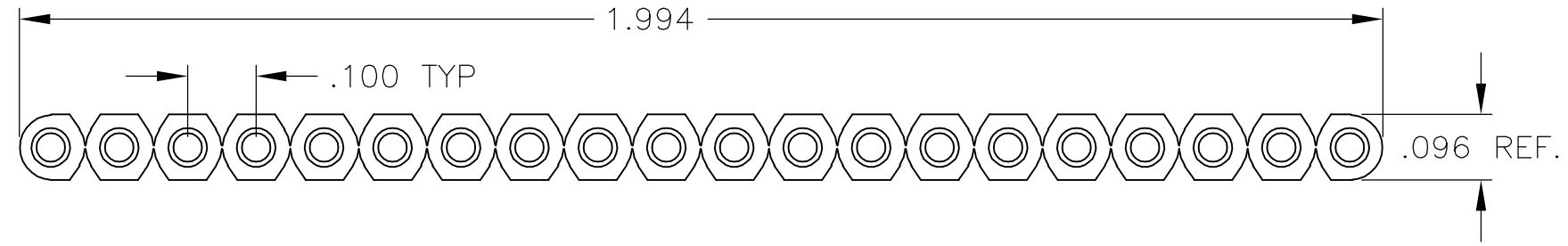
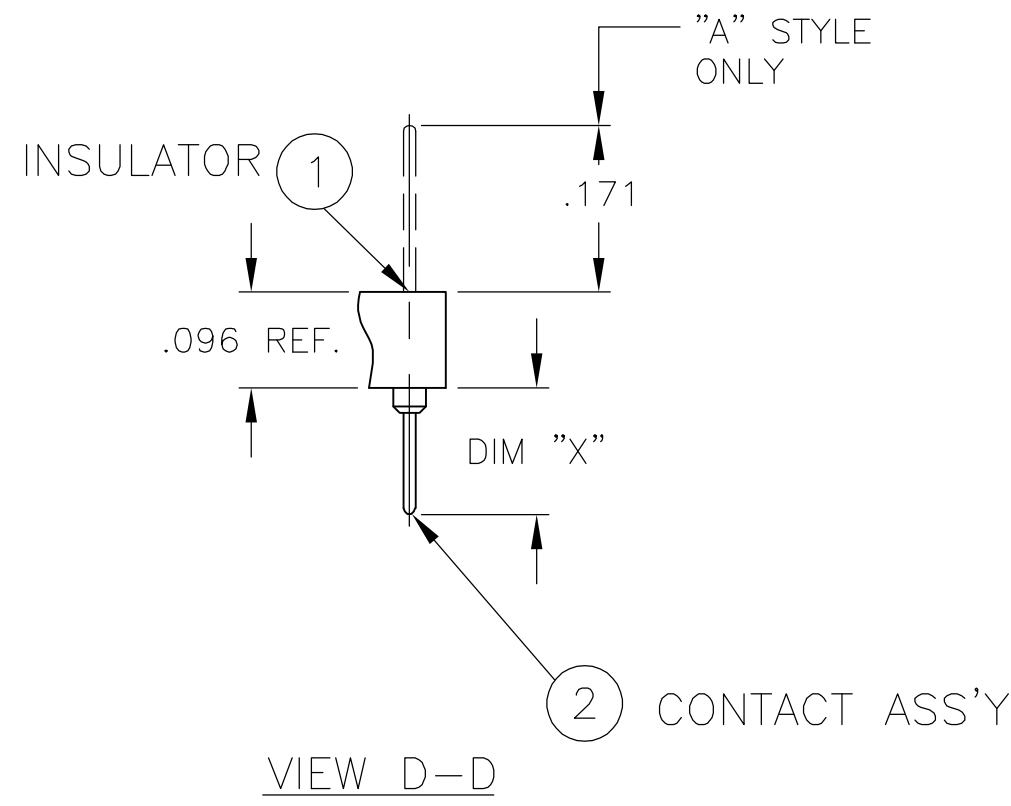


THIS DRAWING IS UNPUBLISHED. RELEASED FOR PUBLICATION
 © COPYRIGHT BY TYCO ELECTRONICS CORPORATION. ALL RIGHTS RESERVED.

LOC	DIST	REVISIONS					
AD	00	P	LTR	DESCRIPTION	DATE	DWN	APVD
		0		EC 0G3C-0388-03	14SEP2004	BSV	KW

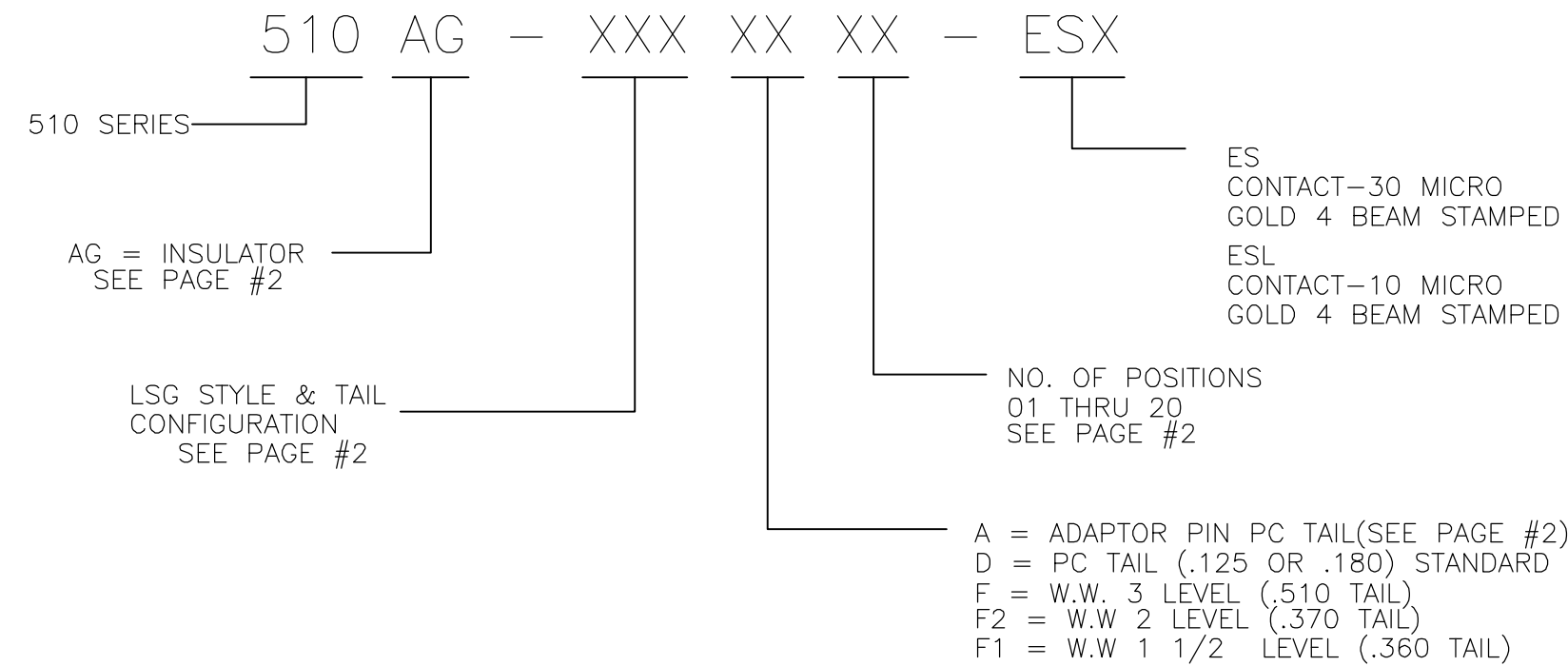


LSG STYLE	TAIL TYPE	DIM "X"
D	.125 P.C.	.210/.180
A	ADAPTOR PIN	.211/.183
D	.180 P.C.	.265/.235
F1	1 1/2 LEVEL W.W	.370/.340
F2	2 LEVEL W.W	.480/.450
F	3 LEVEL W.W	.620/.590

- NOTES:
 MATERIAL & FINISH:
 1. INSULATOR :
 a) ADAPTOR PINS .125 & .180 P.C TAILS- THERMOPLASTIC POLYESTER(BLACK) P.E.T RATED 94V-0.
 b) W.W TAILS - THERMOPLASTICPOLYESTER (BALCK) P.B.T RATED 94V-0
 2. CONTACT ASS'Y - SEE PAGE 2.
 3. (*) DENOTES PACKAGING TO BE 100063-54.
 4. POSITIONS 1 THRU 4 TO BE PACKAGED IN ANTISTATIC BAG IN QTY'S OF 2,500 PCS

0.083	0.079	0.075	0.071	0.067	0.063	0.058	0.054	0.05	0.046	0.042	0.038	0.033	0.029	0.025	0.02	(SEE NOTE 4)				PACKAGING (NOT SHOWN)	100063-23	3
20	19	18	17	16	15	14	13	12	11	10	9	8	7	6	5	4	3	2	1	CONTACT ASSY. (P.C TAIL LSG'S)	SEE PAGES 2,4, & 6	2
1	1	1	1	1	1	1	1	1	1	0.5	0.5	0.5	0.5	0.33	0.25	0.2	0.17	0.1	0.05	INSULATOR (ADAPTOR PINS .125 & .180 P.C TAILS)	820-5P1	1
QTY.	QTY.	QTY.	QTY.	QTY.	QTY.	QTY.	QTY.	QTY.	QTY.	QTY.	QTY.	QTY.	QTY.	QTY.	QTY.	QTY.	QTY.	QTY.	QTY.	POSITIONS	PART NUMBER	ITEM NO.
20	19	18	17	16	15	14	13	12	11	10	09	08	07	06	05	04	03	02	01	B.O.M FOR P.C. TAIL SOCKET ASSEMBLIES		

0.083	0.079	0.075	0.071	0.067	0.063	0.058	0.054	0.05	0.046	0.042	0.038	0.033	0.029	0.025	0.02	(SEE NOTE 4)				PACKAGING (NOT SHOWN)	100063-23	3
20	19	18	17	16	15	14	13	12	11	10	9	8	7	6	5	4	3	2	1	CONTACT ASSY. (W.W. TAIL LSG'S)	SEE PAGES 2,4, & 6	2
1	1	1	1	1	1	1	1	1	1	0.5	0.5	0.5	0.5	0.33	0.25	0.2	0.17	0.1	0.05	INSULATOR (W.W. TAILS)	820-5P1	1
QTY.	QTY.	QTY.	QTY.	QTY.	QTY.	QTY.	QTY.	QTY.	QTY.	QTY.	QTY.	QTY.	QTY.	QTY.	QTY.	QTY.	QTY.	QTY.	QTY.	POSITIONS	PART NUMBER	ITEM NO.
20	19	18	17	16	15	14	13	12	11	10	09	08	07	06	05	04	03	02	01	B.O.M FOR P.C. TAIL SOCKET ASSEMBLIES		



THIS DRAWING IS A CONTROLLED DOCUMENT.		DWN BSV	14SEP2004	tyco Tyco Electronics Corporation	
DIMENSIONS: INCHES		CHK -	APVD K WRIGHT	Harisburg, Pa 17105-3808	
TOLERANCES UNLESS OTHERWISE SPECIFIED:		APVD -	PRODUCT SPEC	ASSEMBLY SOCKET (.510 SERIES. S.I.P)	
0 PLC ± -		APVD -	APPLICATION SPEC	SIZE A2	CAGE CODE 00779
1 PLC ± -		APVD -	WEIGHT -	DRAWING NO C=1437530-5	RESTRICTED TO -
2 PLC ± -		APVD -	CUSTOMER DRAWING	SCALE 4:1	SHEET 1 OF 3
3 PLC ± -		APVD -		REV 0	
4 PLC ± -		APVD -			
ANGLES ± -		APVD -			
FINISH -		APVD -			

THIS DRAWING IS UNPUBLISHED. RELEASED FOR PUBLICATION
 © COPYRIGHT BY TYCO ELECTRONICS CORPORATION. ALL RIGHTS RESERVED.

LOC	DIST	REVISIONS					
		P	LTR	DESCRIPTION	DATE	DWN	APVD
AD	00	-	-	SEE SHEET 1	-	-	-

(D) STANDARD .125 P.C TAIL LSG CONFIGURATIONS AND PLATING

LSG-1AGXXX-1
 SLEEVE - TAPERED ENTRY BRASS. GOLD PLATE 10 MICRON AVG.
 CONTACT - TAPERED ENTRY BERY. COPPER. GOLD PLATE 30 MICRON AVG.

LSG-1AGXXX-14
 SLEEVE - TAPERED ENTRY COPPER. TIN/LEAD PLATE.
 CONTACT - TAPERED ENTRY BERY. COPPER. GOLD PLATE 30 MICRON AVG.

LSG-1AGXXX-27
 SLEEVE - TAPERED ENTRY COPPER. TIN/LEAD PLATE.
 CONTACT - TAPERED ENTRY BERY. TIN/LEAD PLATE.

LSG-1AGXXX-30
 SLEEVE - TAPERED ENTRY COPPER. TIN/LEAD PLATE.
 CONTACT - TAPERED ENTRY BERY. COPPER. GOLD PLATE 10 MICRON AVG.

LSG-1AGXXX-31
 SLEEVE - TAPERED ENTRY COPPER. TIN/LEAD PLATE.
 CONTACT - TAPERED ENTRY BERY. COPPER. GOLD PLATE 50 MICRON AVG.

LSG-1AGXXX-32
 SLEEVE - TAPERED ENTRY BRASS GOLD PLATE. 10 MICRON AVG.
 CONTACT - TAPERED ENTRY BERY. COPPER. GOLD PLATE 10 MICRON AVG.

LSG-1AGXXX-33
 SLEEVE - TAPERED ENTRY COPPER. GOLD PLATE. 10 MICRON AVG.
 CONTACT - TAPERED ENTRY BERY. COPPER. GOLD PLATE 50 MICRON AVG.

LSG-1AGXXX-35
 SLEEVE - TAPERED ENTRY COPPER. GOLD PLATE. 10 MICRON AVG.
 CONTACT - TAPERED ENTRY BERY. COPPER. TIN/LEAD PLATE.
 (ONLY AVAILABLE WITH LSG-1AG106-XX)

LSG-1AGXXX-36
 SLEEVE - TAPERED ENTRY COPPER. TIN/LEAD PLATE.
 CONTACT - TAPERED ENTRY BERY. COPPER. GOLD PLATE 50 MICRON AVG.
 (ONLY AVAILABLE WITH LSG-1AG106-XX)

(D) STANDARD .125 P.C. TAIL LSG DESCRIPTIONS

LSG-1AG74-XX
 SLEEVE - MACHINED TAPERED ENTRY BRASS.
 CONTACT - NORMAL FORCE :4 BEAM MACHINED.

LSG-1AG75-XX
 SLEEVE - MACHINED TAPERED ENTRY BRASS.
 CONTACT - NORMAL FORCE :4 BEAM STAMPED.

LSG-1AG106-XX
 SLEEVE - COLD-HEADED TAPERED ENTRY COPPER.
 CONTACT - NORMAL FORCE :4 BEAM MACHINED.

LSG-1AG255-XX
 SLEEVE - COLD HEADED TAPERED ENTRY COPPER.
 CONTACT - NORMAL FORCE :4 BEAM STAMPED.

LSG-1AG344-XX
 SLEEVE - MACHINED TAPERED ENTRY BRASS.
 CONTACT - NORMAL FORCE :4 BEAM MACHINED.

LSG-1AG106-XX
 SLEEVE - COLD-HEADED TAPERED ENTRY COPPER.
 CONTACT - NORMAL FORCE :4 BEAM MACHINED.

(D) STANDARD .180 P.C TAIL LSG CONFIGURATIONS AND PLATING

LSG-1AGXXX-1
 SLEEVE - TAPERED ENTRY BRASS. GOLD PLATE 10 MICRON AVG.
 CONTACT - TAPERED ENTRY BERY. COPPER. GOLD PLATE 30 MICRON AVG.

LSG-1AGXXX-14
 SLEEVE - TAPERED ENTRY BRASS. TIN/LEAD PLATE.
 CONTACT - TAPERED ENTRY BERY. COPPER. GOLD PLATE 30 MICRON AVG.

LSG-1AGXXX-27
 SLEEVE - TAPERED ENTRY BRASS. TIN/LEAD PLATE.
 CONTACT - TAPERED ENTRY BERY. TIN/LEAD PLATE.

LSG-1AGXXX-30
 SLEEVE - TAPERED ENTRY BRASS. TIN/LEAD PLATE.
 CONTACT - TAPERED ENTRY BERY. COPPER. GOLD PLATE 50 MICRON AVG.

LSG-1AGXXX-31
 SLEEVE - TAPERED ENTRY COPPER. TIN/LEAD PLATE.
 CONTACT - TAPERED ENTRY BERY. COPPER. GOLD PLATE 50 MICRON AVG.

LSG-1AGXXX-32
 SLEEVE - TAPERED ENTRY BRASS GOLD PLATE. 10 MICRON AVG.
 CONTACT - TAPERED ENTRY BERY. COPPER. GOLD PLATE 10 MICRON AVG.

LSG-1AGXXX-33
 SLEEVE - TAPERED ENTRY BRASS. GOLD PLATE. 10 MICRON AVG.
 CONTACT - TAPERED ENTRY BERY. COPPER. GOLD PLATE 50 MICRON AVG.

(A) ADAPTOR PIN -P.C. TAIL PLATING

8128-XXXP3 - GOLD PLATED. 10 MICRON AVG.

8128-XXXP5 - TIN/LEAD PLATED

(D) STANDARD .180 P.C. TAIL LSG DESCRIPTIONS

LSG-1AG76-XX
 SLEEVE - MACHINED TAPERED ENTRY BRASS.
 CONTACT - NORMAL FORCE :4 BEAM MACHINED.

LSG-1AG133-XX
 SLEEVE - MACHINED TAPERED ENTRY BRASS.
 CONTACT - NORMAL FORCE :4 BEAM STAMPED.

LSG-1AG345-XX
 SLEEVE - MACHINED TAPERED ENTRY BRASS.
 CONTACT - NORMAL FORCE :4 BEAM MACHINED.

(A) ADAPTOR PIN -P.C. TAIL PIN DESCRIPTION

8128-195PX - MACHINED BRASS.

(F) STANDARD .WIREWRAP TAIL LSG CONFIGURATIONS AND PLATING

LSG-1AGXXX-1
 SLEEVE - TAPERED ENTRY BERY. COPPER. GOLD PLATE 10 MICRON AVG.
 CONTACT - TAPERED ENTRY BERY. COPPER. GOLD PLATE 30 MICRON AVG.

LSG-1AGXXX-14
 SLEEVE - TAPERED ENTRY BERY. COPPER. TIN/LEAD PLATE.
 CONTACT - TAPERED ENTRY BERY. COPPER. GOLD PLATE 30 MICRON AVG.

LSG-1AGXXX-27
 SLEEVE - TAPERED ENTRY BERY. COPPER. TIN/LEAD PLATE.
 CONTACT - TAPERED ENTRY BERY. TIN/LEAD PLATE.

LSG-1AGXXX-30
 SLEEVE - TAPERED ENTRY BERY. COPPER. TIN/LEAD PLATE.
 CONTACT - TAPERED ENTRY BERY. COPPER. GOLD PLATE 10 MICRON AVG.

LSG-1AGXXX-31
 SLEEVE - TAPERED ENTRY BERY. COPPER. TIN/LEAD PLATE.
 CONTACT - TAPERED ENTRY BERY. COPPER. GOLD PLATE 50 MICRON AVG.

LSG-1AGXXX-32
 SLEEVE - TAPERED ENTRY BERY. COPPER. GOLD PLATE. 10 MICRON AVG.
 CONTACT - TAPERED ENTRY BERY. COPPER. GOLD PLATE 10 MICRON AVG.

LSG-1AGXXX-33
 SLEEVE - TAPERED ENTRY BERY. COPPER. GOLD PLATE. 10 MICRON AVG.
 CONTACT - TAPERED ENTRY BERY. COPPER. GOLD PLATE 50 MICRON AVG.

(F) STANDARD WIREWRAP TAIL LSG DESCRIPTIONS

F LSG-1FG41-XX
 F2 LSG-1FG40-XX
 F1 LSG-1FG46-XX
 SLEEVE - TAPERED ENTRY BERY. COPPER.
 CONTACT - NORMAL FORCE 4 BEAM MACHINED.

F LSG-1FG58-XX
 F2 LSG-1FG59-XX
 F1 LSG-1FG126-XX
 SLEEVE - TAPERED ENTRY BERY. COPPER.
 CONTACT - LOW FORCE : 4 BEAM MACHINED.

F LSG-1FG86-XX
 F2 LSG-1FG87-XX
 F1 LSG-1FG43-XX
 SLEEVE - TAPERED ENTRY BERY. COPPER.
 CONTACT - NORMAL FORCE 4 BEAM STAMPED.

F LSG-1FG84-XX
 F2 LSG-1FG83-XX
 SLEEVE - TAPERED ENTRY BERY. COPPER.
 CONTACT - NORMAL FORCE 4 BEAM MACHINED.
 *(F1 NOT NEEDED AT PRESENT)

F LSG-1FG162-XX
 F2 LSG-1FG161-XX
 SLEEVE - TAPERED ENTRY BERY. COPPER.
 CONTACT - NORMAL FORCE : 4 BEAM MACHINED.
 *(F1 NOT NEEDED AT PRESENT)

THIS DRAWING IS A CONTROLLED DOCUMENT.		DWN BSV	14SEP2004	tyco Electronics		Tyco Electronics Corporation Harisburg, Pa 17105-3808	
DIMENSIONS: INCHES		TOLERANCES UNLESS OTHERWISE SPECIFIED:	CHK -	APVD K WRIGHT	NAME 0 (.510 SERIES. S.I.P)		
		0 PLC ± - 1 PLC ± - 2 PLC ± - 3 PLC ± - 4 PLC ± - ANGLES ± -	APVD -	PRODUCT SPEC -	SIZE A2	CAGE CODE 00779	DRAWING NO C=1437530-5
MATERIAL -	FINISH -	WEIGHT -	APVD -	APPLICATION SPEC -	RESTRICTED TO -	SCALE 1:1 SHEET 3 OF 3 REV 0	
CUSTOMER DRAWING							

X-ON Electronics

Largest Supplier of Electrical and Electronic Components

Click to view similar products for IC & Component Sockets category:

Click to view products by TE Connectivity manufacturer:

Other Similar products are found below :

[0066-3-17-15-30-14-02-0](#) [670](#) [672](#) [673](#) [694-13-640-00-672-000](#) [712-93-120-41-001000](#) [714-93-104-31-018000](#) [8059-4G1-LF](#) [807-22-001-10-001101](#) [807-22-001-10-006101](#) [807-22-001-30-011101](#) [807-22-001-30-012101](#) [807-22-001-30-013101](#) [807-22-001-30-014101](#) [8-1437531-4](#) [8150-6P10](#) [833-93-034-10-001000](#) [851-41-006-10-001000](#) [851-43-008-20-001000](#) [851-43-014-20-001000](#) [851-93-006-20-001000](#) [851-93-010-20-001000](#) [853-43-020-10-001000](#) [86.010.0053.0](#) [116-43-308-41-007000](#) [PX-68LCC](#) [121-13-318-41-001000](#) [121-13-320-41-001000](#) [121-13-308-41-001000](#) [123-43-314-41-801000](#) [123-43-420-41-001000](#) [122-13-316-41-001000](#) [123-13-624-41-001000](#) [123-43-306-41-001000](#) [12-3513-11](#) [123-91-320-41-001000](#) [126-43-310-41-002000](#) [AKSUN 37V-T](#) [1437503-9](#) [1437504-1](#) [146-44-308-41-013000](#) [146-43-308-41-012000](#) [160-10-308-00-001000](#) [160-40-320-00-001000](#) [214-99-306-01-670800](#) [232-1270-02-0602](#) [2-382761-4](#) [2-5331677-4](#) [2-640360-3](#) [2801-2-00-50-00-00-07-0](#)