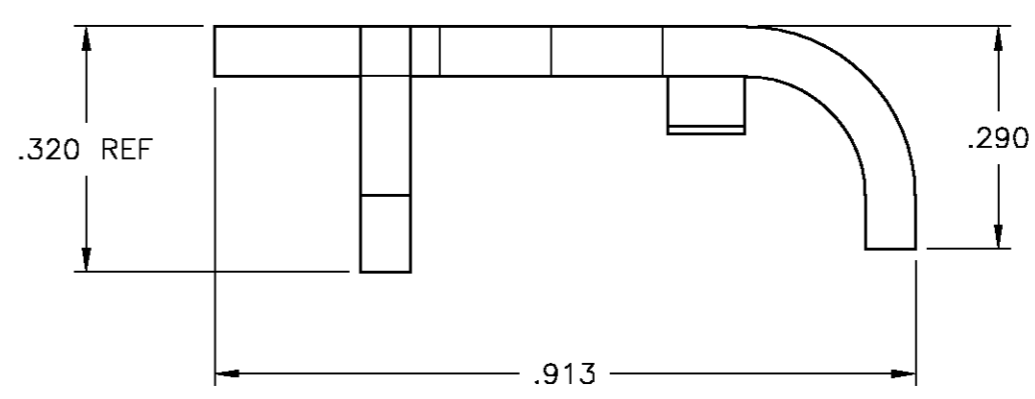
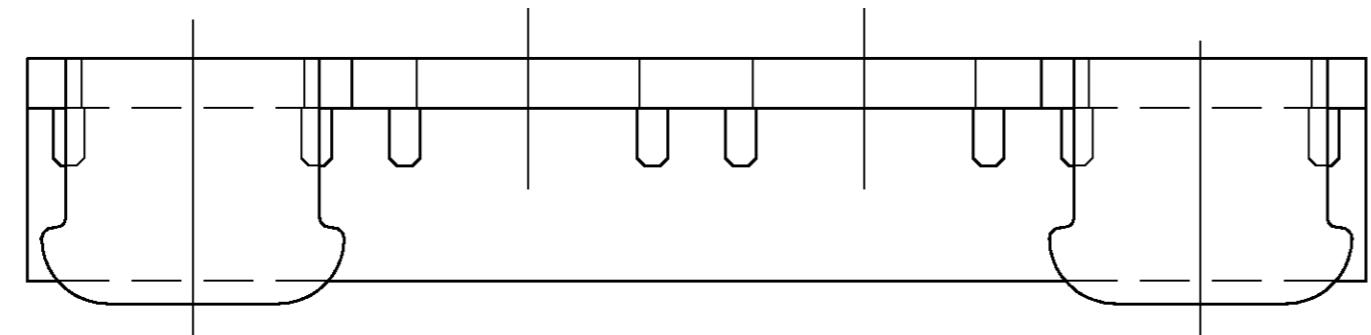
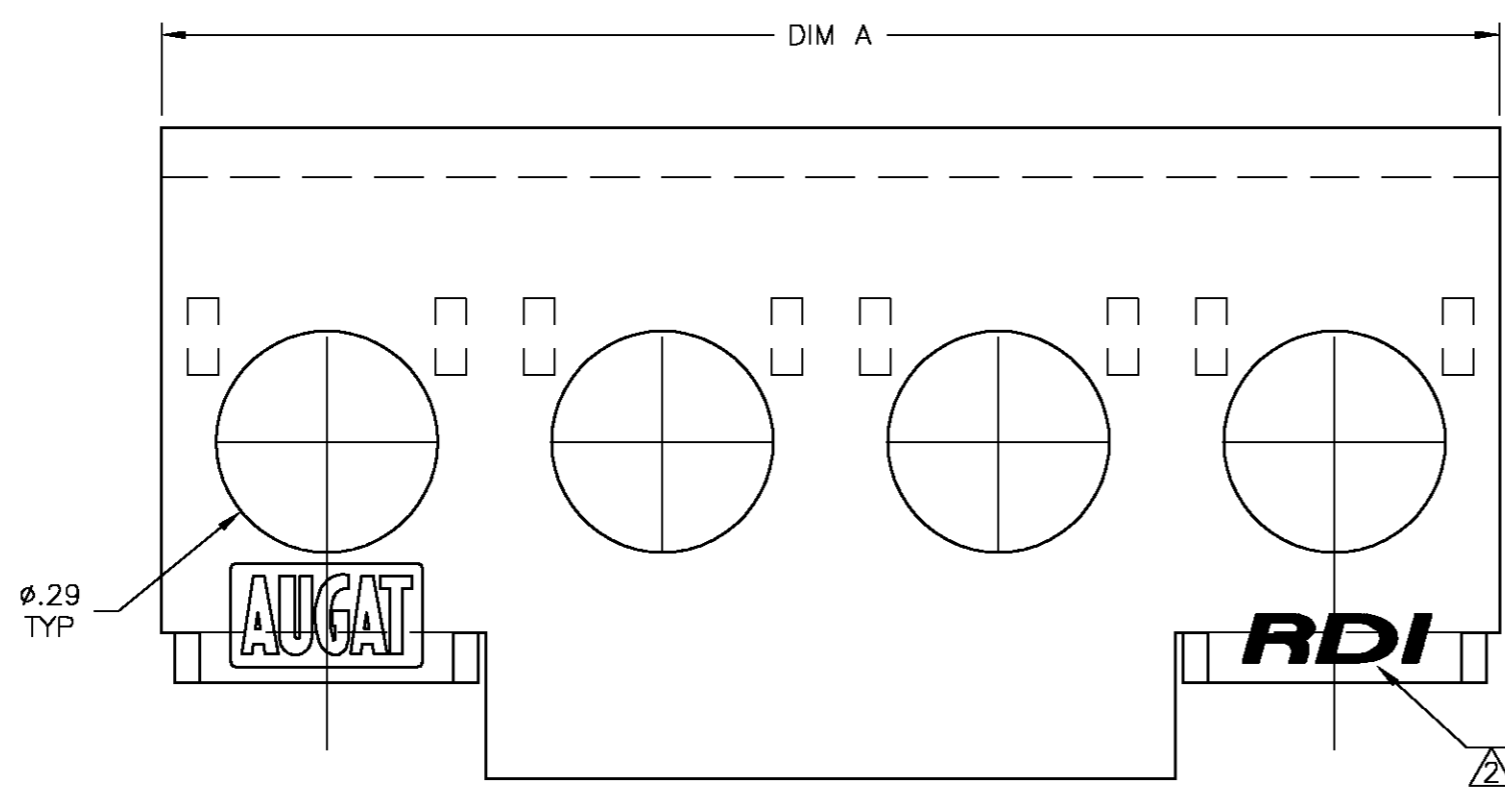


THIS DRAWING IS UNPUBLISHED. RELEASED FOR PUBLICATION  
 © COPYRIGHT BY TYCO ELECTRONICS CORPORATION. ALL RIGHTS RESERVED.

LOC	DIST	REVISIONS					
FT	0	P	LTR	DESCRIPTION	DATE	DWN	APVD
		0		REVISED PER 0G3B-1207-04	1/12/05	SS	SRY

NOTES:  
 1. MATERIAL: POLYPHENYLENE OXIDE UL94V-0, BLACK.  
 2. POSITION HAS RDI LOGO OMITTED.  
 3. FOR USE WITH 8 SERIES BARRIER STRIPS.



DIM A	NO. OF POS.	CATALOG NUMBER	PART NUMBER
6.993	16	TC8-16-PFHH	1-1776367-6
6.555	15	TC8-15-PFH	1-1776367-5
6.118	14	TC8-14-PFH	1-1776367-4
5.680	13	TC8-13-PFH	1-1776367-3
5.243	12	TC8-12-PFH	1-1776367-2
4.805	11	TC8-11-PFH	6-1437661-3
4.368	10	TC8-10-PFH	6-1437661-2
3.930	9	TC8-09-PFH	7-1437661-9
3.493	8	TC8-08-PFH	6-1437661-0
3.055	7	TC8-07-PFH	5-1437661-8
2.618	6	TC8-06-PFH	5-1437661-6
2.180	5	TC8-05-PFH	5-1437661-4
1.743	4	TC8-04-PFH	5-1437661-2
1.305	3	TC8-03-PFH	5-1437661-0
.868	2	TC8-02-PFH	7-1437661-5

THIS DRAWING IS A CONTROLLED DOCUMENT.		DWN S SCHLEGEL 1/12/05	<b>BUCHANAN</b> Tyco Electronics Corporation Harrisburg, PA 17105	
DIMENSIONS: INCHES		CHK S YODER 1/12/05		
TOLERANCES UNLESS OTHERWISE SPECIFIED:		APVD S YODER 1/12/05	NAME TC8-XX-PFH PRESS FIT TERMINAL BLOCK COVER, W/ HOLES	
0 PLC ± - 1 PLC ± - 2 PLC ± - 3 PLC ± .010 4 PLC ± - ANGLES ± - FINISH -		PRODUCT SPEC - APPLICATION SPEC -		
MATERIAL	-	WEIGHT	SIZE A2	CAGE CODE 00779
CUSTOMER DRAWING		SCALE 4:1	DRAWING NO C=5-1437661-0	RESTRICTED TO -
		SHEET 1	OF 1	REV 0

5-1437661-0

## X-ON Electronics

Largest Supplier of Electrical and Electronic Components

*Click to view similar products for [Terminal Block Tools & Accessories](#) category:*

*Click to view products by [TE Connectivity](#) manufacturer:*

Other Similar products are found below :

[1029563](#) [00171430102](#) [00171420102](#) [014415](#) [CSTSPC1-2](#) [9-1437653-4](#) [928358-1](#) [HCL10-6](#) [1437403-6](#) [1437403-9](#) [1437403-8](#) [147832-1](#)  
[EC0037-000](#) [MT2/H--](#) [MT2/H-32](#) [MT6/H-N](#) [MT6/V-GRND](#) [MT8/H-101-110](#) [BB2-09BF](#) [EP2.5/4UN/BG](#) [1707755](#) [1735590](#) [1755480](#)  
[1760336](#) [1789281](#) [1840227](#) [1840230](#) [2-1437402-1](#) [2-1437644-9](#) [JB2-09/J](#) [2202307](#) [2204082](#) [2302463](#) [2305949](#) [2310581](#) [8TK2-24](#)  
[91.201.1](#) [L2U2](#) [2778.0](#) [2901107](#) [2901123](#) [2901699](#) [2MP/J](#) [2MV-06](#) [1705126](#) [F03-25](#) [1810532](#) [1933011](#) [AMMC-6](#) [2200092](#)