

THIS DRAWING IS UNPUBLISHED. RELEASED FOR PUBLICATION

© COPYRIGHT - By - ALL RIGHTS RESERVED.

|     |      |           |     |                           |           |     |      |
|-----|------|-----------|-----|---------------------------|-----------|-----|------|
| LOC | DIST | REVISIONS |     |                           |           |     |      |
| FT  | 0    | P         | LTR | DESCRIPTION               | DATE      | DWN | APVD |
|     |      |           | F3  | REVISED PER ECO-13-015432 | 01OCT2013 | KH  | MM   |

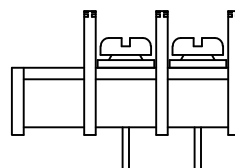
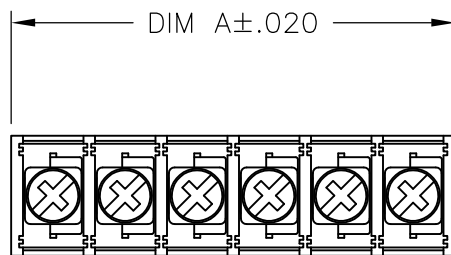
**MATERIALS:**  
 HOUSING: POLYAMIDE, UL94V-0, BLACK.  
 TERMINALS: COPPER ALLOY, TIN PLATED.  
 SCREWS: STEEL, ZINC PLATED.

**ELECTRICAL:**  
 RATING: 20A, UL & CSA.

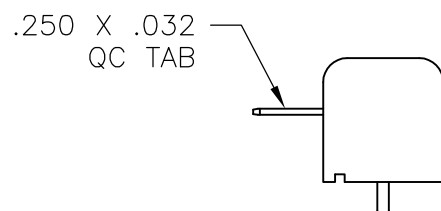
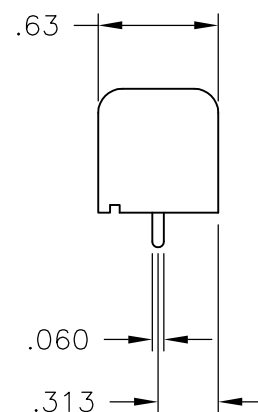
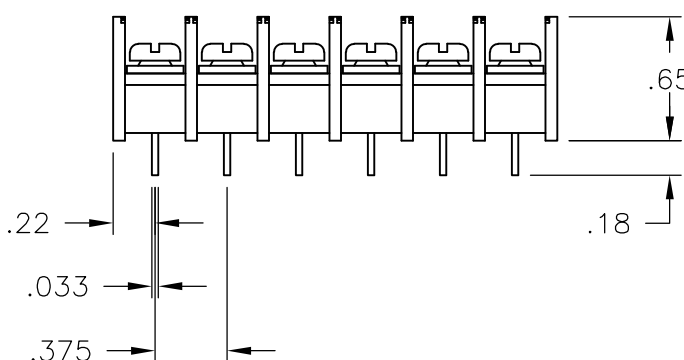
**MECHANICAL:**  
 WIRE RANGE: 12-22 AWG.  
 MAXIMUM TIGHTENING TORQUE: 7 IN-LBS.

**ENVIRONMENTAL:**  
 CONTINUOUS OPERATING TEMP.: -40°C TO +105°C.

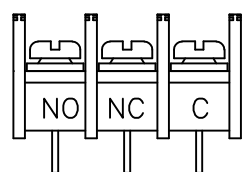
- 1 PRELIMINARY PART NUMBER.
- 2 SCREWS ARE BOTTOMED, NO THREAD INTERRUPT.
- 3 OBSOLETE PART NUMBER.
- 4 CAPTIVE SCREWS BACKED OUT TO 1.3 IN-LB TORQUE.
- 5 OBSOLETE PARTS: OBSOLETE CIS STREAMLINING PER D.RENAUD/D.SINISI
- 6 SCREWS ARE NICKEL PLATED BRASS



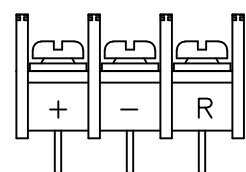
5 OBSOLETE ~~796922-6~~



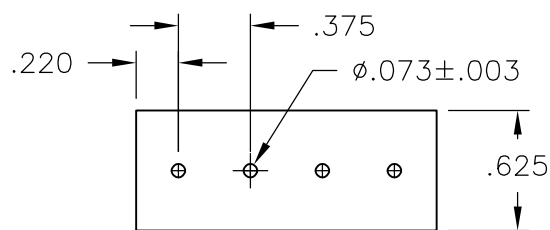
5 OBSOLETE ~~796922-7~~



1-796922-8



1-796922-9



RECOMMENDED PCB LAYOUT

| DIM A | NO OF POS | CATALOG NUMBER  | PART NUMBER         |
|-------|-----------|-----------------|---------------------|
| 6.436 | 17        | NC6-P108-17     | 5-1437664-2         |
| 6.061 | 16        | NC6-P108-16     | 5-1437664-1         |
| 5.686 | 15        | NC6-P108-15     | 5-1437664-0         |
| 5.311 | 14        | NC6-P108-14     | 4-1437664-9         |
| 4.936 | 13        | NC6-P108-13     | 4-1437664-8         |
| 4.561 | 12        | NC6-P108-12     | 4-1437664-7         |
| 4.186 | 11        | NC6-P108-11     | 4-1437664-6         |
| 3.811 | 10        | NC6-P108-10-068 | 1-796922-5          |
| 3.811 | 10        | NC6-P108-10     | 4-1437664-4         |
| 3.436 | 9         | NC6-P108-09-067 | 1-796922-4          |
| 3.436 | 9         | NC6-P108-09     | 4-1437664-2         |
| 3.061 | 8         | NC6-P108-08-069 | 1-796922-7          |
| 3.061 | 8         | NC6-P108-08-066 | 1-796922-3          |
| 3.061 | 8         | NC6-P108-08     | 4-1437664-1         |
| 2.686 | 7         | NC6-P108-07-065 | 1-796922-2          |
| 2.686 | 7         | NC6-P108-07-057 | <del>796922-7</del> |
| 2.686 | 7         | NC6-P108-07     | 4-1437664-0         |
| 2.311 | 6         | NC6-P108-06-064 | 1-796922-1          |
| 2.311 | 6         | NC6-P108-06-054 | <del>796922-3</del> |
| 2.311 | 6         | NC6-P108-06-049 | 3-1437664-9         |
| 2.311 | 6         | NC6-P108-06     | 3-1437664-8         |
| 1.936 | 5         | NC6-P108-05-063 | 1-796922-0          |
| 1.936 | 5         | NC6-P108-05-052 | 3-1437664-7         |
| 1.936 | 5         | NC6-P108-05     | 3-1437664-5         |
| 1.561 | 4         | NC6-P106-04     | 6-1437664-2         |
| 1.561 | 4         | NC6-P108-04-062 | <del>796922-9</del> |
| 1.561 | 4         | NC6-P108-04     | 3-1437664-3         |
| 1.186 | 3         | NC6-P108-03-289 | 1-796922-9          |
| 1.186 | 3         | NC6-P108-03-290 | 1-796922-8          |
| 1.186 | 3         | NC6-P108-03-056 | <del>796922-6</del> |
| 1.186 | 3         | NC6-P108-03-501 | 1-796922-6          |
| 1.186 | 3         | NC6-P108-03     | 3-1437664-1         |
| .811  | 2         | NC6-P108-02-061 | <del>796922-8</del> |
| .811  | 2         | NC6-P108-02     | 3-1437664-0         |

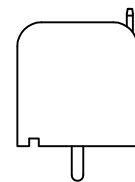
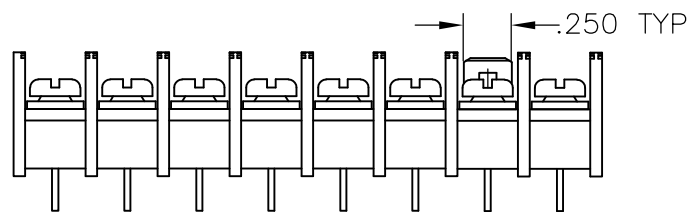
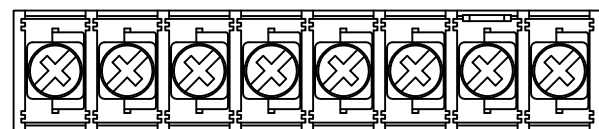
THIS DRAWING IS A CONTROLLED DOCUMENT.

|                    |  |                        |  |
|--------------------|--|------------------------|--|
| DIMENSIONS: INCHES | TOLERANCES UNLESS OTHERWISE SPECIFIED: | DWN S SCHLEGEL 03JUN03 | TE Connectivity  |
|                    |  | CHK H WAKEEM 6/3/03    |  |
|                    |  | APVD H WAKEEM 6/3/03   |  |
|                    |  | NAME                   |  |
| MATERIAL           | FINISH                                 | PRODUCT SPEC           | NC6-P108-XX ASSEMBLY   |
|                    |  | APPLICATION SPEC       | SIZE A3 CAGE CODE 00779 DRAWING NO C-3-1437664-0 RESTRICTED TO |
|                    |  | WEIGHT                 | SCALE NTS SHEET 1 OF 2 REV F3                                  |

CUSTOMER DRAWING


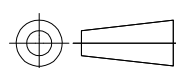
THIS DRAWING IS UNPUBLISHED. RELEASED FOR PUBLICATION  
 © COPYRIGHT - By - ALL RIGHTS RESERVED.

| LOC | DIST | REVISIONS   |             |     |      |
|-----|------|-------------|-------------|-----|------|
| P   | LTR  | DESCRIPTION | DATE        | DWN | APVD |
| FT  | 0    | -           | SEE SHEET 1 | -   | -    |



1-796922-7

| 9.061 | 24        | NC6-P108-24    | 5-1437664-7 |
|-------|-----------|----------------|-------------|
| 8.686 | 23        | NC6-P108-23    | 796922-5    |
| 8.311 | 22        | NC6-P108-22    | 5-1437664-6 |
| 7.936 | 21        | NC6-P108-21    | 796922-4    |
| 7.561 | 20        | NC6-P108-20    | 5-1437664-5 |
| 7.186 | 19        | NC6-P108-19    | 5-1437664-4 |
| 6.811 | 18        | NC6-P108-18    | 5-1437664-3 |
| DIM A | NO OF POS | CATALOG NUMBER | PART NUMBER |

|   |  |                              |   |                    |
|---|--|------------------------------|---|--------------------|
| THIS DRAWING IS A CONTROLLED DOCUMENT.  |  | DWN<br>S SCHLEGEL<br>03JUN03 |  TE Connectivity |                    |
| DIMENSIONS:<br>INCHES   |  | CHK<br>H WAKEEM<br>6/3/03    |   |                    |
|  |  | APVD<br>H WAKEEM<br>6/3/03   | NAME<br>NC6-P108-XX ASSEMBLY  |                    |
| TOLERANCES UNLESS OTHERWISE SPECIFIED:  |  | PRODUCT SPEC                 | RESTRICTED TO   |                    |
| 0 PLC ± -   |  | APPLICATION SPEC             | SIZE<br>A3  | CAGE CODE<br>00779 |
| 1 PLC ± -   |  | WEIGHT<br>-                  | DRAWING NO<br>C-3-1437664-0   | SCALE<br>NTS       |
| 2 PLC ± .01   |  | SHEET<br>2 OF 2              |   |                    |
| 3 PLC ± .005  |  | REV<br>F3                    |   |                    |
| 4 PLC ± -   |  | CUSTOMER DRAWING             |   |                    |
| ANGLES ± -  |  |                              |   |                    |
| MATERIAL<br>-   |  |                              |   |                    |
| FINISH<br>-   |  |                              |   |                    |

## X-ON Electronics

Largest Supplier of Electrical and Electronic Components

*Click to view similar products for [Barrier Terminal Blocks](#) category:*

*Click to view products by [TE Connectivity](#) manufacturer:*

Other Similar products are found below :

[6C1N03](#) [6PCR-02-008](#) [6PCR-05-008](#) [6PCR-08-008](#) [6PCR-21-006](#) [6PCV-06-008](#) [6PCV-10-009](#) [6PCV-15-008](#) [6STR-06-006](#) [6STR-08-006](#)  
[6STR-12-008](#) [6STR-14-008](#) [6STR-16-008](#) [6STR-17-008](#) [6STR-21-008](#) [6STR-25-008](#) [6STR-27-008](#) [6STV-03-006](#) [6STV-03-008](#) [6STV-04-006](#) [6STV-10-006](#) [6WWR-03](#) [6WWV-12-008](#) [6WWV-16-008](#) [7-1546701-0](#) [72212603](#) [72503-C](#) [72504-C-50](#) [73203](#) [76007](#) [7604-501LF](#)  
[77010-50](#) [796985-3](#) [796988-4](#) [7C1N08](#) [8-1437402-5](#) [8-1437402-7](#) [8-1546158-0](#) [870505](#) [870903](#) [8PCR-06-006](#) [8PCV-02-008](#) [8PCV-05-008](#)  
[8PCV-09-006](#) [8PCV-15-006](#) [8PCV-17-006](#) [8QCR-03-008](#) [8STV-04-006](#) [9-1437402-3](#) [A103104](#)