

THIS DRAWING IS UNPUBLISHED. RELEASED FOR PUBLICATION
 © COPYRIGHT - By - ALL RIGHTS RESERVED.

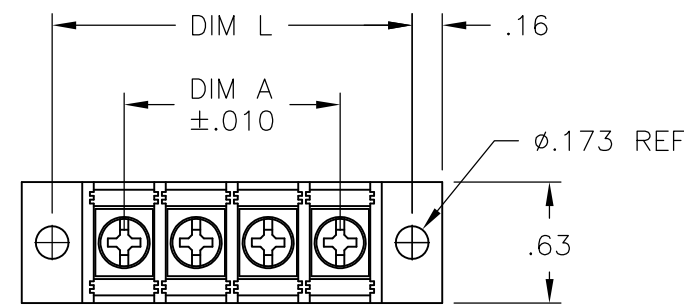
LOC	DIST	REVISIONS			
P	LTR	DESCRIPTION	DATE	DWN	APVD
	G4	REVISED PER ECO-11-004917	11MAR11	RK	HMR

MATERIAL:
 HOUSING: THERMOPLASTIC, UL94V-0, BLACK.
 TERMINALS: BRIGHT TIN OVER COPPER ALLOY.
 SCREWS: #6-32 STEEL, ZINC PLATING W/ CLEAR CHROMATE.(UNLESS OTHERWISE STATED.)
 PITCH (TERMINAL SPACING): .375"

ELECTRICAL:
 RATED CURRENT UL/CSA:
 CLASS C: 20A, 300V
 CLASS D: 5A, 600V
 WIRE RANGE: 12-22 AWG

MECHANICAL:
 RECOMMENDED TORQUE: 7 IN-LB
 OPERATING TEMP.: 105°C MAX

- ① SCREWS ARE STAINLESS STEEL.
- ② SEE FIGURE.
- ③ SCREWS ARE NICKEL PLATED BRASS.
- ④ OBSOLETE PARTS: OBSOLETE CIS STREAMLINING PER D.RENAUD/D.SINISI

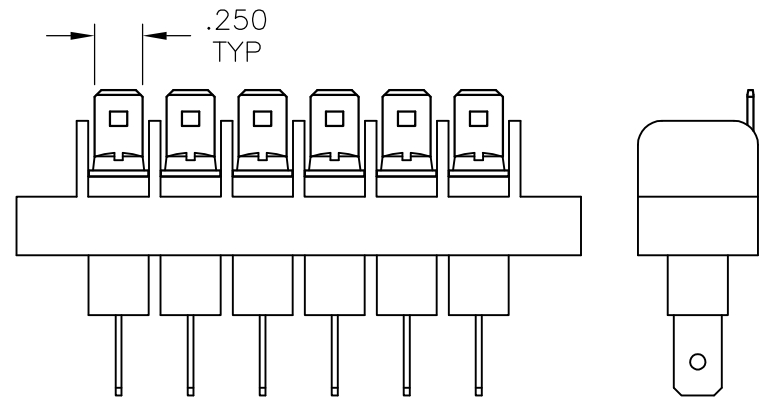


DIM. L	DIM. A	NO. OF POS.	CATALOG NUMBER	PART NO.
9.000	8.250	23	JC6-Q307-23	1546700-9
① 8.625	7.875	22	JC6-Q307-22-226	1776007-8
8.625	7.875	22	JC6-Q307-22	1546700-8
8.250	7.500	21	JC6-Q307-21	1546700-7
7.875	7.125	20	JC6-Q307-20	1546700-6
7.500	6.750	19	JC6-Q307-19	1546700-5
① 7.125	6.375	18	JC6-Q307-18-225	1776007-7
7.125	6.375	18	JC6-Q307-18	2-796985-1
6.750	6.000	17	JC6-Q307-17	1546700-4
① ④ OBSOLETE 6.375	5.625	16	JC6-Q307-16-197	1776007-4
6.375	5.625	16	JC6-Q307-16	6-1437666-1
6.000	5.250	15	JC6-Q307-15	6-1437665-1
① ④ OBSOLETE 5.625	4.875	14	JC6-Q307-14-195	1776007-2
5.625	4.875	14	JC6-Q307-14	1546700-3
5.250	4.500	13	JC6-Q307-13	1546700-2
4.875	4.125	12	JC6-Q305-12	4-796985-0
4.875	4.125	12	JC6-Q307-12	6-1437665-0
4.500	3.750	11	JC6-Q307-11	1546700-1
4.125	3.375	10	JC6-Q307-10	5-1437665-9
3.750	3.000	9	JC6-Q307-09	5-1437665-8
① ④ OBSOLETE 3.375	2.625	8	JC6-Q307-08-196	1776007-3
3.375	2.625	8	JC6-Q307-08	5-1437665-7
3.000	2.250	7	JC6-Q307-07	5-1437665-6
② 2.625	1.875	6	JC6-Q307-06-269	1-1776007-0
② ④ OBSOLETE 2.625	1.875	6	JC6-Q307-06-206	1776007-6
2.625	1.875	6	JC6-Q307-06-203	1776007-5
2.625	1.875	6	JC6-Q307-06	5-1437665-5
① ④ OBSOLETE 2.250	1.500	5	JC6-Q307-05-194	1776007-4
2.250	1.500	5	JC6-Q307-05	5-1437665-4
③ 1.875	1.125	4	JC6-Q305-04	1776007-9
1.875	1.125	4	JC6-Q307-04	5-1437665-3
1.500	.750	3	JC6-Q307-03	5-1437665-2
1.125	.375	2	JC6-Q307-02	5-1437665-1

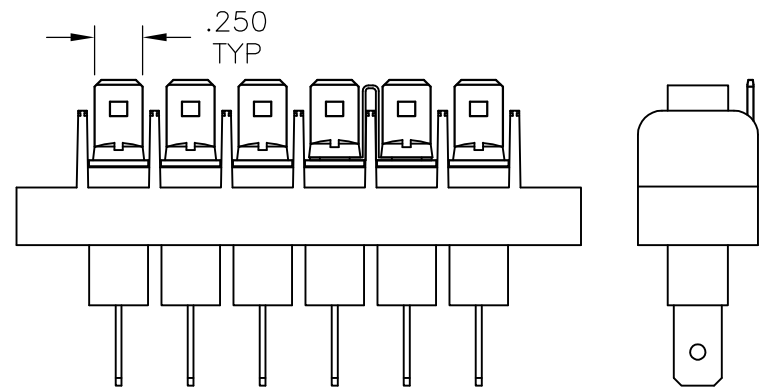
THIS DRAWING IS A CONTROLLED DOCUMENT.		DWN S SCHLEGEL 5/27/03	STE TE Connectivity			
DIMENSIONS: INCHES		CHK S YODER 5/27/03				
TOLERANCES UNLESS OTHERWISE SPECIFIED:		APVD S YODER 5/27/03	NAME			
0 PLC ± -		PRODUCT SPEC	JC6-Q307-XX ASSEMBLY			
1 PLC ± -		APPLICATION SPEC				
2 PLC ± .01		WEIGHT -	SIZE A3	CAGE CODE 00779	DRAWING NO C-5-1437665-1	RESTRICTED TO -
3 PLC ± .005		CUSTOMER DRAWING				
4 PLC ± -		SCALE NTS		SHEET 1 OF 2		
ANGLES ± -		REV G4				
FINISH -						

THIS DRAWING IS UNPUBLISHED. RELEASED FOR PUBLICATION
 © COPYRIGHT - By - ALL RIGHTS RESERVED.

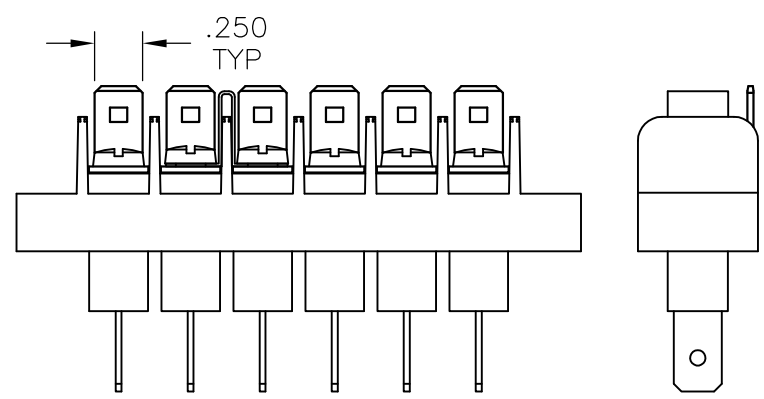
LOC	DIST	REVISIONS				
P	LTR	DESCRIPTION	DATE	DWN	APVD	
FT	0	-	SEE SHEET 1	-	-	




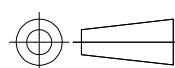
~~1776007-5~~ Δ 4 OBSOLETE



~~1776007-6~~ Δ 4 OBSOLETE



1-1776007-0

THIS DRAWING IS A CONTROLLED DOCUMENT.		DWN	S SCHLEGEL	5/27/03	 TE Connectivity					
DIMENSIONS: INCHES		CHK	S YODER	5/27/03				NAME JC6-Q307-XX ASSEMBLY		
		APVD	S YODER	5/27/03						
TOLERANCES UNLESS OTHERWISE SPECIFIED:		PRODUCT SPEC			SIZE					
0 PLC ± - 1 PLC ± - 2 PLC ± .01 3 PLC ± .005 4 PLC ± - ANGLES ± -		APPLICATION SPEC			CAGE CODE	DRAWING NO	RESTRICTED TO			
MATERIAL		WEIGHT			A3	00779	G-5-1437665-1			
FINISH		CUSTOMER DRAWING			SCALE	SHEET	REV			
					NTS	2 OF 2	G4			

X-ON Electronics

Largest Supplier of Electrical and Electronic Components

Click to view similar products for [Barrier Terminal Blocks](#) category:

Click to view products by [TE Connectivity](#) manufacturer:

Other Similar products are found below :

[CR151D20104](#) [670A-RZ-15-KT20](#) [6C1N03](#) [6PCR-02](#) [6PCR-02-008](#) [6PCR-05-008](#) [6PCR-08-008](#) [6PCR-09-008](#) [6PCR-13-006](#) [6PCR-15-006](#) [6PCR-21-006](#) [6PCV-06-008](#) [6PCV-06-716](#) [6PCV-09-001](#) [6PCV-10-009](#) [6PCV-15-008](#) [6PCV-17-1206](#) [6PCV-20-323](#) [6PCV-30-006](#) [6STR-06-006](#) [6STR-08-006](#) [6STR-12-008](#) [6STR-13-006](#) [6STR-14-008](#) [6STR-16-008](#) [6STR-17-008](#) [6STR-21-008](#) [6STR-25-008](#) [6STR-27-008](#) [6STV-03-006](#) [6STV-03-008](#) [6STV-04-006](#) [6STV-09-006](#) [6STV-10-006](#) [6WWR-03-693](#) [6WWV-12-008](#) [6WWV-16-008](#) [72212603](#) [72504-C-50](#) [72506-C](#) [72507-C-50](#) [73203](#) [75505-C](#) [75505-C-50](#) [75510-C](#) [77010-50](#) [7C1N08](#) [812-GP-3/4ST-09](#) [8-1437402-5](#) [8-1437402-7](#)