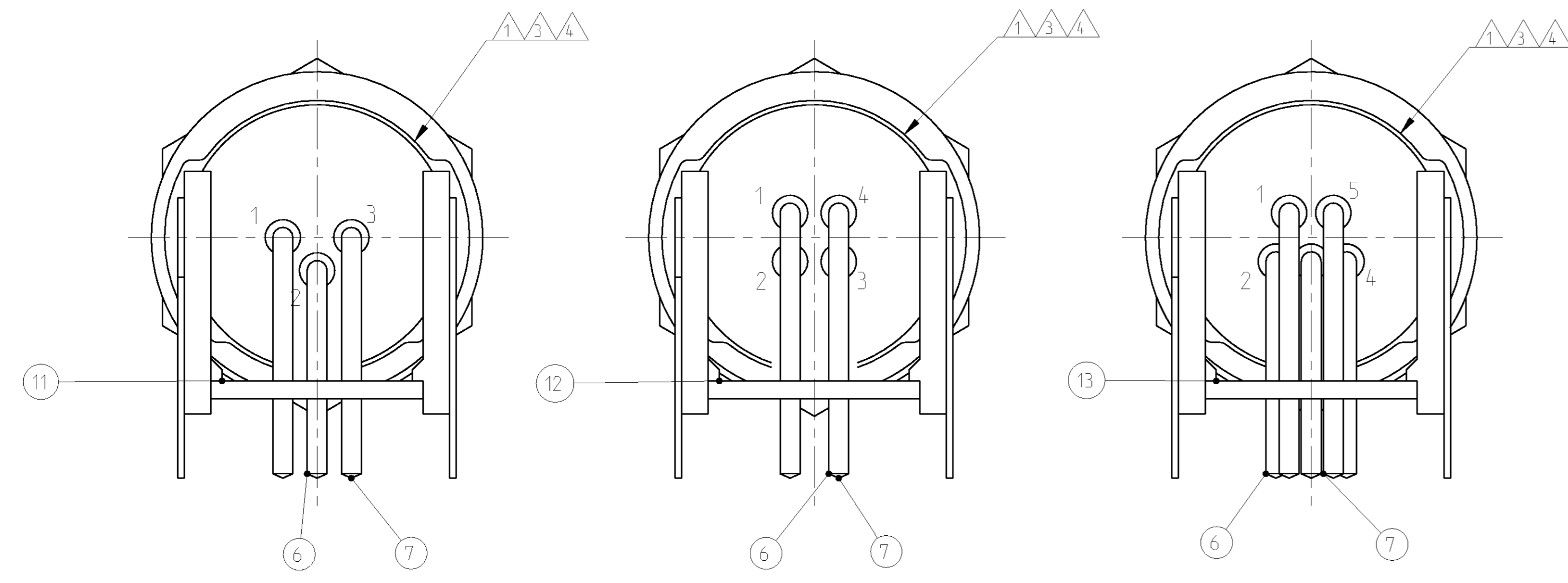


LOC	DIST	P	LTR	REVISIONS	DATE	DWN	APVD
				ÄNDERUNGEN			
				BESCHREIBUNG			
				BEZUGS-NR.			
A1	-			EG00-0576-01	18JUN2001	NG	GF

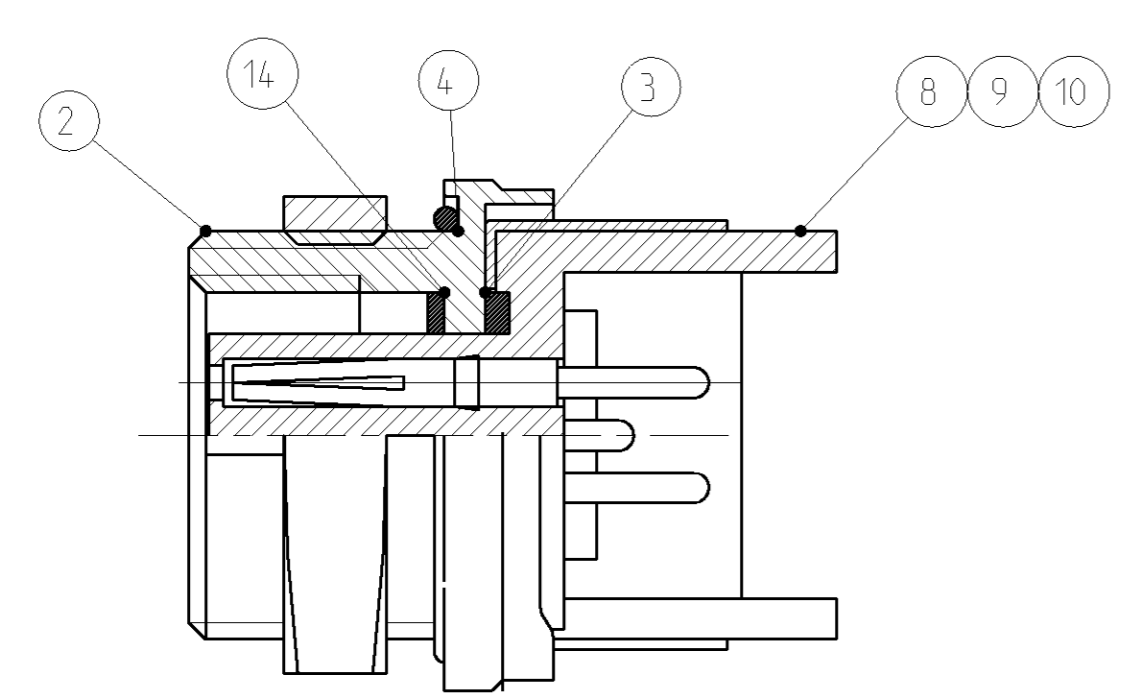
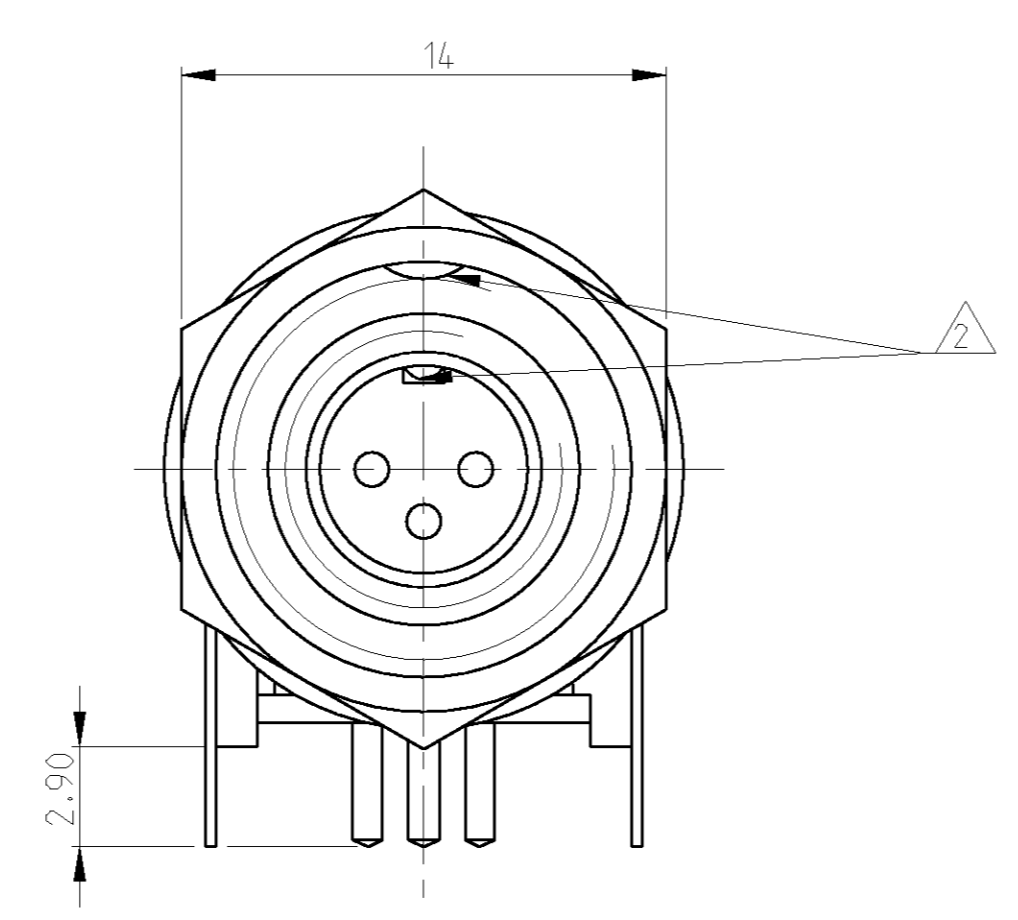
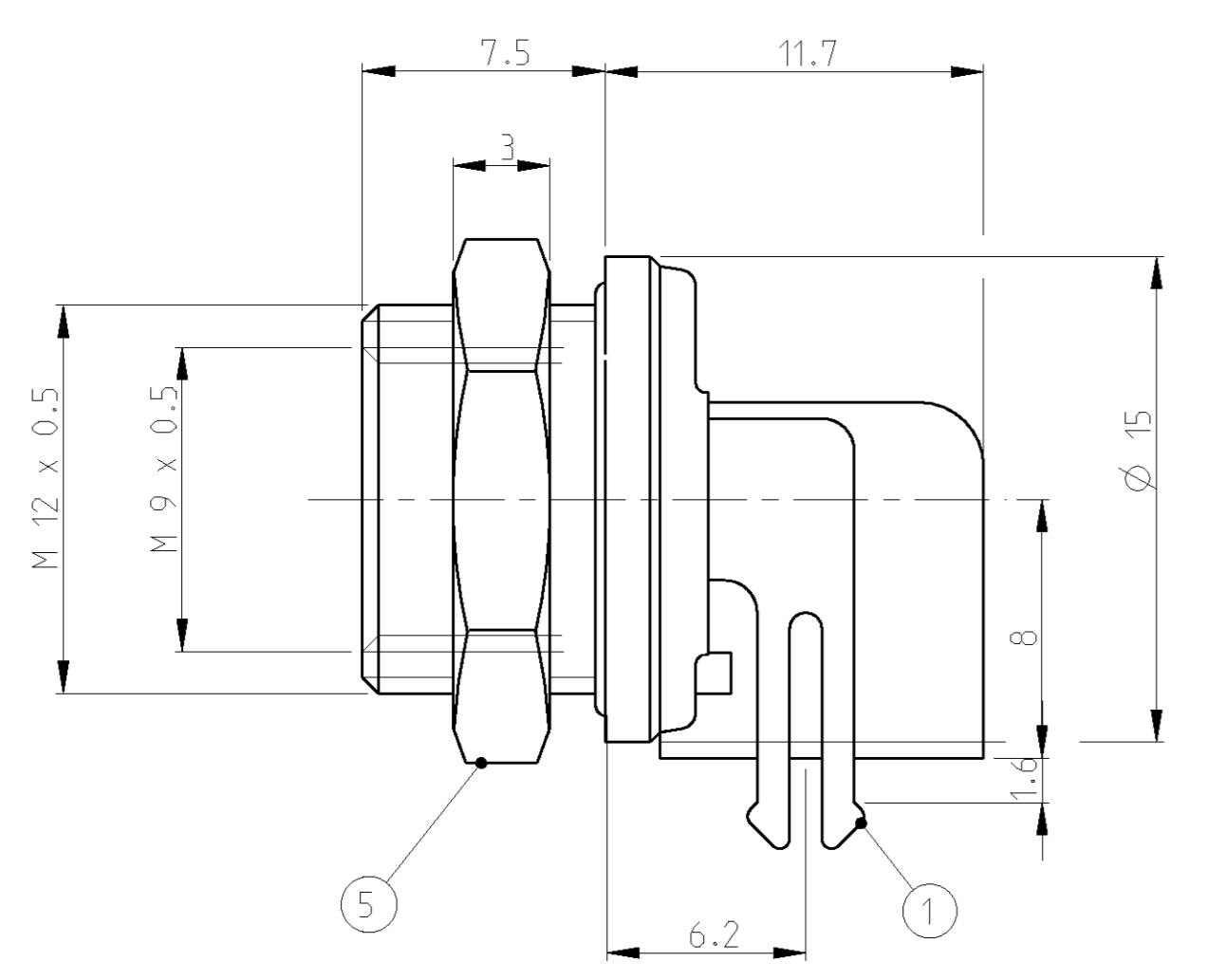
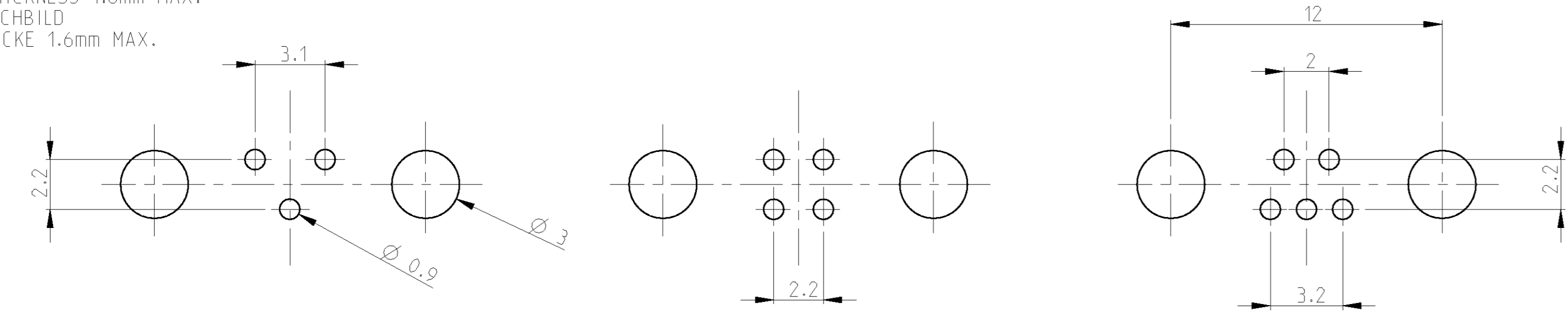
3 WAY
3 POLIG

4 WAY
4 POLIG

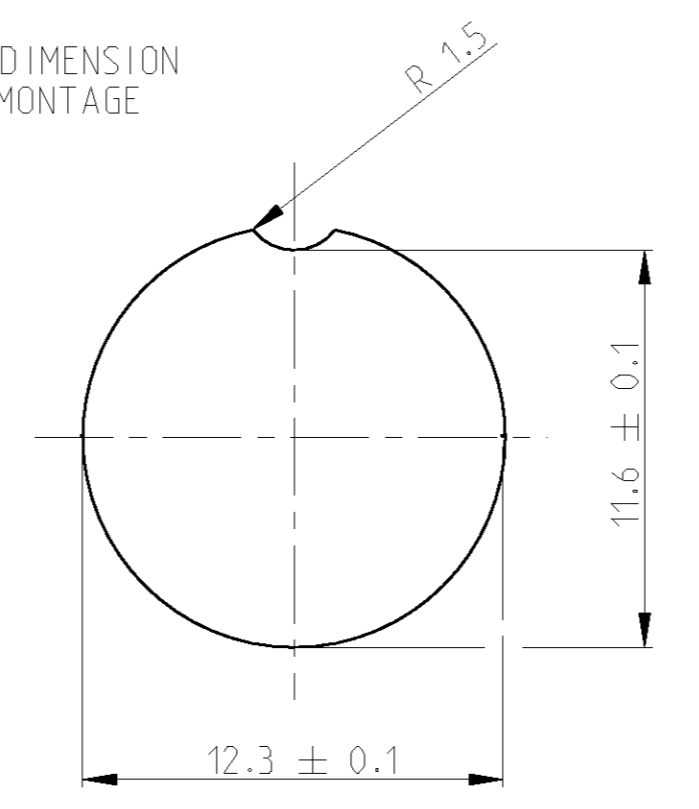
5 WAY
5 POLIG



PCB HOLES
 PCB THICKNESS 1.6mm MAX.
 PCB LOCHBILD
 PCB DICKE 1.6mm MAX.



MOUNTING HOLE DIMENSION
 LOCHBILD FUER MONTAGE



MATERIAL / MATERIAL: PBT, UL-94 V2	5
SHELL MATERIAL / GEHAUSEMATERIAL: CUZN	
FINISH / BESCHICHTUNG: TRIBOR 4 µm	
WIRE GAGE / DRAHTGROESSE IN mm ² : 0.25	4
CONTACT RESISTANCE / KONTAKTWIDERSTAND: => 5 mΩ	3
CODING / CODIERUNG	2
RATED CURRENT PER CONTACT / NENNSTROM PRO KONTAKT: 3 A	1
SHELL PROTECTION CLASS / SCHUTZKLASSE: IP 65 / DIN 40050	
TERMINATION: SOLDERING / VERBINDUNG: LOETKONTAKTE	
TEST VOLTAGE / PRUEFSPANNUNG: 500 VAC	
OPERATING VOLTAGE / BETRIEBSSPANNUNG: 60 VAC	
OPERATING TEMPERATURE: -40°C TO +80°C / ARBEITSTEMPERATUR: -40°C BIS +80°C	
MATING CYCLES / STECKZYKLEN: 500 MAX.	
TECHNICAL DATA TECHNISCHE DATEN	

TYCO-NO./TYCO NR.	QTY REQD PER ASSY	DESCRIPTION / BESCHREIBUNG	ITEM-NO. TEIL-NR.
6-1437719-0	1	SEAL / DICHTUNG	14
5-1437719-7	1	PLATE 5 POS. / PLATTE 5 POL.	13
	1	PLATE 4 POS. / PLATTE 4 POL.	12
	1	PLATE 3 POS. / PLATTE 3 POL.	11
1		INSULATION TUBE 5 POS. / ISOLIERHUELSE 5 POL.	10
	1	INSULATION TUBE 4 POS. / ISOLIERHUELSE 4 POL.	9
	1	INSULATION TUBE 3 POS. / ISOLIERHUELSE 3 POL.	8
2	2	SOCKET APPLIED BY PRESSURE / BUCHSENKONTAKT EINGEPRESST	7
3	2	SOCKET APPLIED BY PRESSURE / BUCHSENKONTAKT EINGEPRESST	6
1	1	NUT / MUTTER	5
1	1	SEAL / DICHTUNG	4
1	1	SEAL / DICHTUNG	3
1	1	HOUSING / GEHAUSE	2
1	1	GROUND ON PCB SPRING / VERBINDUNGSFEDER ZUR PCB MASSE	1
-	-	REVISION OF EACH ASSY NO. (WHEN BLANK, USE DWG REV.)	
TYCO-NO.	TYCO-NO.	DESCRIPTION / BESCHREIBUNG	ITEM-NO. TEIL-NR.
T01-0560-S05	T01-0560-S04		
T01-0560-S03			
PARTS LIST / TEILE LISTE			

AS SHOWN
 5-1437719-4 WIE GEZEICHNET

DWG: H. GEISLER 18JUN2001 CDR: H. SCHERER 18JUN2001 APVD: H. GEISLER 18JUN2001		tyco Electronics		tyco Electronics AMP GmbH D - 64625 Bensheim	
DIMENSIONS: MASSENMEN (mm) TOLERANCES, UNLESS OTHERWISE SPECIFIED: ALIGEMENTOLTERANZ 0 PLC ±0.3 1 PLC ±0.2 2 PLC ±0.2 3 PLC ±0.2 4 PLC ±0.2 5 PLC ±0.2		NAME: T01 FEMALE PLUG CONN. PANEL MNT. PCB VER. 3-5 POS. 90 DGR. T01 BUCHSENSTECKER.EINBAU.PCB VER. 3-5 POL. 90 GRAD		SIZE: A1 CAGE CODE: 00779 DRAWING NO.: 5-1437719-4 RESTRICTED TO: MR. PIER	
MATERIAL: - FINISH: -		WEIGHT: - CUSTOMER DRAWING: -		SCALE: - SHEET: 1 OF 1 REV: A1	

X-ON Electronics

Largest Supplier of Electrical and Electronic Components

Click to view similar products for [Standard Circular Connector](#) category:

Click to view products by [TE Connectivity](#) manufacturer:

Other Similar products are found below :

[C015 10F006 001 1](#) [5M2530B10P](#) [600247N007](#) [600259N006](#) [600273N007](#) [600432N009](#) [6280-2PG-519](#) [6280-3PG-311](#) [6280-3SG-311](#)
[6280-7SG-3DC](#) [6280-7SG-522](#) [6282-5PG-311](#) [6282-6PG-519](#) [6282-8SG-311](#) [6283-11](#) [6283-15](#) [6290](#) [6293](#) [6382-2PG-311](#) [6382-2PG-3DC](#)
[6382-2SG-321](#) [6382-2SG-3DC](#) [6382-4SG-516](#) [67-03E20-37P](#) [681-PMG](#) [CXS3102A14S2P](#) [CXS3102A181S](#) [CXS3106A14S6S](#)
[D38999/20FC8SA L/C](#) [MB12P-1](#) [MB12R-6](#) [7251-2PG-300](#) [7251-2SG-300](#) [7251-4PG-300](#) [7251-4SG-300](#) [7251-5PG-300](#) [7251-5SG-300](#)
[7251-6SG-300](#) [7251-7PG-300](#) [7251-8PG-300](#) [7271-6SG-300](#) [7282-3PG-300-CH3](#) [73000005663](#) [75-190011-03P](#) [75-190216-08S](#) [75-190218-](#)
[10P](#) [75-214636-52P](#) [75-474118-10P](#) [75-474211-03P](#) [75-474218-19S](#)