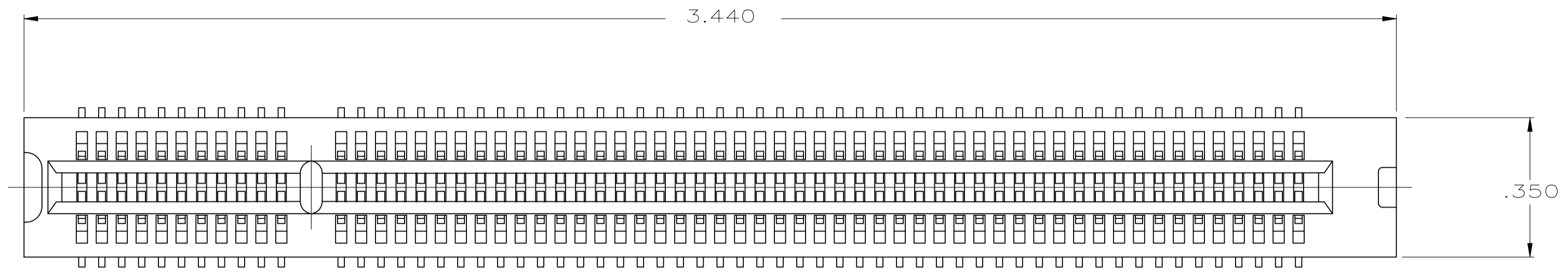
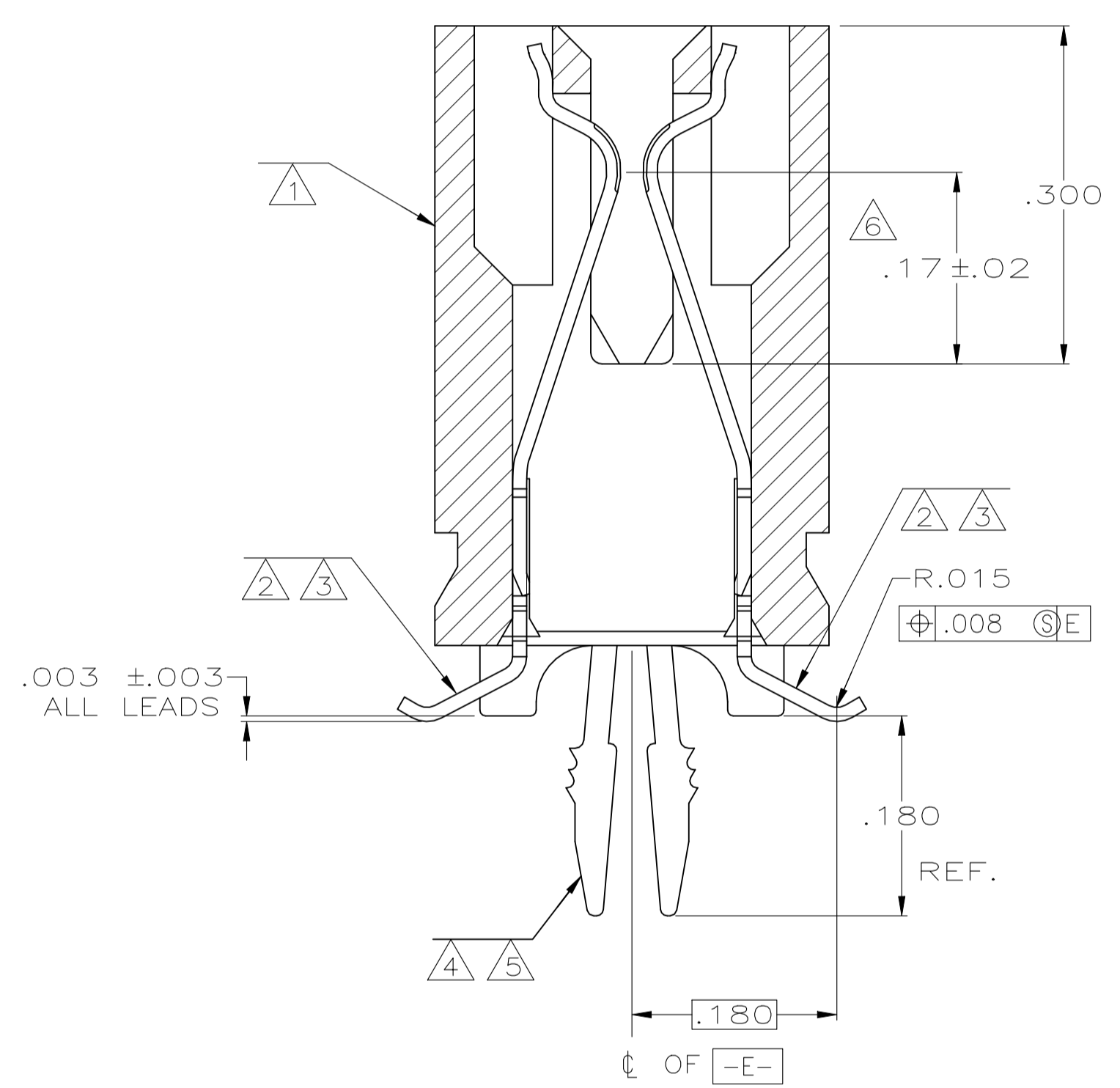
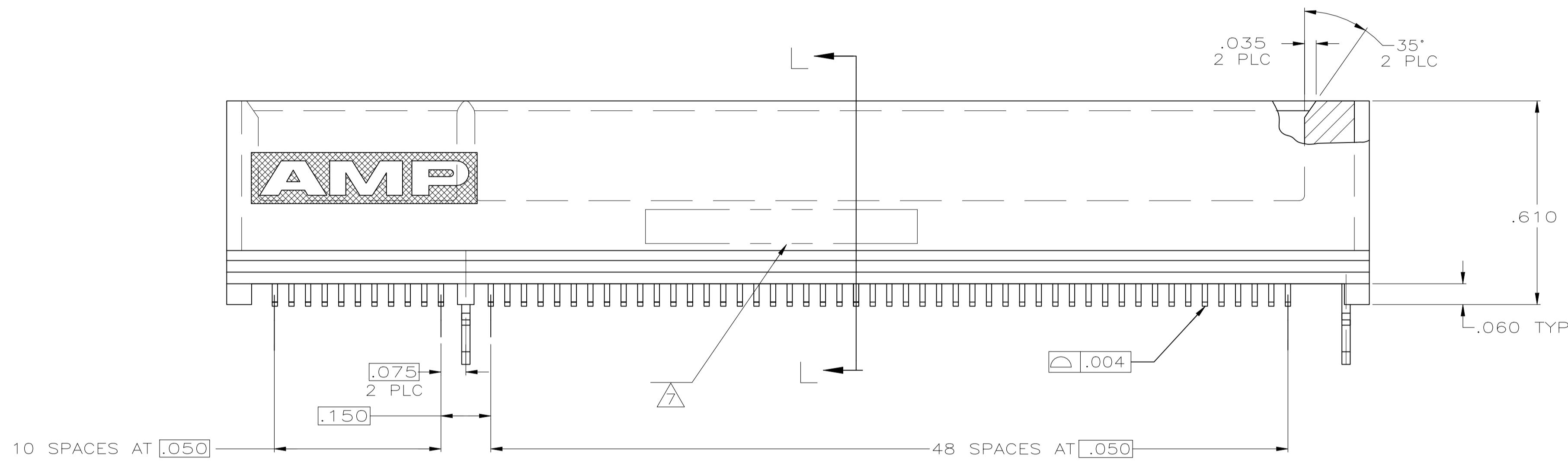


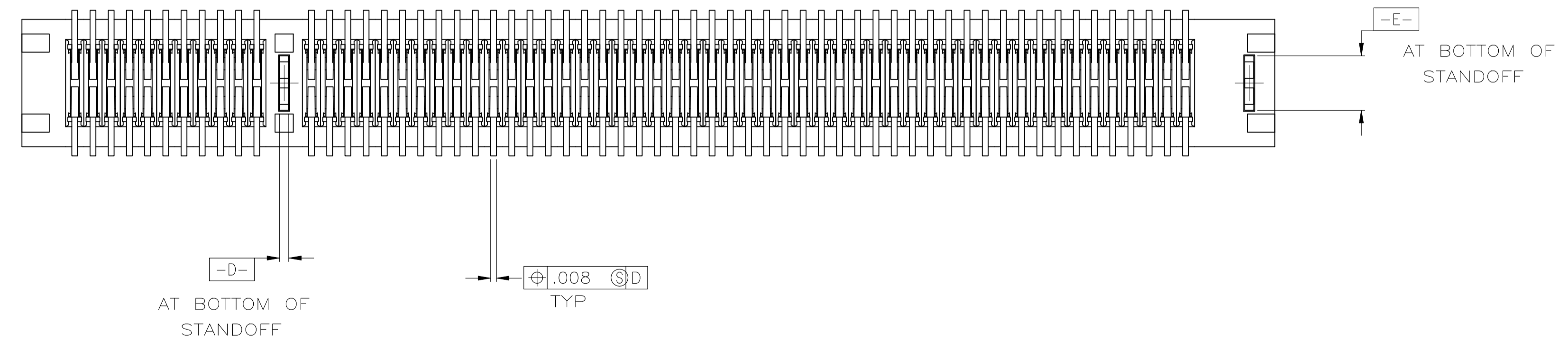
REVISIONS					
P	LTR	DESCRIPTION	DATE	DN	APVD
S		ECC-21-008022	30AUG2021	TL	HL



- ① HOUSING: HIGH TEMPERATURE THERMOPLASTIC.
- ② CONTACT: PHOSPHOR BRONZE.
- ③ CONTACT FINISH: .000100 MIN NICKEL ALL OVER, .000030 MIN GOLD OVER NICKEL IN CONTACT AREA, .000100 MIN MATTE TIN OVER NICKEL ON SOLDER TAILS.
- ④ METAL HOLD DOWN: BRASS
- ⑤ METAL HOLD DOWN FINISH: .000050 MIN NICKEL ALL OVER, .000150 MIN MATTE TIN ALL OVER.
- ⑥ DISTANCE FROM CONTACT POINT TO BOTTOM OF CARD SLOT.
- ⑦ AMP PART NUMBER, DATE CODE AND CSA LOGO MARKED IN APPROXIMATE AREA SHOWN.



SECTION L-L
SCALE 8:1



PACKAGE 2	5145098-2
PACKAGE 1	5145098-1
PACKAGE	PART NO.

THIS DRAWING IS A CONTROLLED DOCUMENT.

DIMENSIONS: INCHES	TOLERANCES UNLESS OTHERWISE SPECIFIED:	0 PLC ± -	1 PLC ± -	2 PLC ± -	3 PLC ± .005	4 PLC ± -	ANGLES ± .2°
MATERIAL		FINISH		① ② ③ ④		⑤ ⑥ ⑦	

REV	DATE	BY	CHK	APPV
01	09 JUN 05	AL FRANTUM	AL FRANTUM	AL FRANTUM

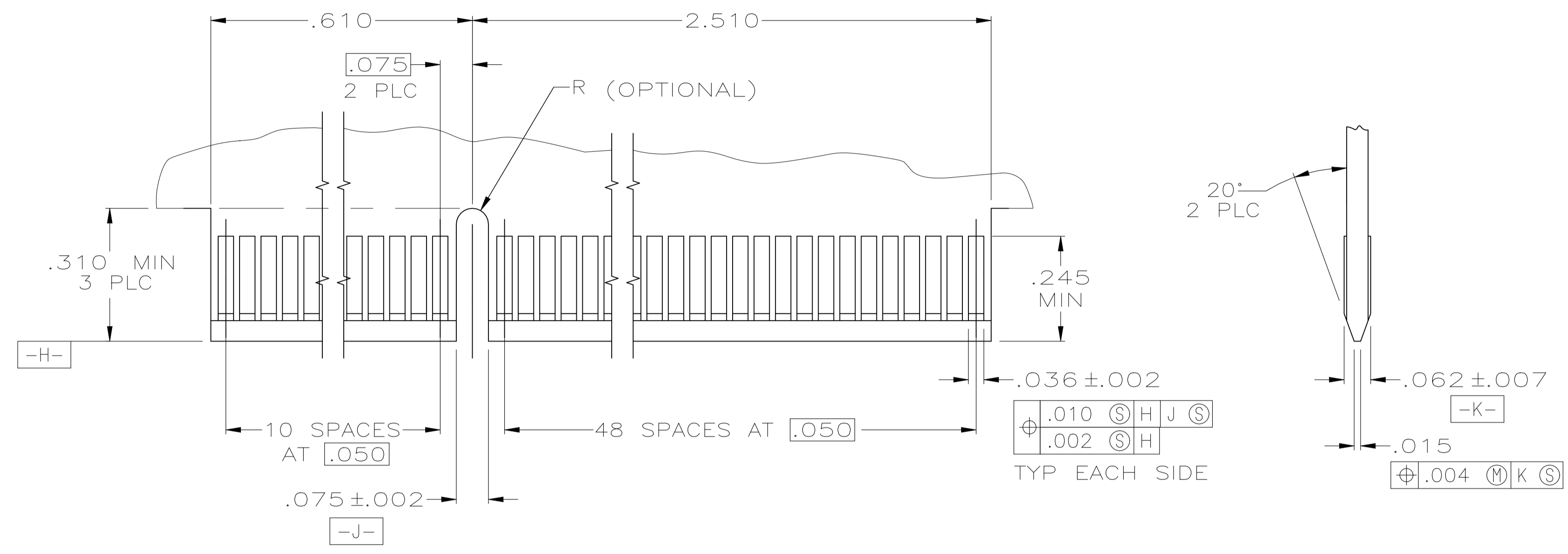
TE Connectivity Ltd.

CONNECTOR ASSEMBLY, 60 DUAL POSITION, .050 SERIES, STANDARD EDGE, SURFACE MOUNT

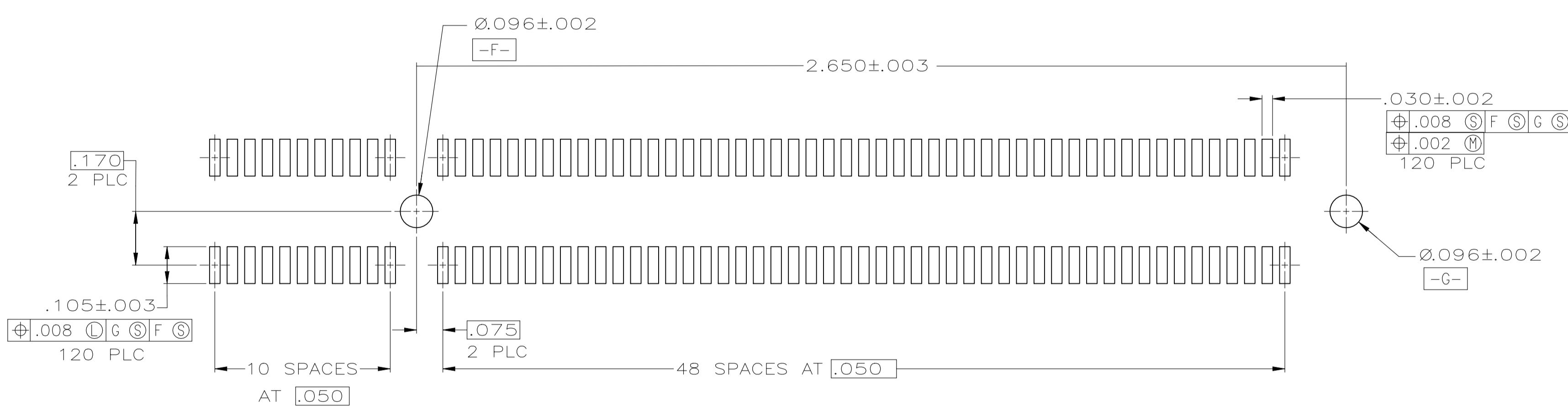
SIZE: A1 CAGE CODE: 00779 DRAWING NO: 5145098

SCALE: 4:1 SHEET: 1 OF 3 REV: S

REVISIONS				
P	LTR	DESCRIPTION	DATE	APVD
-		SEE SHEET 1	-	-



RECOMMENDED MATING BOARD EDGE CONFIGURATION

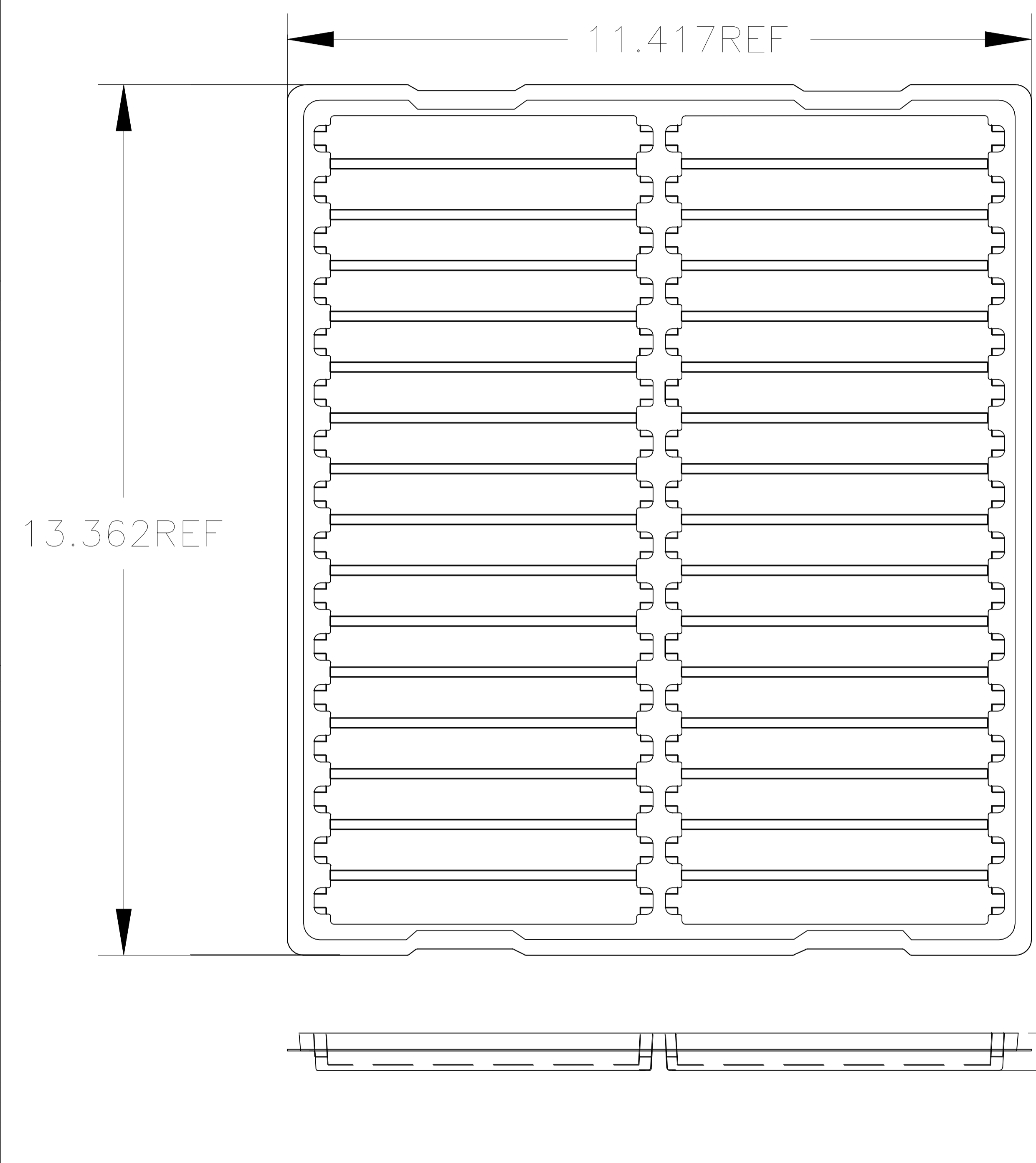


RECOMMENDED PC BOARD PATTERN
(CONNECTOR SIDE SHOWN)

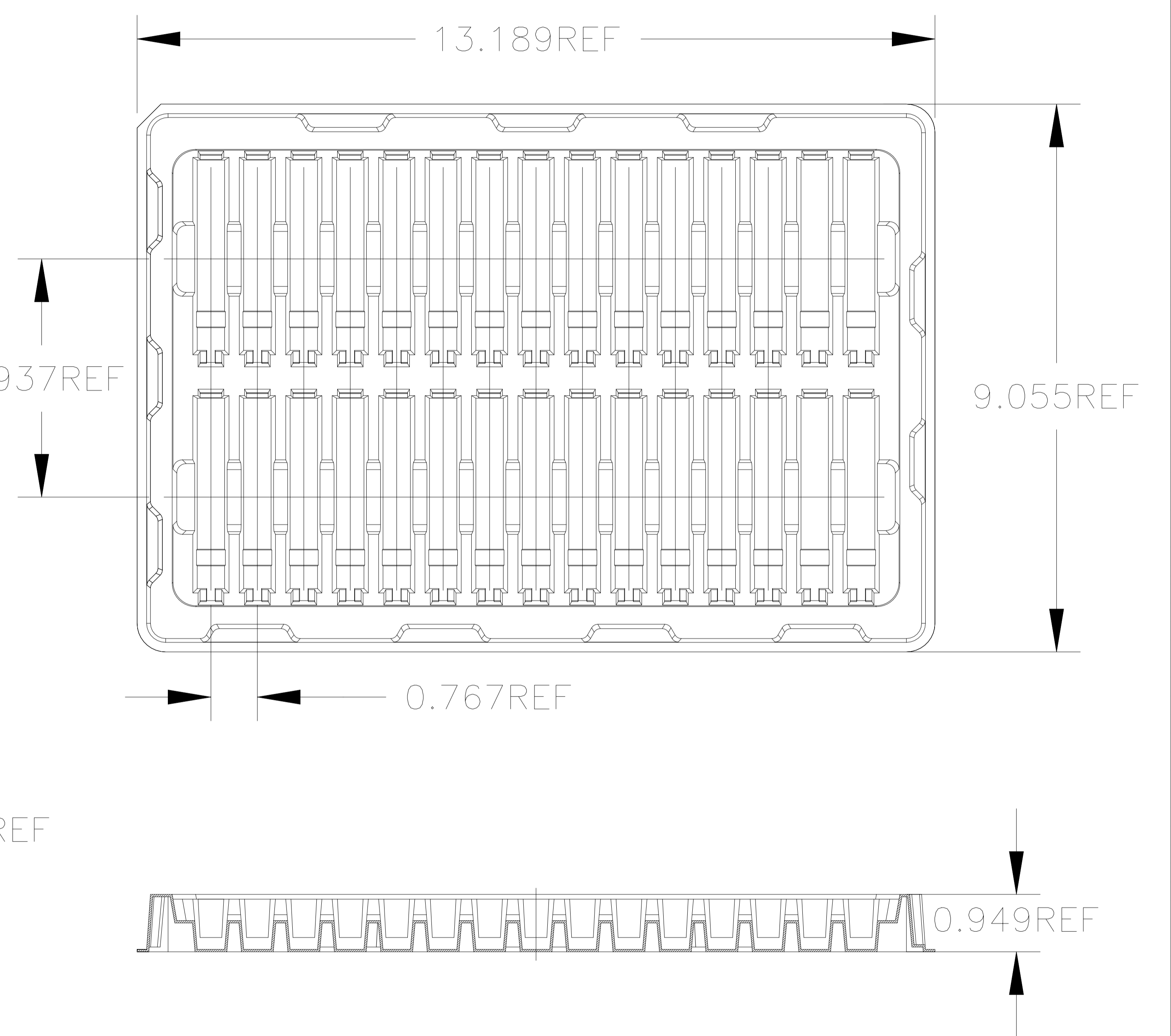
38-2
38-1
NO.

THIS DRAWING IS A CONTROLLED DOCUMENT.		DIN AL FRANTUM 09 JUN 05		AL FRANTUM 09 JUN 05		APVD		NAME		TE Connectivity Ltd.	
DIMENSIONS: INCHES		TOLERANCES UNLESS OTHERWISE SPECIFIED:		PRODUCT SPEC		APPLICATION SPEC		SIZE		RESTRICTED TO	
0 PLC ± -		1 PLC ± -		108-14034		114-13148		A1		-	
2 PLC ± -		3 PLC ± .005		114-13148		A1 00779		C=5145098		-	
4 PLC ± -		ANGLES ± °		WEIGHT		CUSTOMER DRAWING		SCALE		SHEET	
MATERIAL SEE SHEET 1		FINISH SEE SHEET 1		-		4:1		2		3	

REVISIONS				
P	LTR	DESCRIPTION	DATE	APVD
-		SEE SHEET 1	-	-



PACKAGE 1



PACKAGE 2

THIS DRAWING IS A CONTROLLED DOCUMENT.		DIN AL FRANTUM 09 JUN 05	TE Connectivity Ltd.
		CHK AL FRANTUM 09 JUN 05	
DIMENSIONS: INCHES	TOLERANCES UNLESS OTHERWISE SPECIFIED:	APVD	NAME
	0. PLC ± -	PRODUCT SPEC	CONNECTOR ASSEMBLY, 60 DUAL POSITION, .050 SERIES, STANDARD EDGE, SURFACE MOUNT
	1. PLC ± -	108-14034	
	2. PLC ± -	APPLICATION SPEC	SIZE
	3. PLC ± .005	114-13148	A1
	4. PLC ± -	WEIGHT	CAGE CODE
	ANGLES ± °	SEE SHEET 1	00779
MATERIAL SEE SHEET 1	FINISH SEE SHEET 1	CUSTOMER DRAWING	SCALE 4:1 SHEET 3 OF 3 REV S

X-ON Electronics

Largest Supplier of Electrical and Electronic Components

Click to view similar products for [PCI Express/PCI Connectors](#) category:

Click to view products by [TE Connectivity](#) manufacturer:

Other Similar products are found below :

[UEX220-6U](#) [10039755-10110TLF](#) [1-1871239-2](#) [2170560-2](#) [10125756-980000LF](#) [EB220-3U](#) [10061913-120PLF](#) [GPCP146400111HR](#)
[GPCP442628110HR](#) [GPCP446200120HR](#) [GPCP245400111HR](#) [10082378-10000TLF](#) [87715-9256](#) [MDT580M03001](#) [0877159107](#)
[MDT580M01001](#) [10018783-11000MLF](#) [10018783-11101TLF](#) [10108777-10000ALF](#) [10141523-111T0LF](#) [10145445-10003MLF](#)
[PSASF2130311TR](#) [PSASF3130411TR](#) [7-1734774-7](#) [3-1761465-1](#) [10018784-10111TLF](#) [10039755-10111TLF](#) [10039755-10112TLF](#)
[10018783-10211TLF](#) [10018784-10211TLF](#) [10018784-10212TLF](#) [1761465-2](#) [1871058-1](#) [5-1761465-4](#) [10018783-10200MLF](#) [10018783-](#)
[10213TLF](#) [10018784-10210TLF](#) [10018784-11113TLF](#) [10025026-10001TLF](#) [5145154-8](#) [1871058-4](#) [2041119-2](#) [10018783-10212TLF](#)
[10018784-10102TLF](#) [10018783-11200TLF](#) [SM3ZS067U215-NUT1-R2500](#) [10123371-001TRLF](#) [10018784-10110TLF](#) [6-1734774-7](#) [6-](#)
[1734774-9](#)