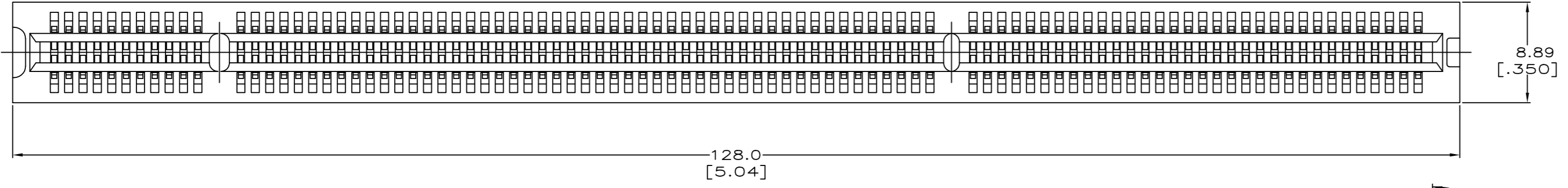
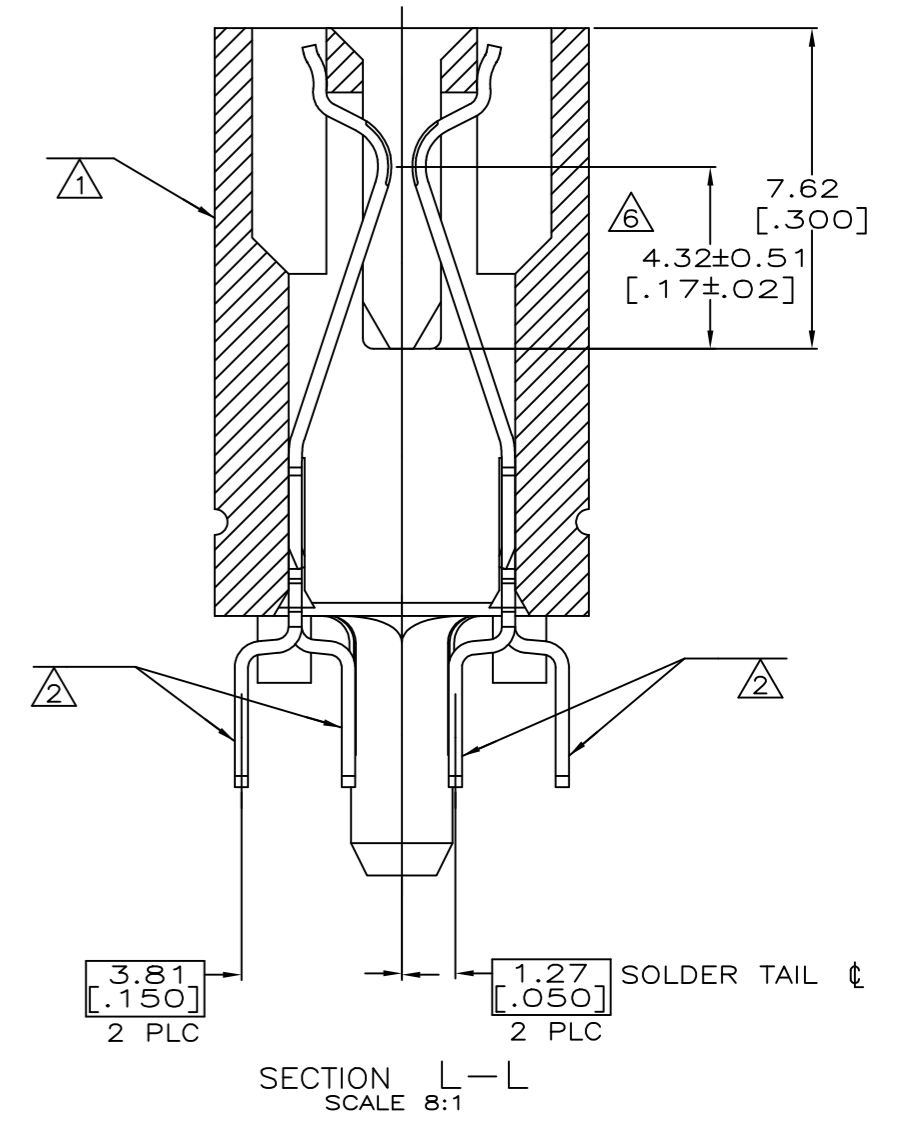
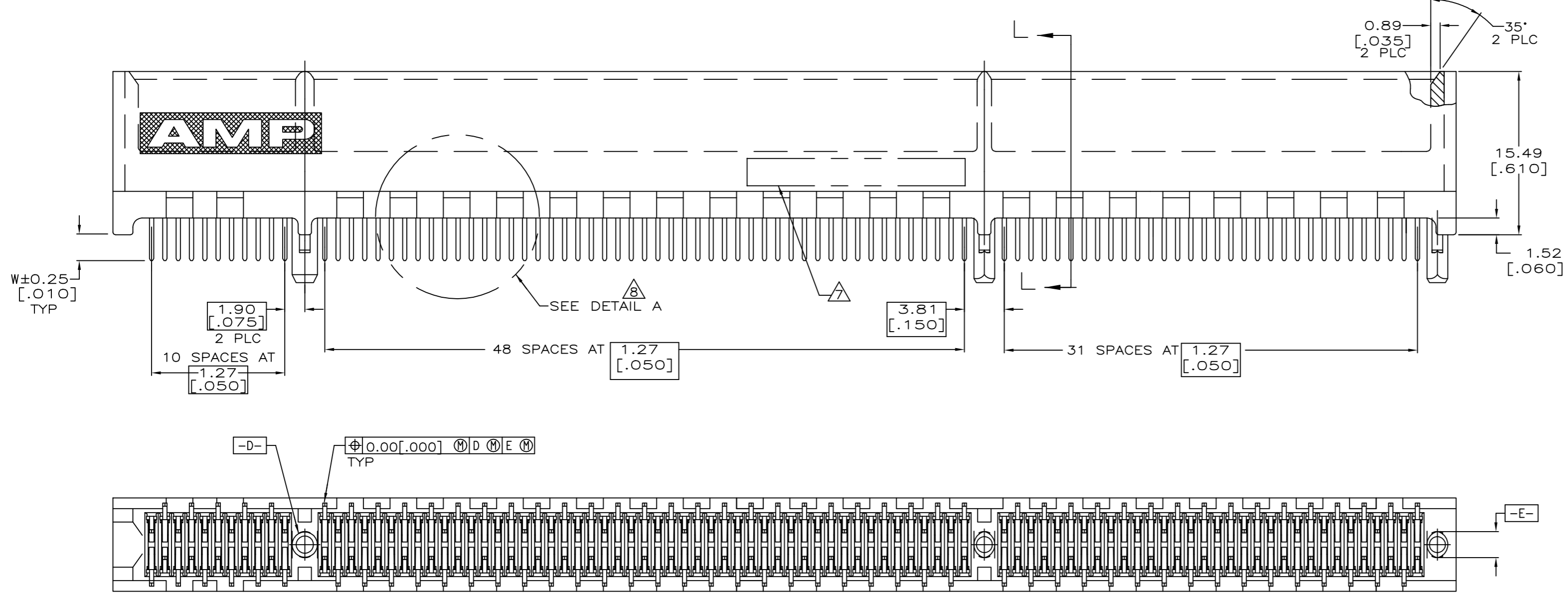


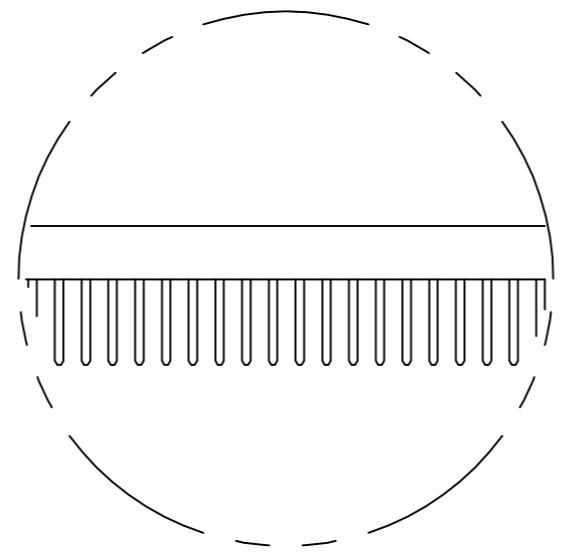
REVISIONS				
P	LTR	DESCRIPTION	DATE	DWN APVD
D		ECO-18-017215	03DEC2018	FL HL



SEE SHEET 2 FOR NOTES



SEE SHEET 2 FOR HOLE PATTERN



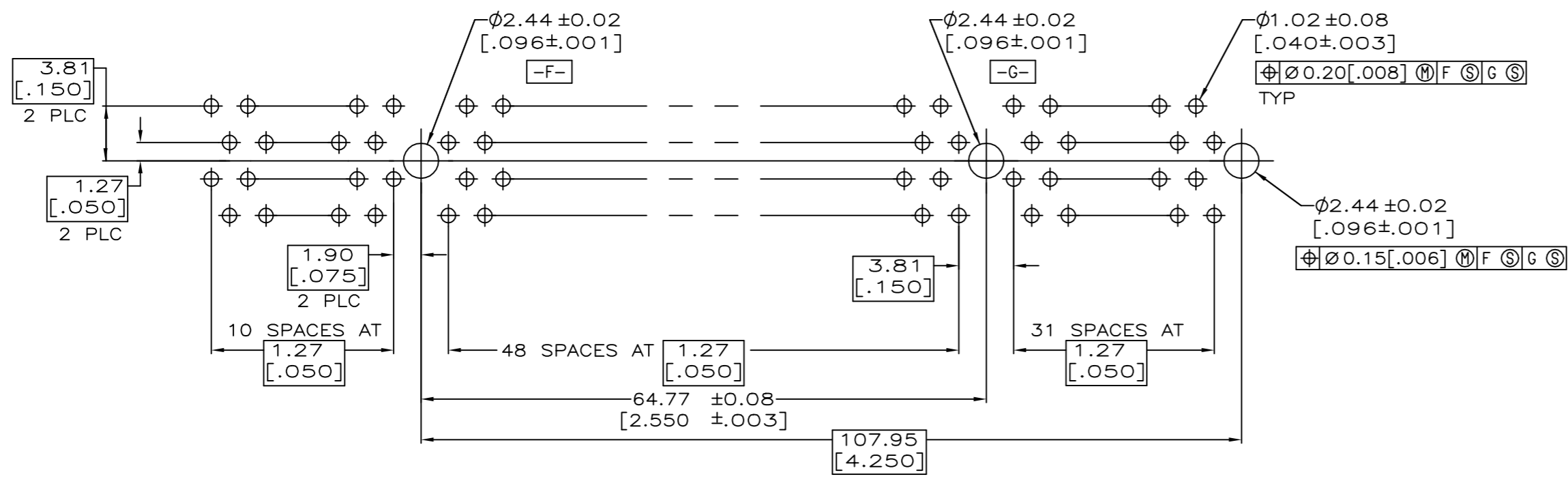
DETAIL A

3.56 [.140]	△	1-5145165-2
3.17 [.125]	△	5145165-8
2.54 [.100]	△	5145165-4
2.54 [.100]	△	5145165-2
2.54 [.100]	△	5145165-1

OBSOLETE

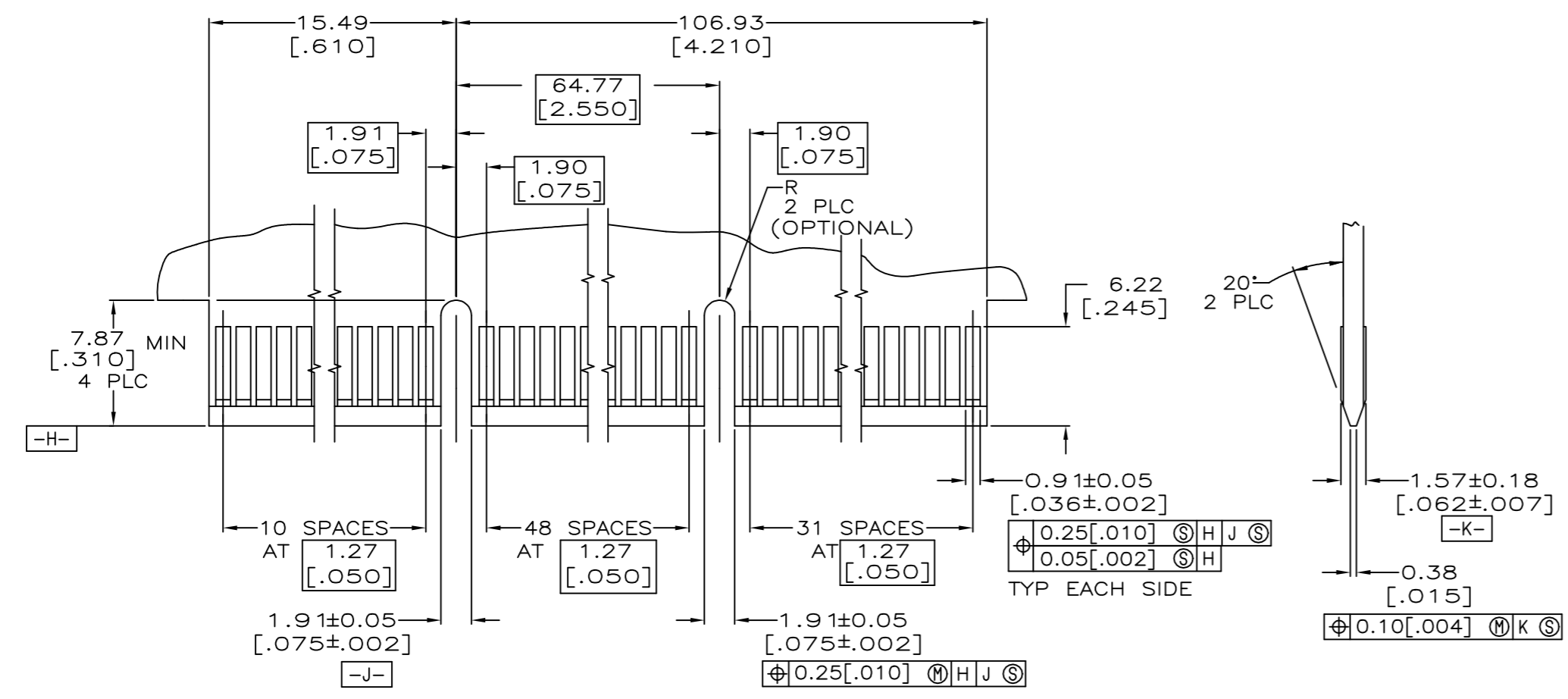
THIS DRAWING IS A CONTROLLED DOCUMENT.		DWN AL FRANTUM 04 FEB 05	TE Connectivity Ltd.	
DIMENSIONS: mm		CHK AL FRANTUM 04 FEB 05	NAME	
TOLERANCES UNLESS OTHERWISE SPECIFIED:		APVD	PRODUCT SPEC	
0 PLC ± -	1 PLC ± -	108-14034		
2 PLC ± 0.25 [31]	3 PLC ± 0.13 [005]	APPLICATION SPEC		
4 PLC ± -	ANGLES ± °	114-26012		
MATERIAL	FINISH	SIZE	CAGE CODE	DRAWING NO
△/△	△/△/△	A1	00779	5145165
CUSTOMER DRAWING		SCALE	SHEET	REV
		4:1	1 OF 2	D

REVISIONS				
P	LTR	DESCRIPTION	DATE	DWN APVD
-	-	SEE SHEET 1	-	-



RECOMMENDED CONNECTOR MOUNTING HOLE PATTERN
(CONNECTOR SIDE SHOWN)

- 1 HOUSING: HIGH TEMPERATURE THERMOPLASTIC.
COLOR - NATURAL
- 2 CONTACT: PHOSPHOR BRONZE.
- 3 CONTACT FINISH: 0.00127[.000050] MIN NICKEL ALL OVER.
GOLD FLASH OVER NICKEL IN CONTACT AREA.
0.00254[.000100] MIN MATTE TIN OVER NICKEL ON SOLDER TAILS.
- 4 CONTACT FINISH: 0.00127[.000050] MIN NICKEL ALL OVER.
0.00038[.000015] GOLD OVER NICKEL IN CONTACT AREA.
0.00254[.000100] MIN MATTE TIN OVER NICKEL ON SOLDER TAILS.
- 5 CONTACT FINISH: 0.00127[.000050] MIN NICKEL ALL OVER.
0.00076[.000030] GOLD OVER NICKEL IN CONTACT AREA.
0.00254[.000100] MIN MATTE TIN OVER NICKEL ON SOLDER TAILS.
- 6 DISTANCE FROM CONTACT POINT TO BOTTOM OF CARD SLOT.
- 7 AMP PART NUMBER, DATE CODE AND CSA LOGO MARKED IN APPROXIMATE LOCATION SHOWN.
- 8 CORED OR SOLID SIDE WALLS ARE AT DISCRETION OF AMP INCORPORATED.



RECOMMENDED MATING BOARD EDGE CONFIGURATION

THIS DRAWING IS A CONTROLLED DOCUMENT.		DWN AL FRANTUM 04 FEB 05	TE Connectivity Ltd.
		CHK AL FRANTUM 04 FEB 05	
DIMENSIONS: mm		APVD -	NAME
TOLERANCES UNLESS OTHERWISE SPECIFIED: 0 PLC ± - 1 PLC ± - 2 PLC ± 0.25 [.01] 3 PLC ± 0.13 [.005] 4 PLC ± ± % ANGLES ± °		PRODUCT SPEC 108-14034	CONNECTOR ASSEMBLY, 92 DUAL POSITION, .050 SERIES, STANDARD EDGE
MATERIAL		APPLICATION SPEC 114-26012	RESTRICTED TO
FINISH		WEIGHT	SIZE A1
		CUSTOMER DRAWING	CAGE CODE 00779
		SCALE 4:1	DRAWING NO 5145165
		SHEET 2	REV D

X-ON Electronics

Largest Supplier of Electrical and Electronic Components

Click to view similar products for [PCI Express/PCI Connectors](#) category:

Click to view products by [TE Connectivity](#) manufacturer:

Other Similar products are found below :

[UEX220-6U](#) [10039755-10110TLF](#) [1-1871239-2](#) [2170560-2](#) [10125756-980000LF](#) [EB220-3U](#) [10061913-120PLF](#) [GPCP146400111HR](#)
[GPCP442628110HR](#) [GPCP446200120HR](#) [GPCP245400111HR](#) [10082378-10000TLF](#) [87715-9256](#) [MDT580M03001](#) [0877159107](#)
[MDT580M01001](#) [10018783-11000MLF](#) [10018783-11101TLF](#) [10108777-10000ALF](#) [10141523-111T0LF](#) [10145445-10003MLF](#)
[PSASF2130311TR](#) [PSASF3130411TR](#) [7-1734774-7](#) [3-1761465-1](#) [10018784-10111TLF](#) [10039755-10111TLF](#) [10039755-10112TLF](#)
[10018783-10211TLF](#) [10018784-10211TLF](#) [10018784-10212TLF](#) [1761465-2](#) [1871058-1](#) [5-1761465-4](#) [10018783-10200MLF](#) [10018783-](#)
[10213TLF](#) [10018784-10210TLF](#) [10018784-11113TLF](#) [10025026-10001TLF](#) [5145154-8](#) [1871058-4](#) [2041119-2](#) [10018783-10212TLF](#)
[10018784-10102TLF](#) [10018783-11200TLF](#) [SM3ZS067U215-NUT1-R2500](#) [10123371-001TRLF](#) [10018784-10110TLF](#) [6-1734774-7](#) [6-](#)
[1734774-9](#)