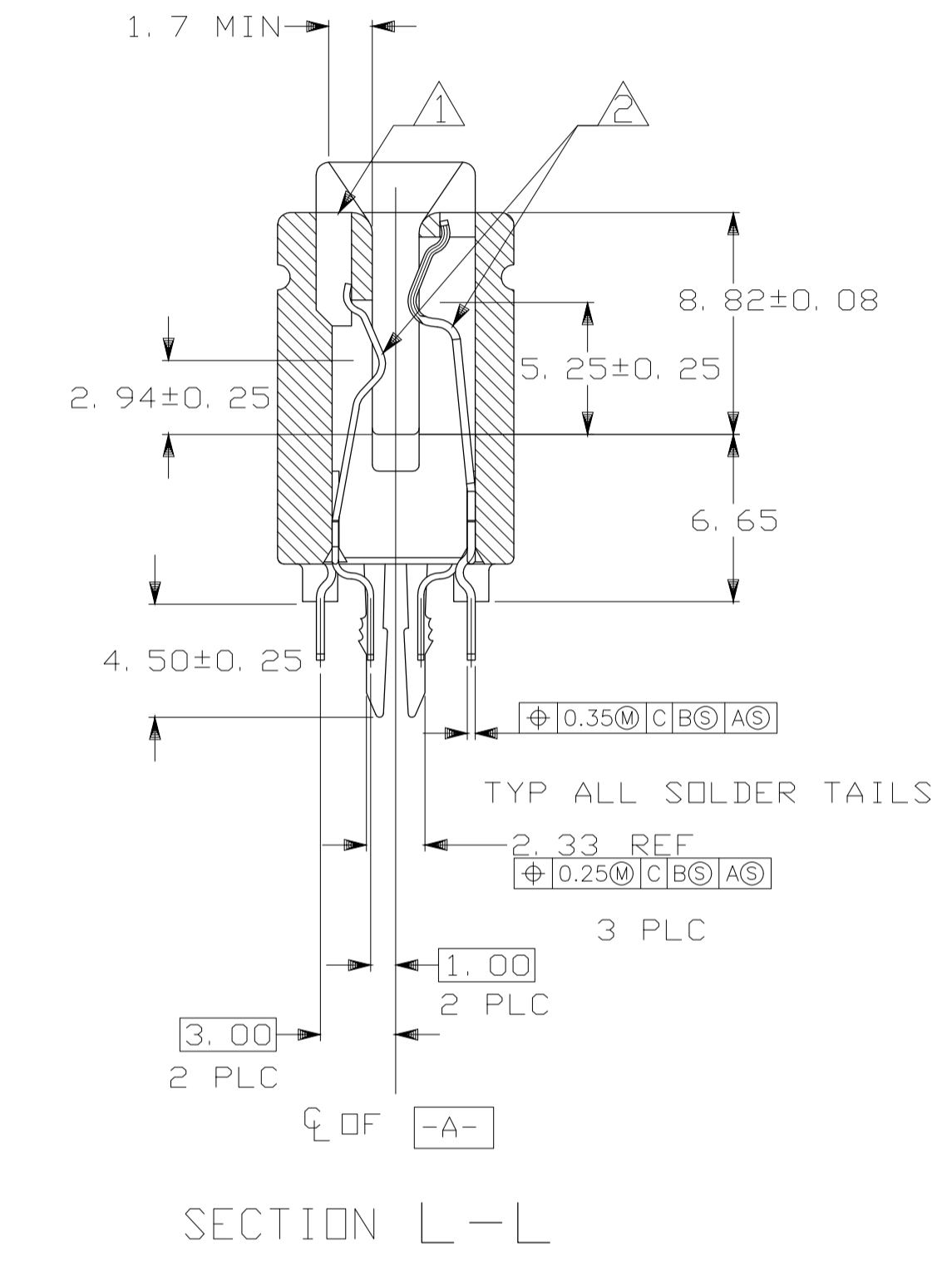
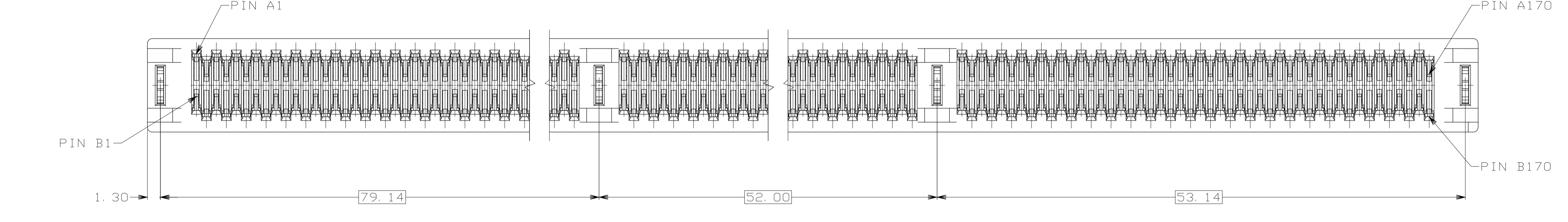
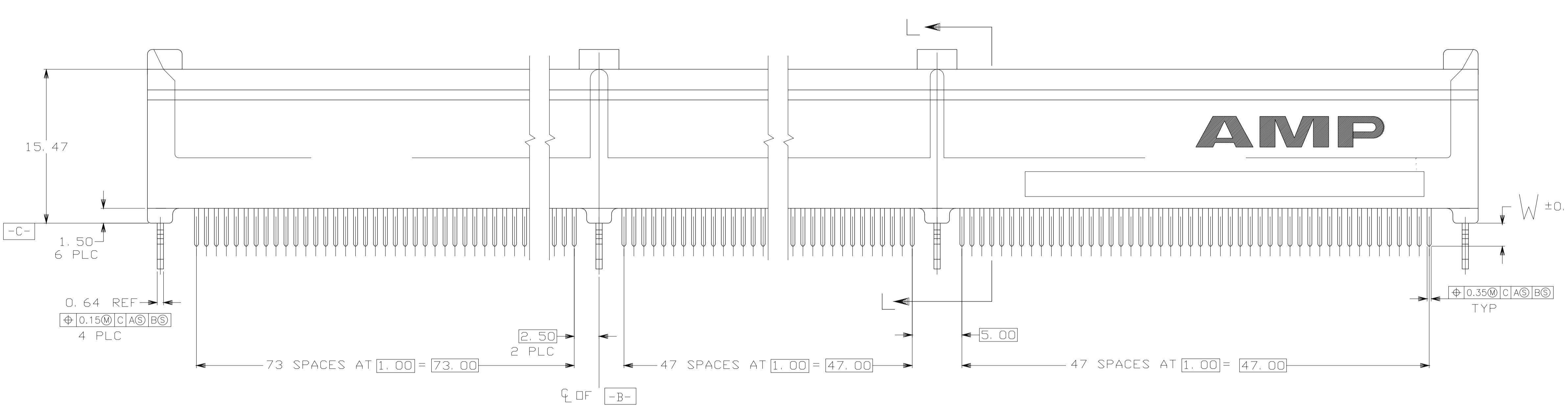
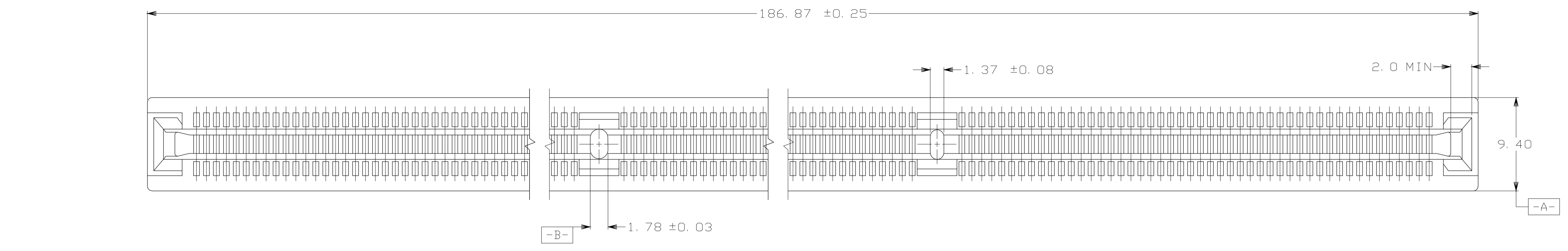


LOC		DIST		REVISIONS			
P	LTR	DESCRIPTION	DATE	DMN	APVD		
0		RELEASED ECR-05-003216	22MAR05	G.Z.	I.E.		
01		REVISED PER ECO-10-000444	19JAN10	KK	HMR		

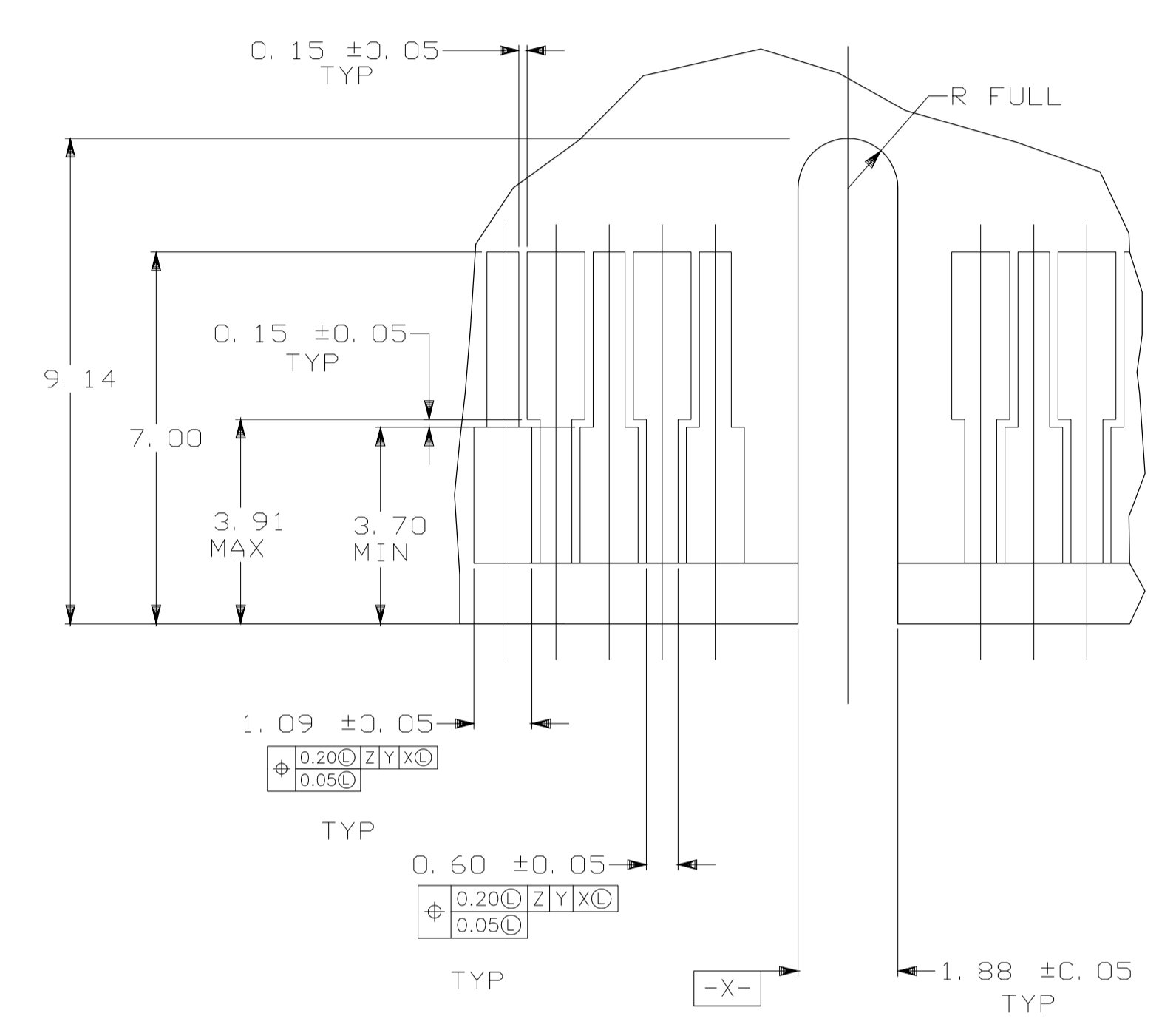
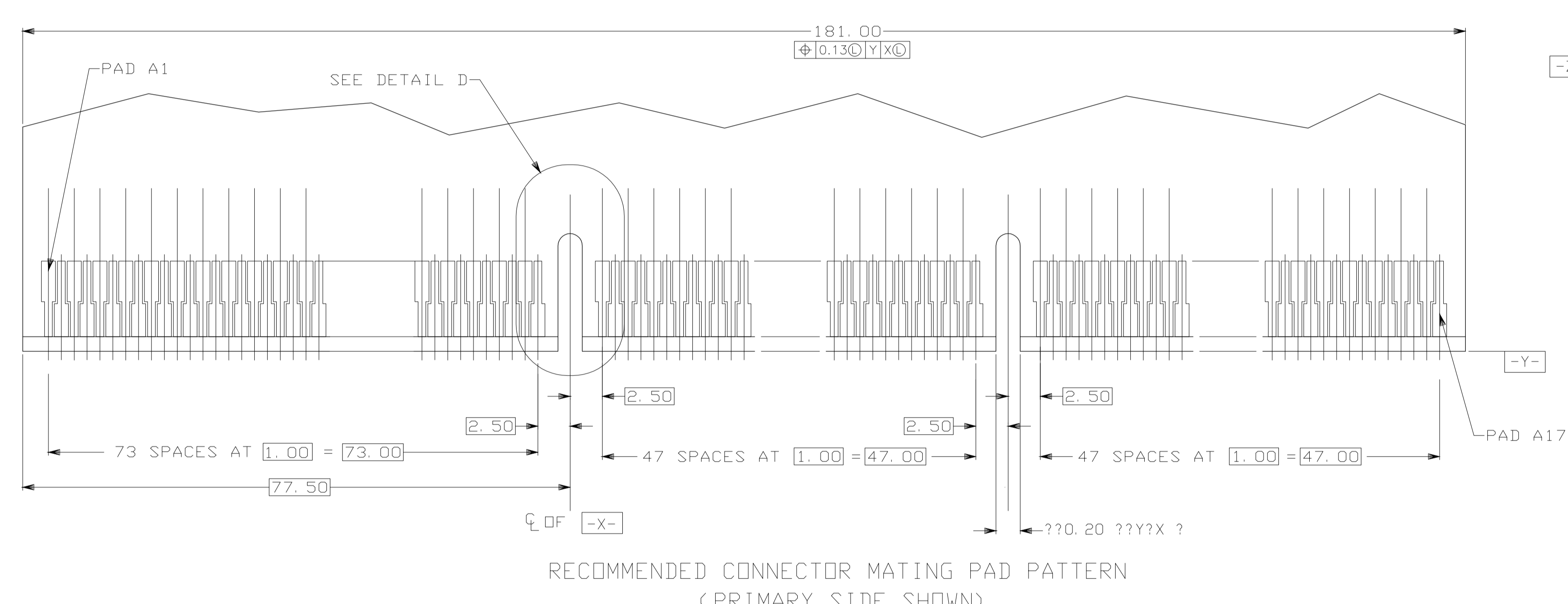
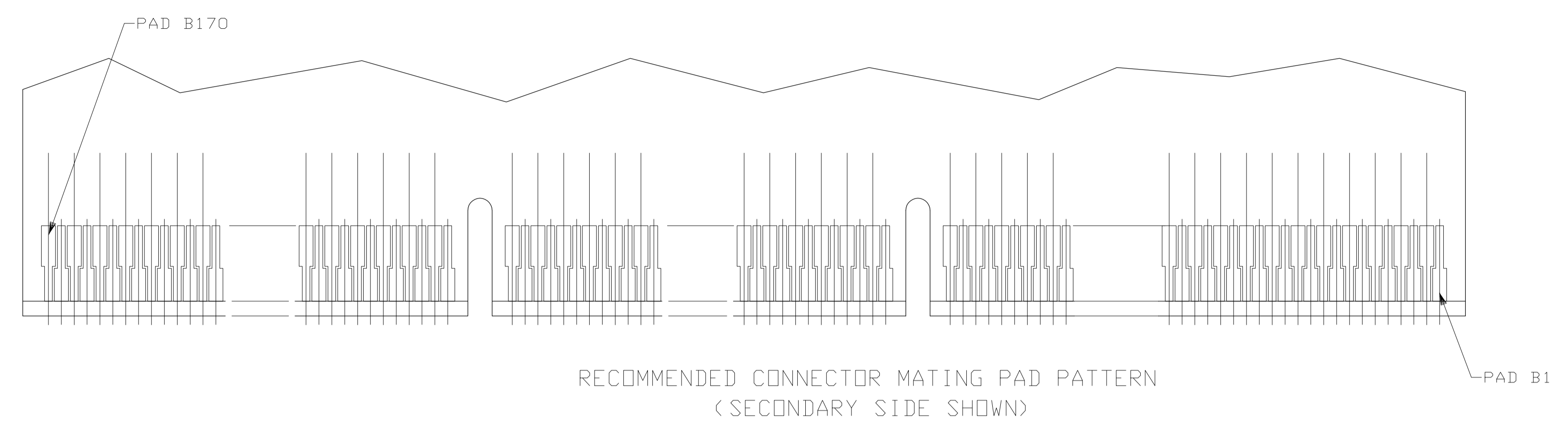


- ⚠ MATERIAL: HOUSING, THERMOPLASTIC, COLOR: BROWN.
CONTACTS, PHOSPHOR BRONZE.
HOLD-DOWNS, BRASS.
- ⚠ FINISH: CONTACTS, 1.27 MIN. MICROMETERS NICKEL ALL OVER,
0.38 MIN. MICROMETERS GOLD OVER NICKEL IN CONTACT AREA,
2.54 MIN MICROMETERS TIN OVER NICKEL ON SOLDER TAILS.
- ⚠ FINISH: CONTACTS, 1.27 MIN. MICROMETERS NICKEL ALL OVER,
0.0254-0.0762 MICROMETERS GOLD OVER NICKEL IN CONTACT AREA.
2.54 MIN. MICROMETERS TIN OVER NICKEL ON SOLDER TAILS.
- ⚠ OBSOLETE PARTS: OBSOLETE CIS STREAMLINING PER D. RENAUD/D. SINISI

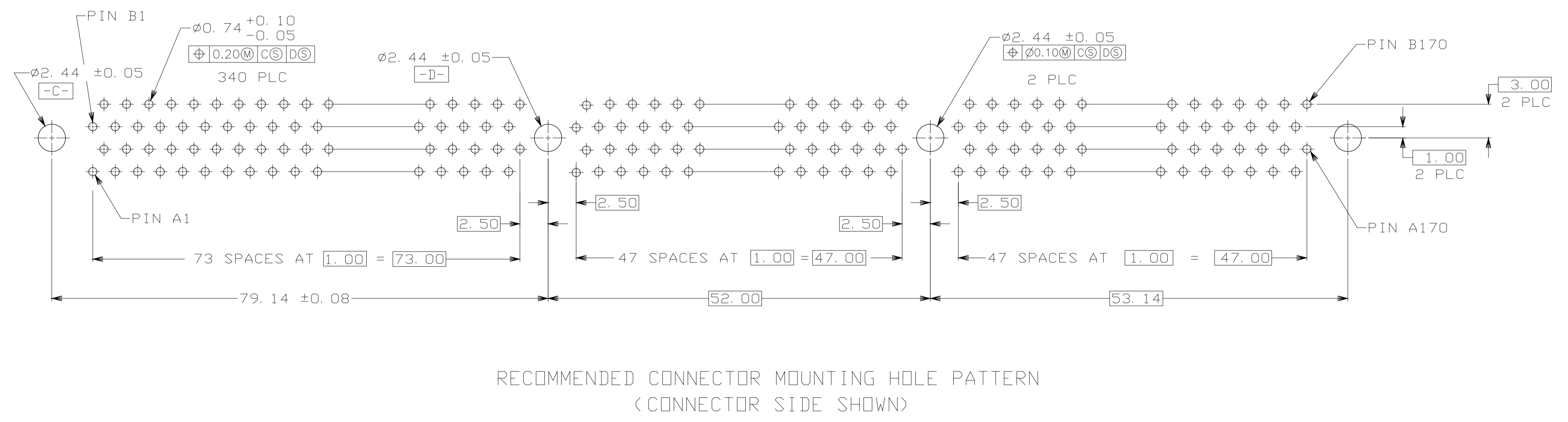
REVISION	DATE	BY	CHK	APPD	DESCRIPTION
4	3.18				5145275-6
	2.54				5145275-5
	3.18				5145275-3
	2.54				5145275-2
	2.16				5145275-1

THIS DRAWING IS A CONTROLLED DOCUMENT.		DMN: GAVIN ZHANG 22MAR05		Tyco Electronics Corporation Shanghai, P.R.China, 200233	
DIMENSIONS: mm		CHK: STEVEN YAO 22MAR05		NAME: ASSEMBLY, 340 POSITION 1mm, CARD EDGE CONNECTOR	
TOLERANCES UNLESS OTHERWISE SPECIFIED:		APPD: IENOMOTO 22MAR05		SIZE: A1	
0 PLC ± -		PRODUCT SPEC		CAGE CODE: 00779	
1 PLC ± -		APPLICATION SPEC		DRAWING NO: 5145275	
2 PLC ± 0.13		WEIGHT		RESTRICTED TO	
3 PLC ± 0.013		CUSTOMER DRAWING		SCALE: 4:1	
4 PLC ± -		SCALE: 4:1		SHEET 1 OF 2	
ANGLES ± °		SCALE: 4:1		REV 01	

LOC		DIST		REVISIONS			
P	LTR	DESCRIPTION	DATE	DNW	APVD		
-	-	SEE SHEET 1/2	-	-	-	-	-



DETAIL D
SCALE 10:1



RECOMMENDED CONNECTOR MOUNTING HOLE PATTERN
(CONNECTOR SIDE SHOWN)

THIS DRAWING IS A CONTROLLED DOCUMENT.		DIN GAVIN ZHANG 22MAR05		Tyco Electronics Tyco Electronics Corporation	
DIMENSIONS: mm		CHK STEVEN YAO 22MAR05		Shanghai, P.R.China, 200233	
TOLERANCES UNLESS OTHERWISE SPECIFIED:		APVD IENOMOTO 22MAR05		NAME ASSEMBLY, 340 POSITION	
0 PLC ± -		PRODUCT SPEC		1mm, CARD EDGE CONNECTOR	
1 PLC ± -		APPLICATION SPEC		SIZE A1	
2 PLC ± 0.13		WEIGHT		CAGE CODE 00779	
3 PLC ± -		CUSTOMER DRAWING		DRAWING NO. 5145275	
4 PLC ± -		SCALE 4:1		SHEET 2 OF 2	
ANGLES ± 2'		REV 01			

X-ON Electronics

Largest Supplier of Electrical and Electronic Components

Click to view similar products for [Standard Card Edge Connectors](#) category:

Click to view products by [TE Connectivity](#) manufacturer:

Other Similar products are found below :

[CR7E-30DB-3.96E\(72\)](#) [6364499-1](#) [6565204-6](#) [PKC-156](#) [1437274-4](#) [147889-1](#) [1489165-4](#) [EBT15622B2X](#) [1-582587-1](#) [284-0102-12100](#)
[286-0052-12101A](#) [306022901000000](#) [307-012-502-202](#) [307-056-520-300](#) [2129318-1](#) [245-062-520-350](#) [287-0032-12101](#) [306-028-525-102](#)
[307-072-526-202](#) [345-060-559-303](#) [392-008-559-201](#) [534671-1](#) [341-240-317](#) [345-044-500-300](#) [346-240-318](#) [395-100-524-300](#) [09-07-2032](#)
[10035388-802LF](#) [10115859-011LF](#) [10122859-009LF](#) [10127905-B04B24BLF](#) [530555-1](#) [5-678046-1](#) [73726-0005](#) [66308-1](#) [1-1437275-6](#)
[PEC-07-02-T-S-A](#) [346-014-520-801](#) [307-048-502-202](#) [CE100F22-9-C](#) [CE100F26-7-C](#) [CE100F28-3-D](#) [CE156F18-9-C](#) [CE156F22-5-D](#)
[CE156F22-9-C](#) [CT100F22-2-D](#) [CT100F22-3-D](#) [CT100F24-2-D](#) [CT100F24-3-D](#) [CT100F24-6-C](#)