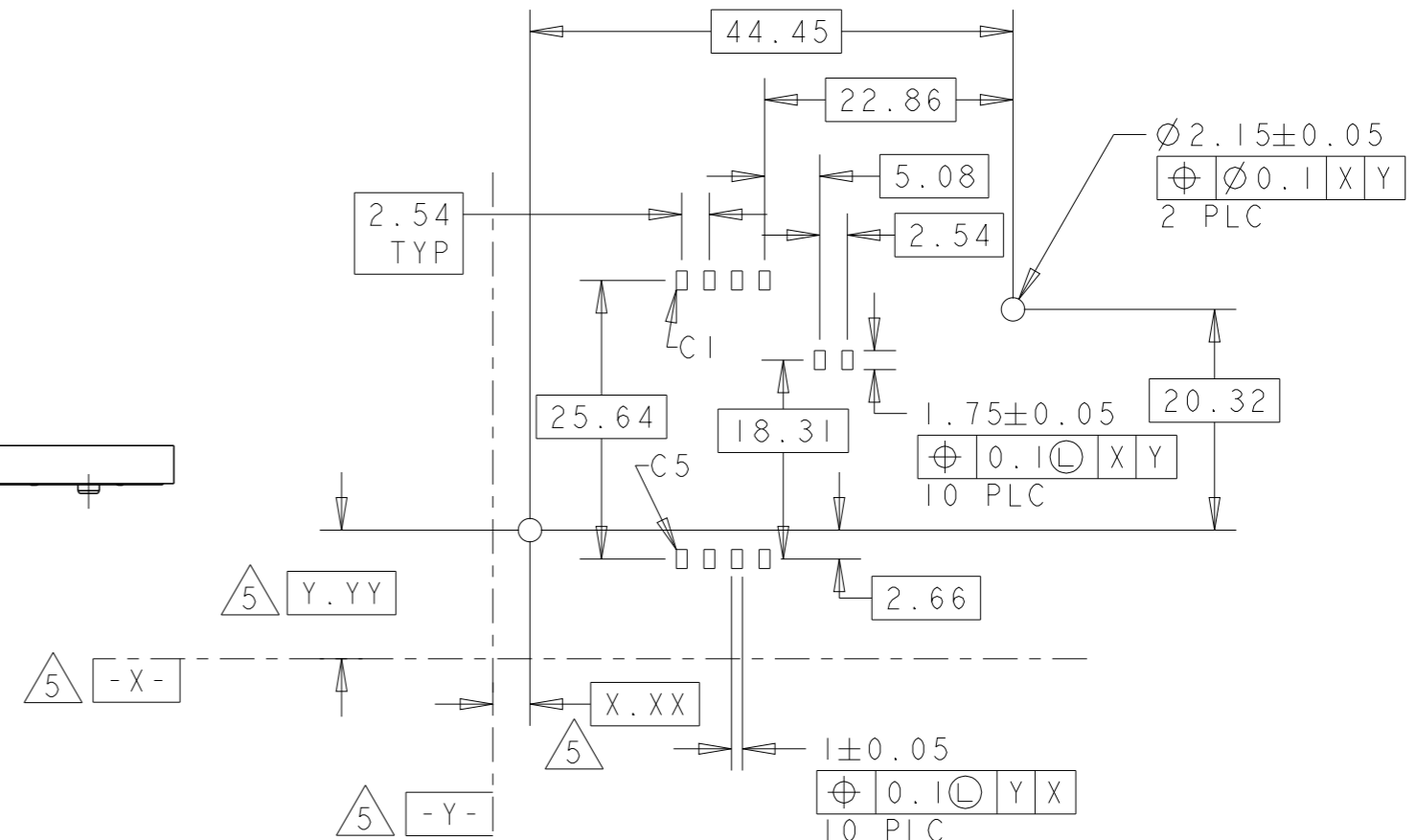
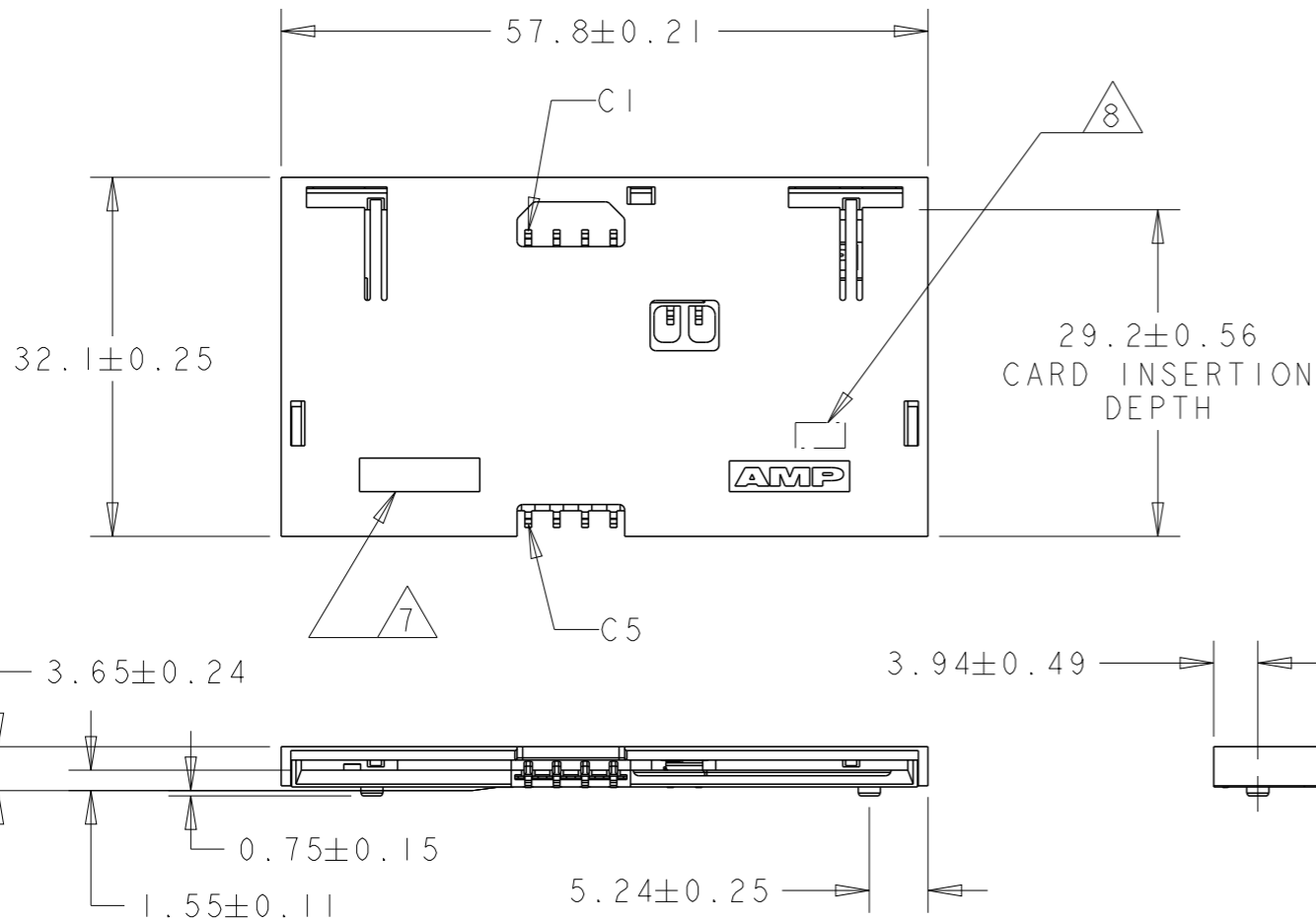


THIS DRAWING IS UNPUBLISHED. RELEASED FOR PUBLICATION 20
 © COPYRIGHT 20 BY - ALL RIGHTS RESERVED.

LOC	DIST	REVISIONS			
P	LTR	DESCRIPTION	DATE	DWN	APVD
GP	00	C3	REVISED PER ECR-12-005639	26MAR2012	S.Y H.K



- 1 MATERIALS: HOUSING: THERMOPLASTIC, COLOR: BLACK, CONTACTS: COPPER ALLOY.
- 2 FINISH: CONTACTS: GOLD PLATE ON MATING SURFACE, TIN-LEAD ON SOLDER TAIL, ALL OVER NICKEL UNDERPLATE.
- 3 CONNECTOR WITHOUT COVER, SHOWN ON PAGE 2.
- 4. CARD DETECTION SWITCH NORMALLY OPEN.
- 5 DATUMS AND DIMENSIONS ESTABLISHED BY CUSTOMER.
- 6 TOP SURFACE OF THE MATING CARD TO BE HELD .875±.025 ABOVE THE MAJOR TOP SURFACE OF THE BOTTOM HOUSING.
- 7 PLASTIC MATERIAL IDENTIFICATION PER ISO 11469.
- 8 MANUFACTURING LOCATION IDENTIFIER.

3 6	.000127	250	72	REEL	8	5145300-5
	.000127	250	72	REEL	8	5145300-4
	.000127	21	329.0 x 229.0	TRAY	8	5145300-3
	.00076	28	333.5 x 288.8	TRAY	8	5145300-2
3 6	.00076	28	333.5 x 288.8	TRAY	8	5145300-1
	GOLD PLATING MIN THICKNESS	QTY/UNIT PACKAGE	PACKAGE SIZE	PACKAGE	CONTACT POSITIONS	PART NUMBER

THIS DRAWING IS A CONTROLLED DOCUMENT.

DWN G.PETERS 27NOV05
 CHK D.GORENC 27NOV05
 APVD M.WALMSLEY 27NOV05

PRODUCT SPEC 108-1742
 APPLICATION SPEC

WEIGHT

CUSTOMER DRAWING

SCALE 2:1 SHEET 1 OF 5 REV C3

RESTRICTED TO

STE TE Connectivity

NAME SURFACE MOUNT SMART CARD W/ CARD DETECTION SWITCH

SIZE A3 CAGE CODE 00779 DRAWING NO C-5145300

DIMENSIONS:	TOLERANCES UNLESS OTHERWISE SPECIFIED:
mm	
	0 PLC ±0.5
	1 PLC ±0.25
	2 PLC ±0.15
	3 PLC ±0.05
	4 PLC ±0.03
	ANGLES ±5°
MATERIAL 1	FINISH 2

THIS DRAWING IS UNPUBLISHED.

RELEASED FOR PUBLICATION

20

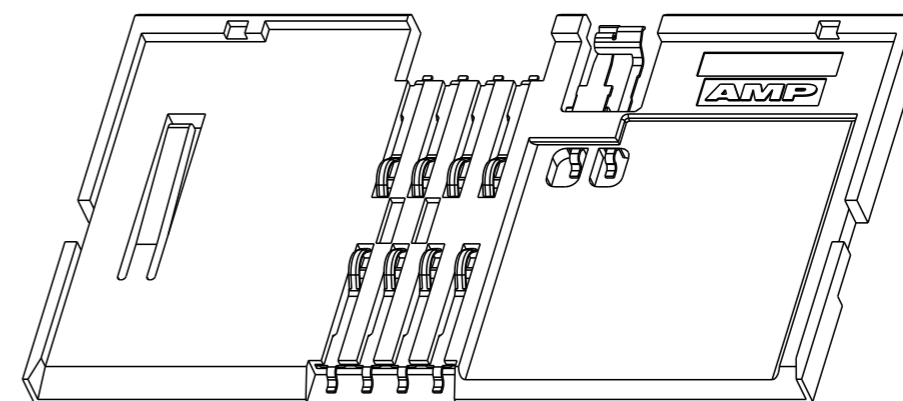
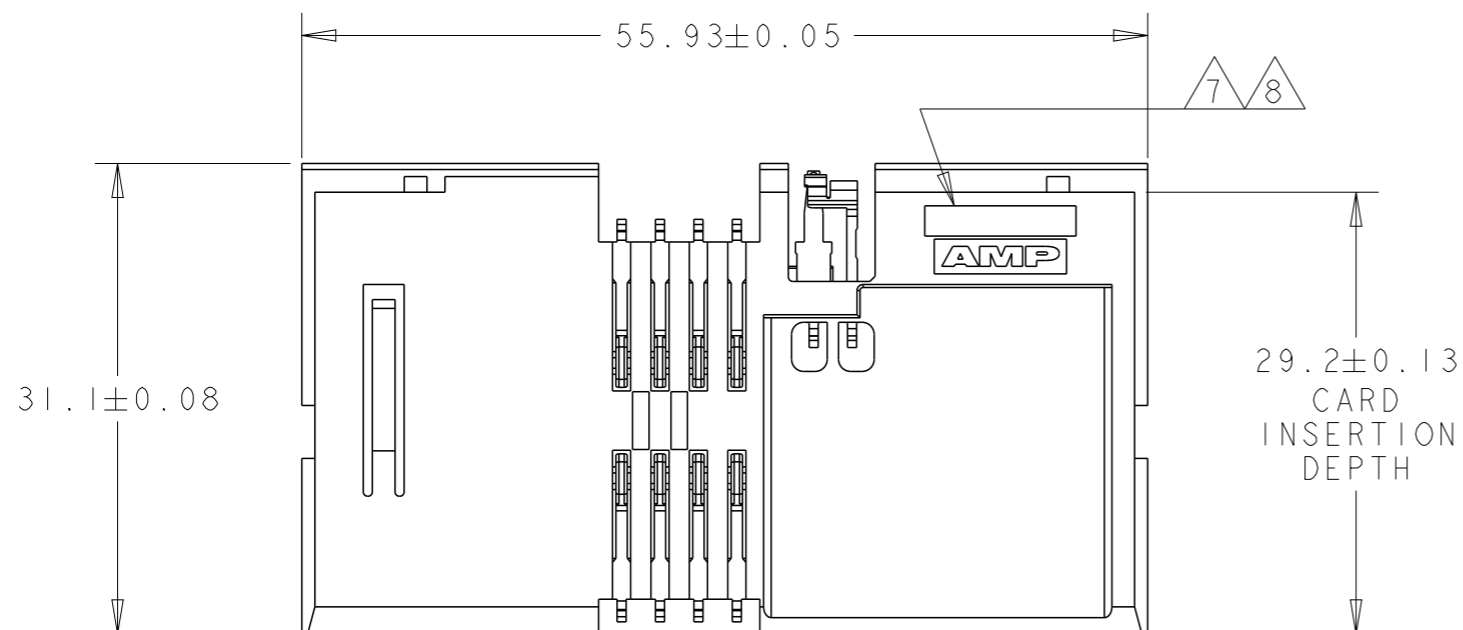
© COPYRIGHT 20 BY -

ALL RIGHTS RESERVED.

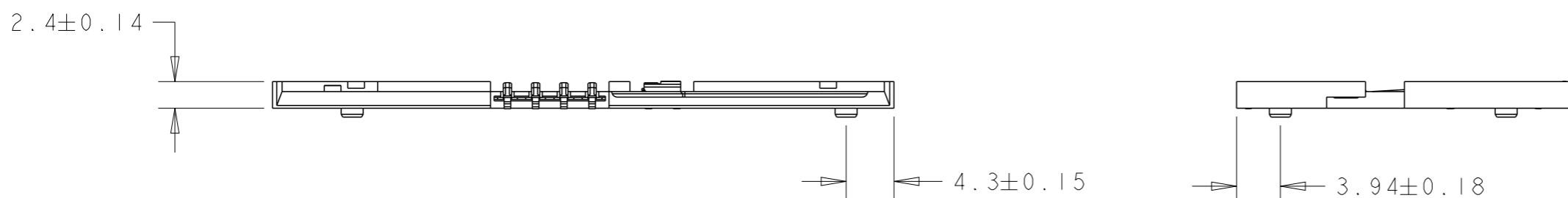
LOC GP DIST 00

REVISIONS

P	LTR	DESCRIPTION	DATE	DWN	APVD
-	-	SEE SHEET 1	-	-	-



3 145300-1 DEPICTED ON THIS PAGE.



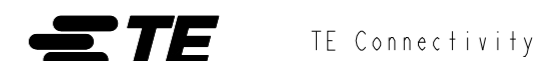
THIS DRAWING IS A CONTROLLED DOCUMENT.

DIMENSIONS: mm	

TOLERANCES UNLESS OTHERWISE SPECIFIED:	
0 PLC	±0.5
1 PLC	±0.25
2 PLC	±0.15
3 PLC	±0.05
4 PLC	±0.03
ANGLES	±5°
FINISH	

MATERIAL

DWN	G. PETERS	27NOV05
CHK	D. GORENC	27NOV05
APVD	M. WALMSLEY	27NOV05
PRODUCT SPEC	108-1742	
APPLICATION SPEC	-	
WEIGHT	-	



SURFACE MOUNT
SMART CARD
W/ CARD DETECTION SWITCH

NAME	-			RESTRICTED TO	-
SIZE	CAGE CODE	DRAWING NO	-		
A3	00779	C-5145300	-		
CUSTOMER DRAWING	SCALE	SHEET	OF	REV	
	2:1	2	5	C3	

4

3

2

1

THIS DRAWING IS UNPUBLISHED.

RELEASED FOR PUBLICATION

20

© COPYRIGHT 20

BY -

ALL RIGHTS RESERVED.

LOC
GPDIST
00

REVISIONS

P	LTR	DESCRIPTION	DATE	DWN	APVD
-	-	SEE SHEET 1	-	-	-

6X 45.7±0.5

1.4±0.5 TYP

12.7±0.5

3X 69.5±0.5

34.75±0.5

288.8±0.8

333.5±0.8

TRAY PACKAGING FOR 5145300-1 AND 5145300-2

THIS DRAWING IS A CONTROLLED DOCUMENT.

DWN G. PETERS 27NOV05

CHK D. GORENC 27NOV05

APVD M. WALMSLEY 27NOV05

PRODUCT SPEC

108-1742

APPLICATION SPEC

WEIGHT

CUSTOMER DRAWING

DIMENSIONS:

mm

TOLERANCES UNLESS OTHERWISE SPECIFIED:

0 PLC	±0.5
1 PLC	±0.25
2 PLC	±0.15
3 PLC	±0.05
4 PLC	±0.03
ANGLES	±5°

MATERIAL

FINISH

TE Connectivity

NAME

SURFACE MOUNT
SMART CARD
W/ CARD DETECTION SWITCH

SIZE

A300779

CAGE CODE

DRAWING NO

G-5145300

RESTRICTED TO

-

SCALE 1:2

SHEET 3 OF 5

REV C3

1470-19 (3/11)

THIS DRAWING IS UNPUBLISHED.

RELEASED FOR PUBLICATION

20

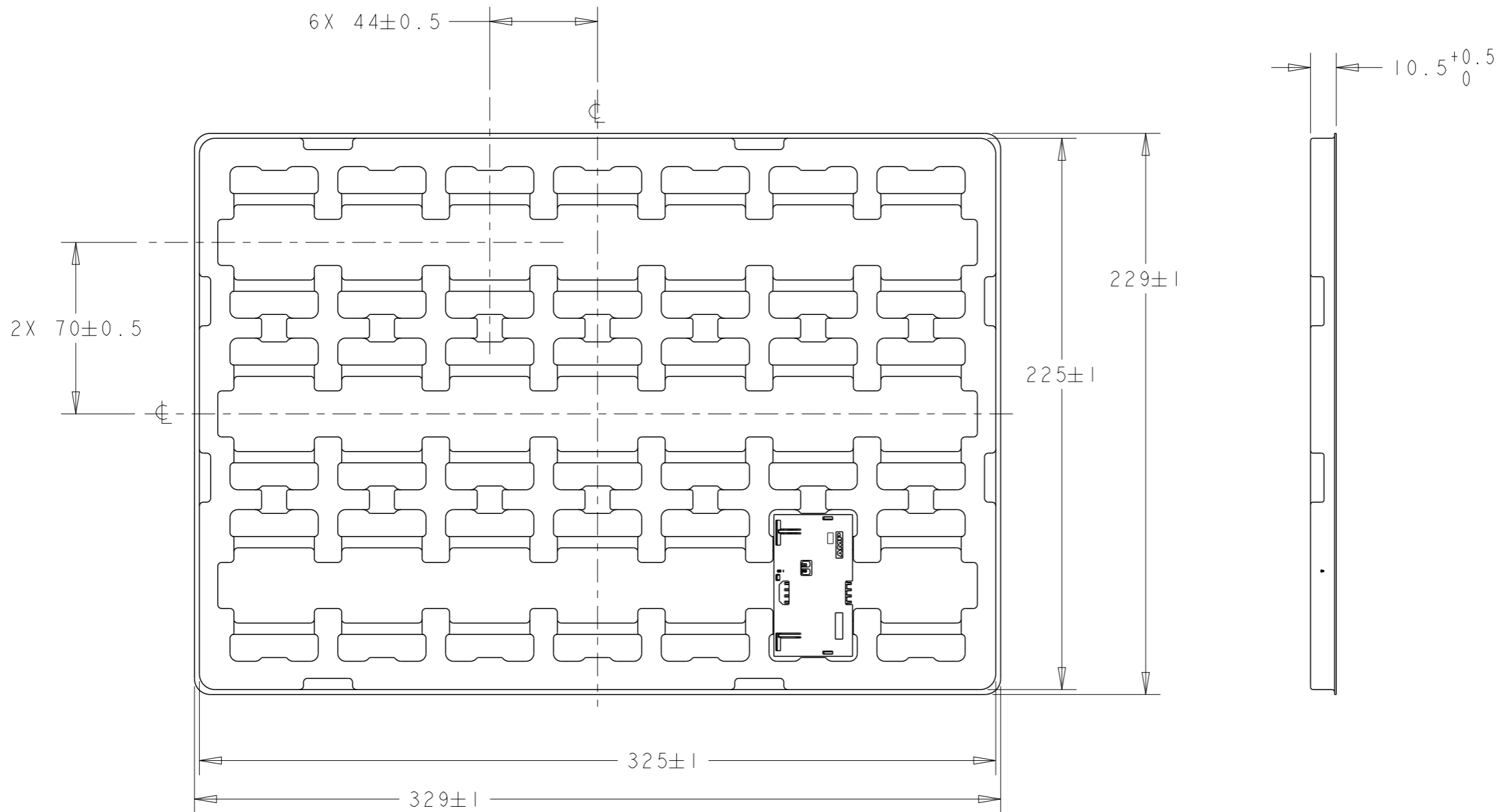
© COPYRIGHT 20 BY -

ALL RIGHTS RESERVED.

LOC GP DIST 00

REVISIONS

P	LTR	DESCRIPTION	DATE	DWN	APVD
-	-	SEE SHEET 1	-	-	-



TRAY PACKAGING FOR 5145300-3

THIS DRAWING IS A CONTROLLED DOCUMENT.

DIMENSIONS: mm		TOLERANCES UNLESS OTHERWISE SPECIFIED:	
		0 PLC	±0.5
		1 PLC	±0.25
		2 PLC	±0.15
		3 PLC	±0.05
		4 PLC	±0.03
MATERIAL		FINISH	

DWN	G. PETERS	27NOV05
CHK	D. GORENC	27NOV05
APVD	M. WALMSLEY	27NOV05
PRODUCT SPEC	108-1742	
APPLICATION SPEC	-	
WEIGHT	-	
CUSTOMER DRAWING		

				TE Connectivity	
NAME SURFACE MOUNT SMART CARD W/ CARD DETECTION SWITCH					
SIZE	CAGE CODE	DRAWING NO	RESTRICTED TO		
A3	00779	5145300	-		
SCALE 1:2			SHEET 4 OF 5		REV C3

4

3

2

1

THIS DRAWING IS UNPUBLISHED.

RELEASED FOR PUBLICATION

20

© COPYRIGHT 20 BY -

ALL RIGHTS RESERVED.

LOC	DIST
GP	00

REVISIONS

P	LTR	DESCRIPTION	DATE	DWN	APVD
-	-	SEE SHEET 1	-	-	-

(4) → → → →
(2) → → → →

(32.1) CARD DIMENSION

(34.2)

(72)

K ←

K ←

(40)

(57.8) CARD DIMENSION

(3.65) CARD DIMENSION

→ CUSTOMER DE-REEL DIRECTION

SECTION K-K


TAPE PACKAGING FOR 5145300-4, 5145300-5
SCALE 1:1

(74) INSIDE WIDTH
(78) OUTSIDE WIDTH

(∅100)

(∅330)

PLASTIC REEL DETAILS FOR 5145300-4, 5145300-5
SCALE 1:10

THIS DRAWING IS A CONTROLLED DOCUMENT.		DWN G. PETERS 27NOV05	 TE Connectivity	
DIMENSIONS: mm		CHK D. GORENC 27NOV05		
TOLERANCES UNLESS OTHERWISE SPECIFIED:		APVD M. WALMSLEY 27NOV05	NAME SURFACE MOUNT SMART CARD W/ CARD DETECTION SWITCH	
0 PLC ±0.5 1 PLC ±0.25 2 PLC ±0.15 3 PLC ±0.05 4 PLC ±0.03 ANGLES ±5°		PRODUCT SPEC 108-1742	SIZE A300779	
MATERIAL		APPLICATION SPEC	CAGE CODE C-5145300	DRAWING NO 5145300
FINISH		WEIGHT	RESTRICTED TO	
CUSTOMER DRAWING		SCALE 2:1		SHEET 5 OF 5
				REV C3

1470-19 (3/11)

X-ON Electronics

Largest Supplier of Electrical and Electronic Components

Click to view similar products for [Memory Card Connectors](#) category:

Click to view products by [TE Connectivity](#) manufacturer:

Other Similar products are found below :

[M21-033321-005](#) [6407-249V-25273P](#) [6407-249V-25343P](#) [6426-201-21343](#) [69.920.0553.0](#) [FCN-568P068-G/07-4V](#) [809180410000000](#)
[HMCAP001](#) [252-0144-000](#) [2041353-2](#) [33CFAE-DN](#) [502431-1011](#) [617230001](#) [NX1-32T-KT3K\(05\)](#) [95622-003LF](#) [N7E50-U516RB-50-](#)
[SIN0005](#) [95079-00CALF](#) [33DVIR-29S12R](#) [125A-78C00](#) [MI20A-50PD-SF-EJL\(71\)](#) [KP10S-SF-PEJ\(812\)](#) [504536-0691](#) [504580-0691](#)
[CCM03-3109 B LFT](#) [MI21-50PD-SF\(91\)](#) [2309923-1](#) [61126-050CAHLF](#) [IC1GA-68PD-1.27DS-EJ\(72\)](#) [GTFP08432B1HR](#)
[G85DT17001P1EU](#) [G85B21611142HHR](#) [GSD090144HR](#) [G85D1140022P1HR](#) [GMCB05801124EU](#) [G85C11101152HHR](#)
[G85B231021B1HR](#) [G85D1160022HHR](#) [123A-21M00](#) [123A-30B00](#) [123A-30A00](#) [123A-21A00](#) [123A-21B00](#) [123A-21E00](#) [123A-30E00](#)
[123A-30M00](#) [123A-40A00](#) [123A-40E00](#) [123A-40M00](#) [123A-58B01](#) [123A-85BA0](#)