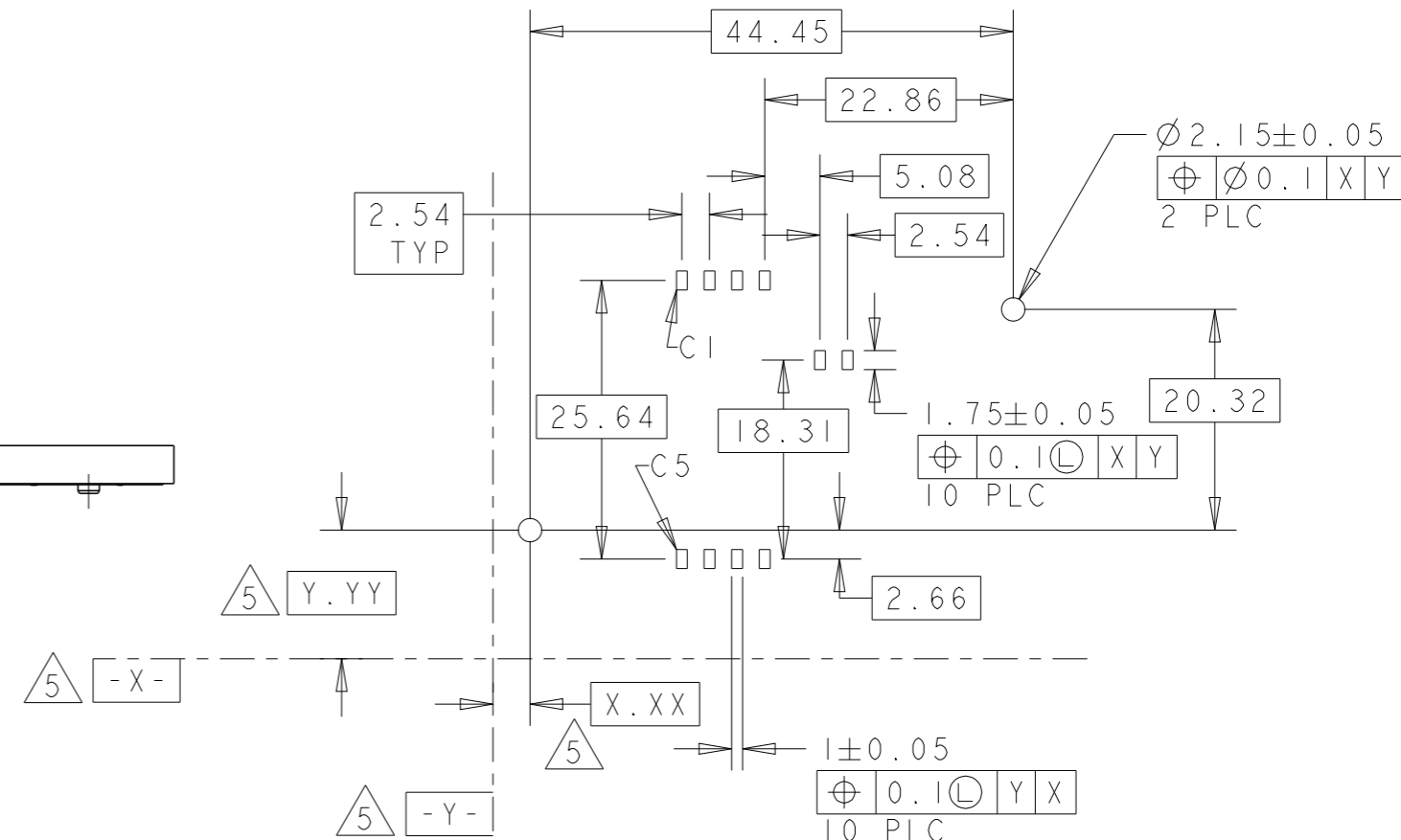
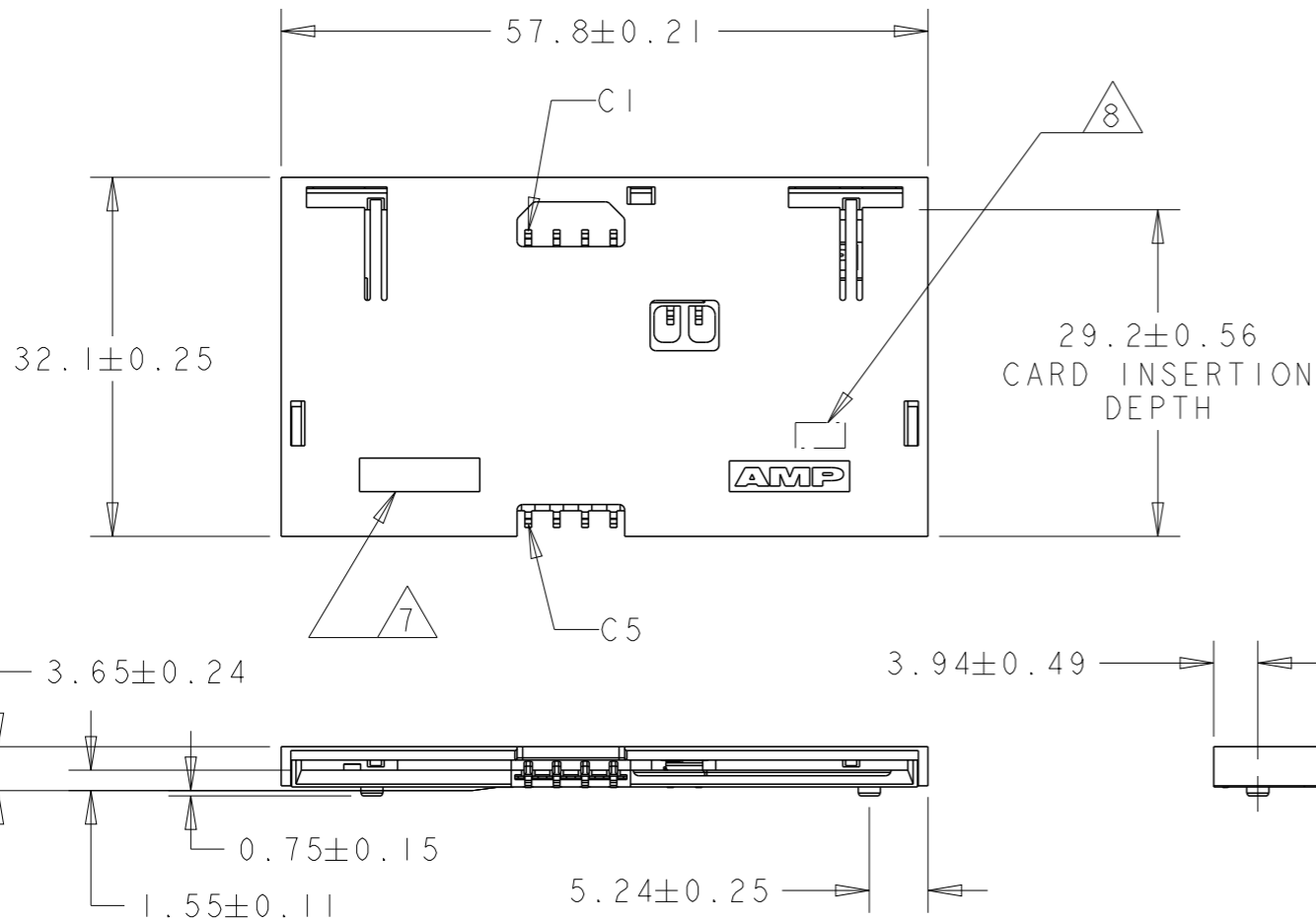


LOC	DIST	REVISIONS			
P	LTR	DESCRIPTION	DATE	DWN	APVD
GP	00	C3	REVISED PER ECR-12-005639	26MAR2012	S.Y H.K



1 MATERIALS: HOUSING: THERMOPLASTIC, COLOR: BLACK, CONTACTS: COPPER ALLOY.

2 FINISH: CONTACTS: GOLD PLATE ON MATING SURFACE, TIN-LEAD ON SOLDER TAIL, ALL OVER NICKEL UNDERPLATE.

3 CONNECTOR WITHOUT COVER, SHOWN ON PAGE 2.

4. CARD DETECTION SWITCH NORMALLY OPEN.


5 DATUMS AND DIMENSIONS ESTABLISHED BY CUSTOMER.

6 TOP SURFACE OF THE MATING CARD TO BE HELD .875±.025 ABOVE THE MAJOR TOP SURFACE OF THE BOTTOM HOUSING.

7 PLASTIC MATERIAL IDENTIFICATION PER ISO 11469.

8 MANUFACTURING LOCATION IDENTIFIER.

3 6	.000127	250	72	REEL	8	5145300-5
	.000127	250	72	REEL	8	5145300-4
	.000127	21	329.0 x 229.0	TRAY	8	5145300-3
	.00076	28	333.5 x 288.8	TRAY	8	5145300-2
3 6	.00076	28	333.5 x 288.8	TRAY	8	5145300-1
	GOLD PLATING MIN THICKNESS	QTY/UNIT PACKAGE	PACKAGE SIZE	PACKAGE	CONTACT POSITIONS	PART NUMBER

THIS DRAWING IS A CONTROLLED DOCUMENT.		DWN G.PETERS 27NOV05	 TE Connectivity		
DIMENSIONS: mm		CHK D.GORENC 27NOV05			
TOLERANCES UNLESS OTHERWISE SPECIFIED:		APVD M.WALMSLEY 27NOV05			
0 PLC ±0.5 1 PLC ±0.25 2 PLC ±0.15 3 PLC ±0.05 4 PLC ±0.03 ANGLES ±5°		NAME			
MATERIAL 1		FINISH 2	PRODUCT SPEC 108-1742 APPLICATION SPEC WEIGHT CUSTOMER DRAWING		
		SIZE A3	CAGE CODE 00779	DRAWING NO C-5145300	RESTRICTED TO
		SCALE 2:1	SHEET 1 OF 5	REV C3	

THIS DRAWING IS UNPUBLISHED.

RELEASED FOR PUBLICATION

20

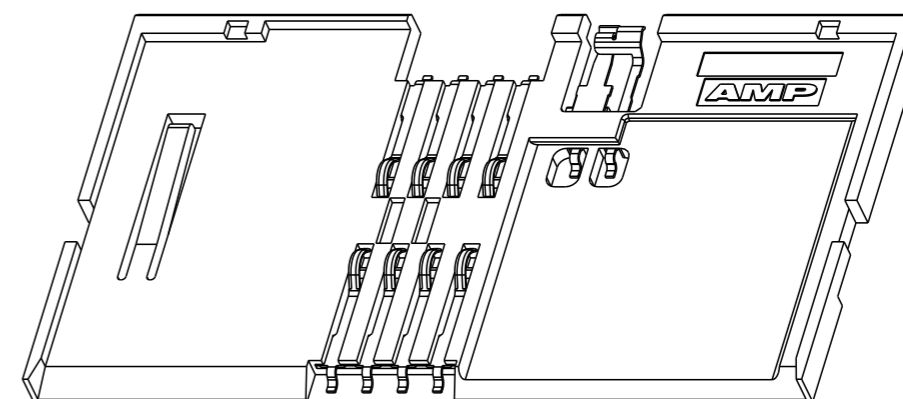
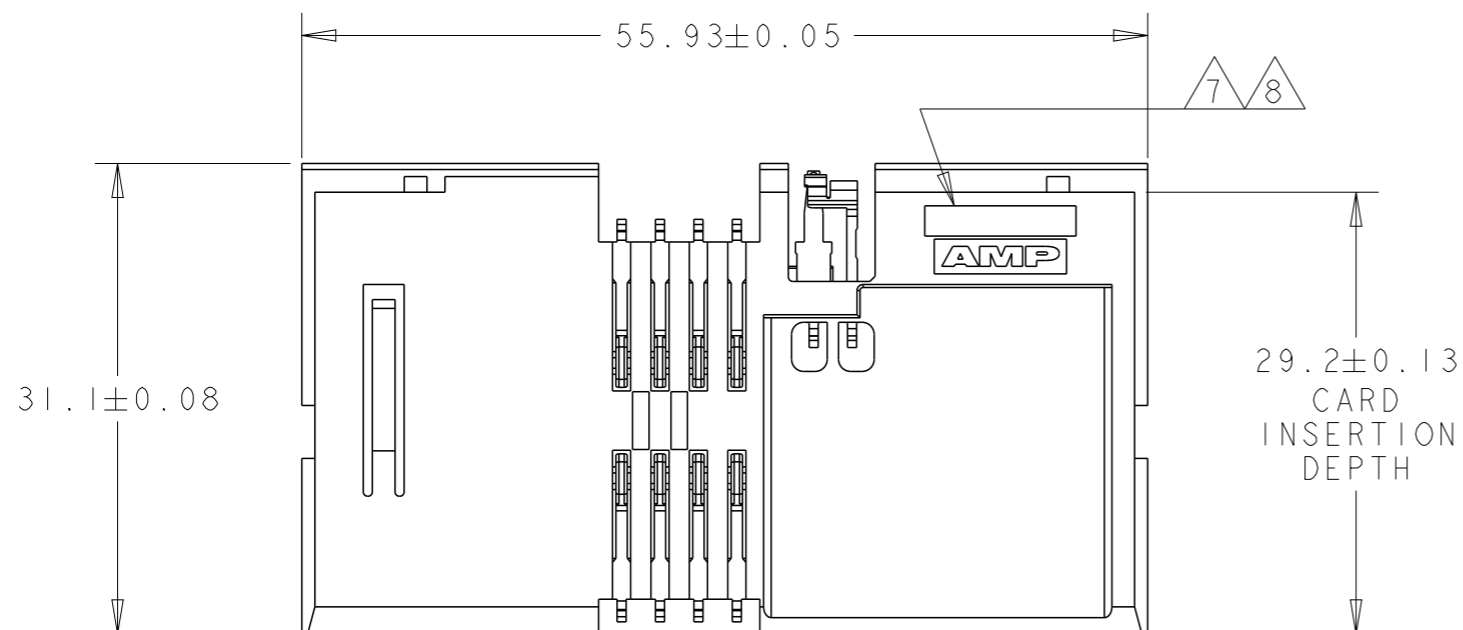
© COPYRIGHT 20 BY -

ALL RIGHTS RESERVED.

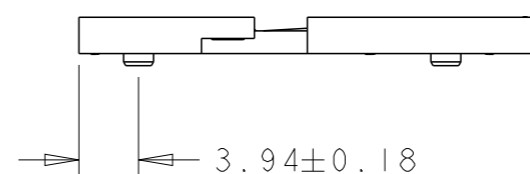
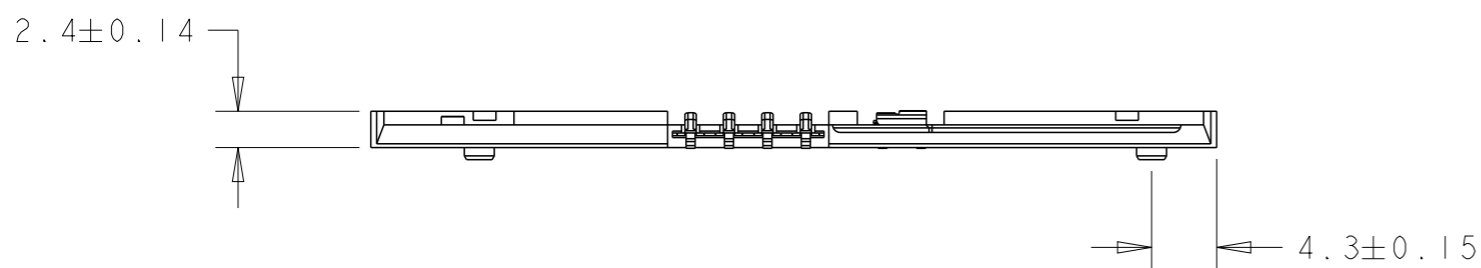
LOC GP DIST 00

REVISIONS

P	LTR	DESCRIPTION	DATE	DWN	APVD
-	-	SEE SHEET 1	-	-	-

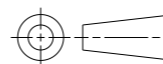


3 145300-1 DEPICTED ON THIS PAGE.



THIS DRAWING IS A CONTROLLED DOCUMENT.

DIMENSIONS: mm



TOLERANCES UNLESS OTHERWISE SPECIFIED:

- 0 PLC ±0.5
- 1 PLC ±0.25
- 2 PLC ±0.15
- 3 PLC ±0.05
- 4 PLC ±0.03
- ANGLES ±5°

MATERIAL

FINISH

DWN G. PETERS 27NOV05

CHK D. GORENC 27NOV05

APVD M. WALMSLEY 27NOV05

PRODUCT SPEC 108-1742

APPLICATION SPEC

WEIGHT

CUSTOMER DRAWING



NAME SURFACE MOUNT SMART CARD W/ CARD DETECTION SWITCH

SIZE A3 CAGE CODE 300779 DRAWING NO. C-5145300 RESTRICTED TO

SCALE 2:1 SHEET 2 OF 5 REV C3

4

3

2

1

THIS DRAWING IS UNPUBLISHED.

RELEASED FOR PUBLICATION

20

© COPYRIGHT 20 BY -


ALL RIGHTS RESERVED.

LOC	DIST
GP	00

REVISIONS

P	LTR	DESCRIPTION	DATE	DWN	APVD
-	-	SEE SHEET 1	-	-	-

TRAY PACKAGING FOR 5145300-1 AND 5145300-2

THIS DRAWING IS A CONTROLLED DOCUMENT.		DWN	G. PETERS	27NOV05	 TE Connectivity
DIMENSIONS:		CHK	D. GORENC	27NOV05	
mm		APVD	M. WALMSLEY	27NOV05	
TOLERANCES UNLESS OTHERWISE SPECIFIED:		PRODUCT SPEC	108-1742		NAME
0 PLC	±0.5	APPLICATION SPEC	-		SURFACE MOUNT
1 PLC	±0.25	WEIGHT	-		SMART CARD
2 PLC	±0.15	CUSTOMER DRAWING	-		W/ CARD DETECTION SWITCH
3 PLC	±0.05	SCALE	1:2		SIZE
4 PLC	±0.03	SHEET	3 OF 5		CAGE CODE
ANGLES	±5°	REV	C3		DRAWING NO
FINISH		RESTRICTED TO	-		5145300

1470-19 (3/11)

THIS DRAWING IS UNPUBLISHED.

RELEASED FOR PUBLICATION

20

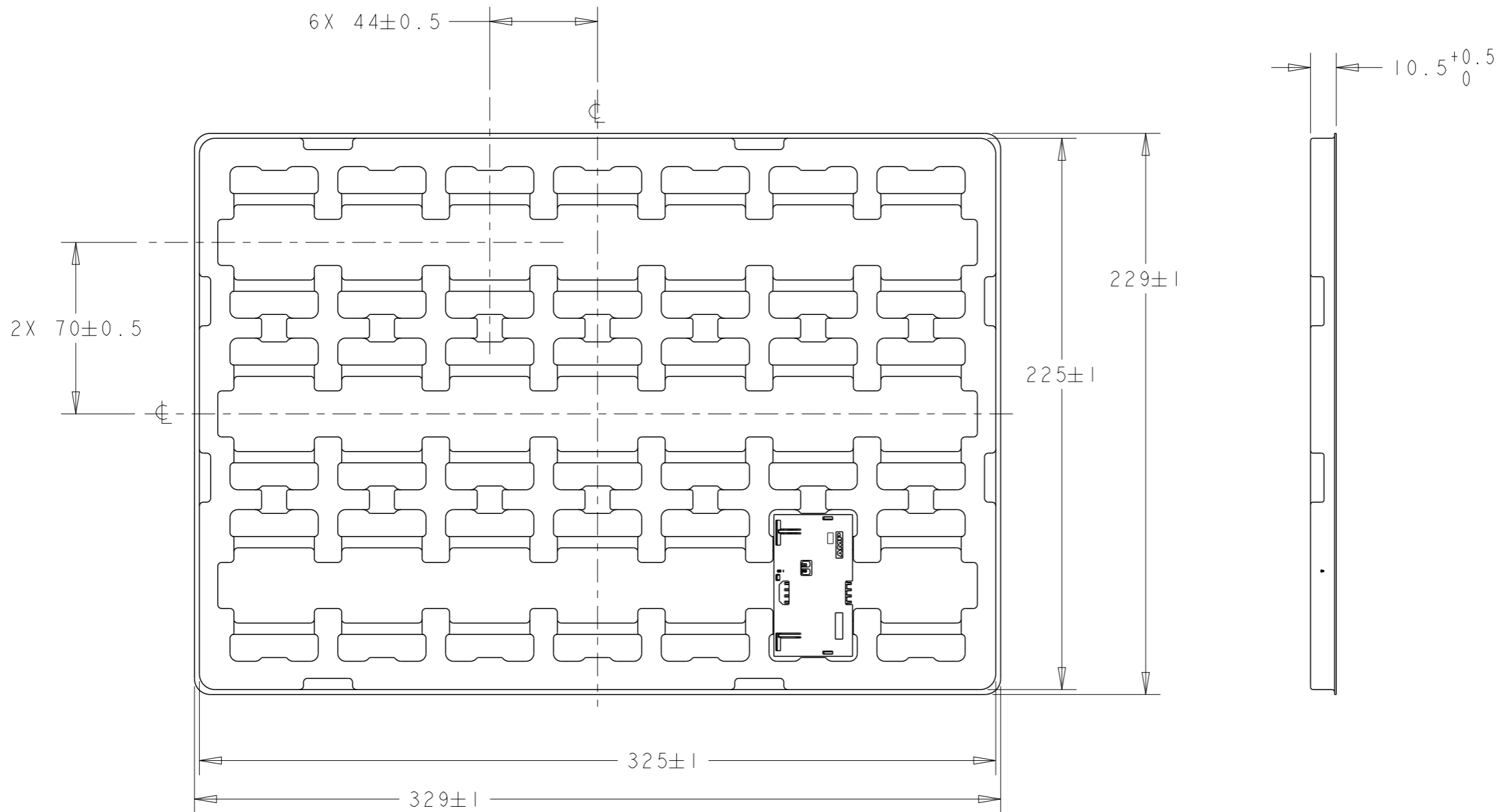
© COPYRIGHT 20 BY -

ALL RIGHTS RESERVED.

LOC GP DIST 00

REVISIONS

P	LTR	DESCRIPTION	DATE	DWN	APVD
-	-	SEE SHEET 1	-	-	-



TRAY PACKAGING FOR 5145300-3

THIS DRAWING IS A CONTROLLED DOCUMENT.

DIMENSIONS:	TOLERANCES UNLESS OTHERWISE SPECIFIED:
mm	0 PLC ±0.5
	1 PLC ±0.25
	2 PLC ±0.15
	3 PLC ±0.05
	4 PLC ±0.03
	ANGLES ±5°

MATERIAL FINISH

DWN	G. PETERS	27NOV05
CHK	D. GORENC	27NOV05
APVD	M. WALMSLEY	27NOV05
PRODUCT SPEC	108-1742	
APPLICATION SPEC	-	
WEIGHT	-	



SURFACE MOUNT
SMART CARD
W/ CARD DETECTION SWITCH

NAME	SIZE	CAGE CODE	DRAWING NO	RESTRICTED TO
	A3	00779	5145300	-

CUSTOMER DRAWING

SCALE 1:2 SHEET 4 OF 5 REV C3

THIS DRAWING IS UNPUBLISHED.

RELEASED FOR PUBLICATION

20

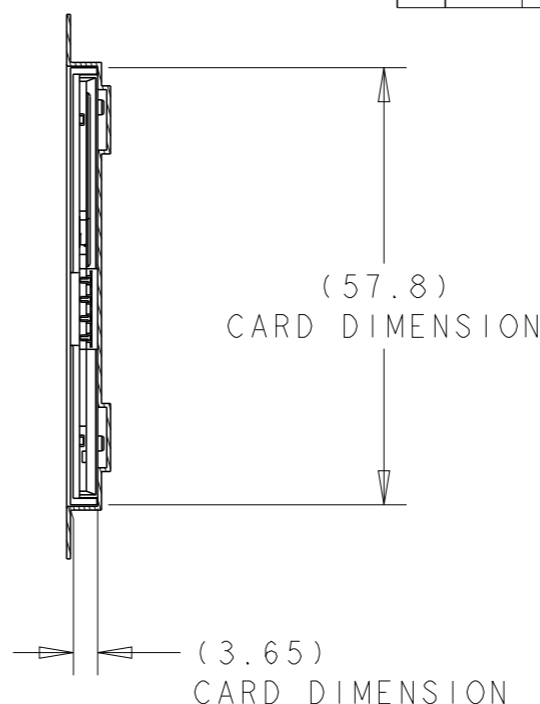
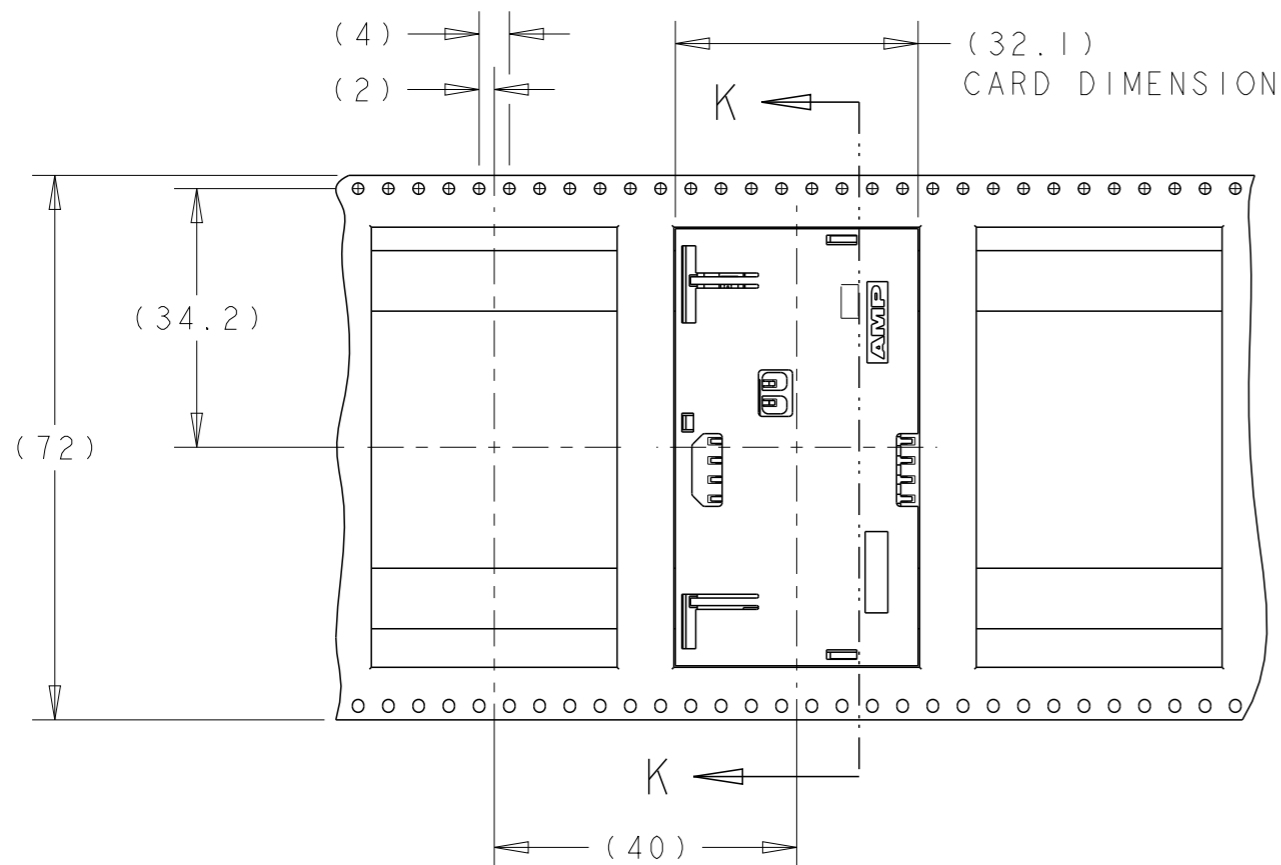
© COPYRIGHT 20 BY -

ALL RIGHTS RESERVED.

LOC GP DIST 00

REVISIONS

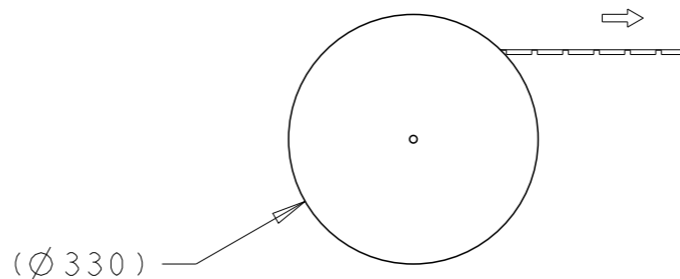
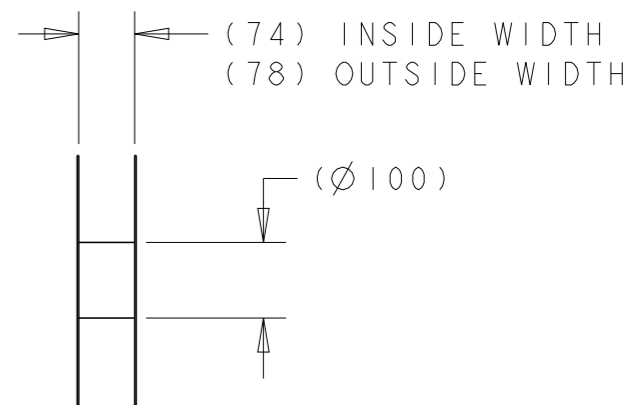
P	LTR	DESCRIPTION	DATE	DWN	APVD
	-	SEE SHEET 1	-	-	-




CUSTOMER DE-REEL DIRECTION

SECTION K-K

TAPE PACKAGING FOR 5145300-4, 5145300-5 SCALE 1:1



PLASTIC REEL DETAILS FOR 5145300-4, 5145300-5 SCALE 1:10

THIS DRAWING IS A CONTROLLED DOCUMENT.		DWN G. PETERS 27NOV05	 TE Connectivity	
DIMENSIONS: mm		CHK D. GORENC 27NOV05		
TOLERANCES UNLESS OTHERWISE SPECIFIED:		APVD M. WALMSLEY 27NOV05	NAME SURFACE MOUNT SMART CARD W/ CARD DETECTION SWITCH	
0 PLC ±0.5 1 PLC ±0.25 2 PLC ±0.15 3 PLC ±0.05 4 PLC ±0.03 ANGLES ±5°		PRODUCT SPEC 108-1742	SIZE A3 CAGE CODE G-5145300 DRAWING NO	
MATERIAL		FINISH	RESTRICTED TO	
		WEIGHT	SCALE 2:1 SHEET 5 OF 5 REV C3	
		CUSTOMER DRAWING		

X-ON Electronics

Largest Supplier of Electrical and Electronic Components

Click to view similar products for [Memory Card Connectors](#) category:

Click to view products by [TE Connectivity](#) manufacturer:

Other Similar products are found below :

[M21-033321-005](#) [6407-249V-25273P](#) [6407-249V-25343P](#) [6426-201-21343](#) [69.920.0553.0](#) [FCN-568P068-G/07-4V](#) [809180410000000](#)
[N7E50-7516PG-20-WF](#) [HMCAP001](#) [2041353-2](#) [33CFAE-DN](#) [MI21A-50PD-SF-EJR\(91\)](#) [502431-1011](#) [EN2997S61212BN](#)
[EN2997SE61212BN](#) [NX1-32T-KT3K\(05\)](#) [95622-003LF](#) [N7E50-U516RB-50-SIN0005](#) [95079-00CALF](#) [84648-056HLF](#) [33DVIR-29S12R](#)
[125A-78C00](#) [MI20A-50PD-SF-EJL\(71\)](#) [KP10S-SF-PEJ\(812\)](#) [504536-0691](#) [504580-0691](#) [CCM03-3109 B LFT](#) [MI21-50PD-SF\(91\)](#) [2309923-](#)
[1](#) [61126-050CAHLF](#) [IC1GA-68PD-1.27DS-EJ\(72\)](#) [GTFP08432B1HR](#) [G85DT17001P1EU](#) [G85B21611142HHR](#) [GSD090144HR](#)
[G85D1140022P1HR](#) [GMCB05801124EU](#) [G85C11101152HHR](#) [G85B231021B1HR](#) [G85D1160022HHR](#) [055036006202862+](#) [112K-TAA0-](#)
[RA1](#) [115S-ACA2](#) [115S-ACA3](#) [115S-BS00](#) [115S-BT00](#) [115V-AD00](#) [MCSP-Q1-08-A-SG-T/R](#) [503960-0695](#) [101B-TAA0-R](#)