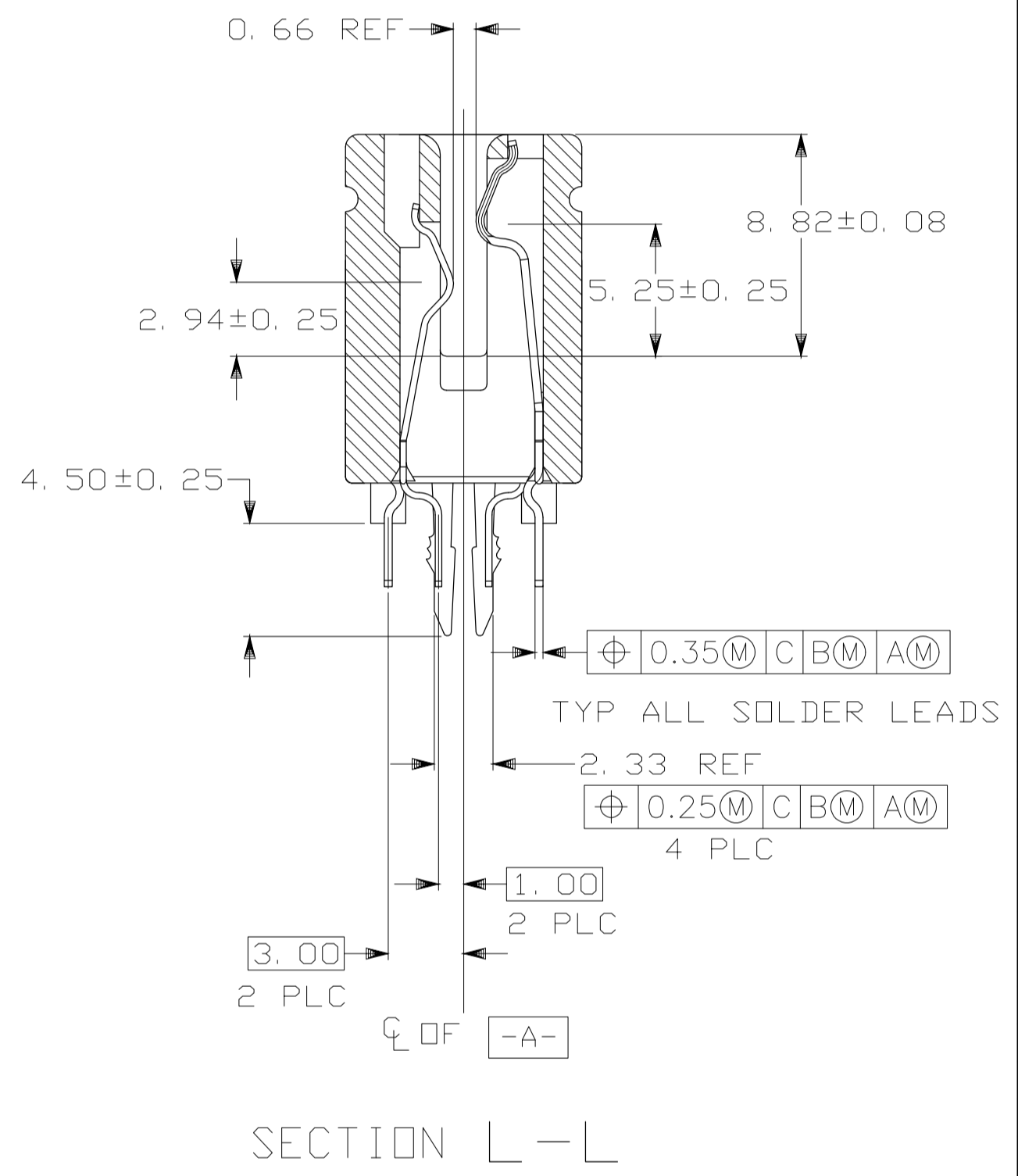
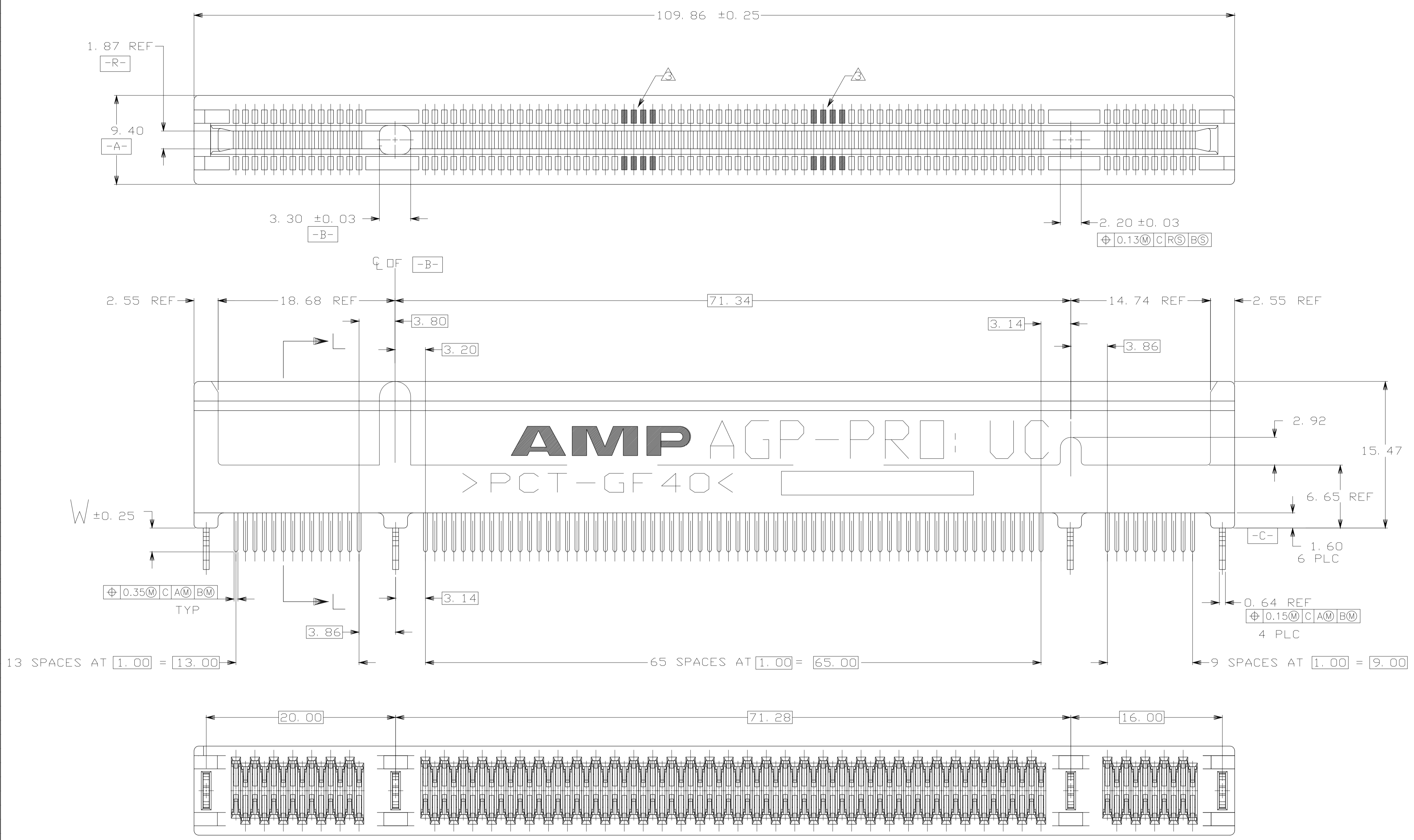


| LOC | | DIST | | REVISIONS | | | |
|-----|-----|------------------------|---------|-----------|------|--|--|
| P | LTR | DESCRIPTION | DATE | DMN | APVD | | |
| A | | RELEASED ECO-09-025010 | 06NOV09 | F.L | S.Y | | |

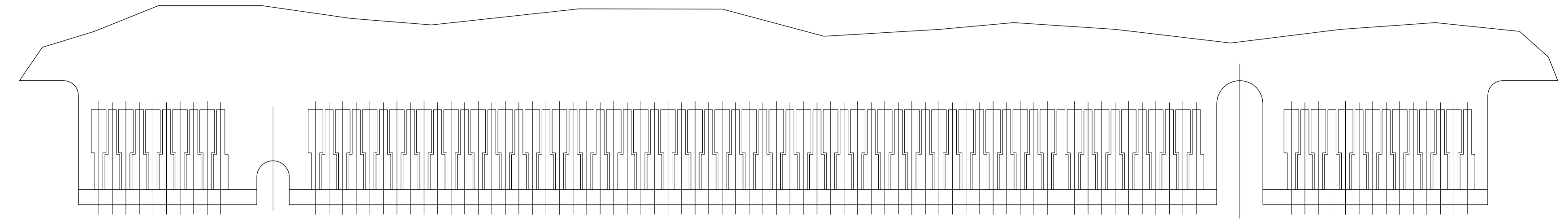


- △ MATERIAL: HOUSING, THERMOPLASTIC, COLOR: BROWN.
CONTACTS, PHOSPHOR BRONZE.
FASTENERS, BRASS.
- △ FINISH: CONTACTS, 1.27 MIN. MICROMETERS NICKEL ALL OVER,
0.38 MIN. MICROMETERS GOLD OVER NICKEL IN CONTACT AREA,
2.54 MIN MICROMETERS TIN OVER NICKEL ON SOLDER LEADS.
- △ SHADED CONTACT LOCATIONS ARE AT RISK OF DAMAGE DURING MATING AND UNMATING WITH AGP-1X AND AGP-2X/4X CIRCUITS.
- △ FINISH: FASTENERS, 1.27 MIN. MICROMETERS NICKEL ALL OVER,
3.81 MIN MICROMETERS BRIGHT TIN OVER NICKEL.
- △ FINISH: CONTACTS, 1.27 MIN. MICROMETERS NICKEL ALL OVER,
0.0254-0.0762 MICROMETERS GOLD OVER NICKEL IN CONTACT AREA.
2.54 MIN. MICROMETERS TIN OVER NICKEL ON SOLDER TAILS.

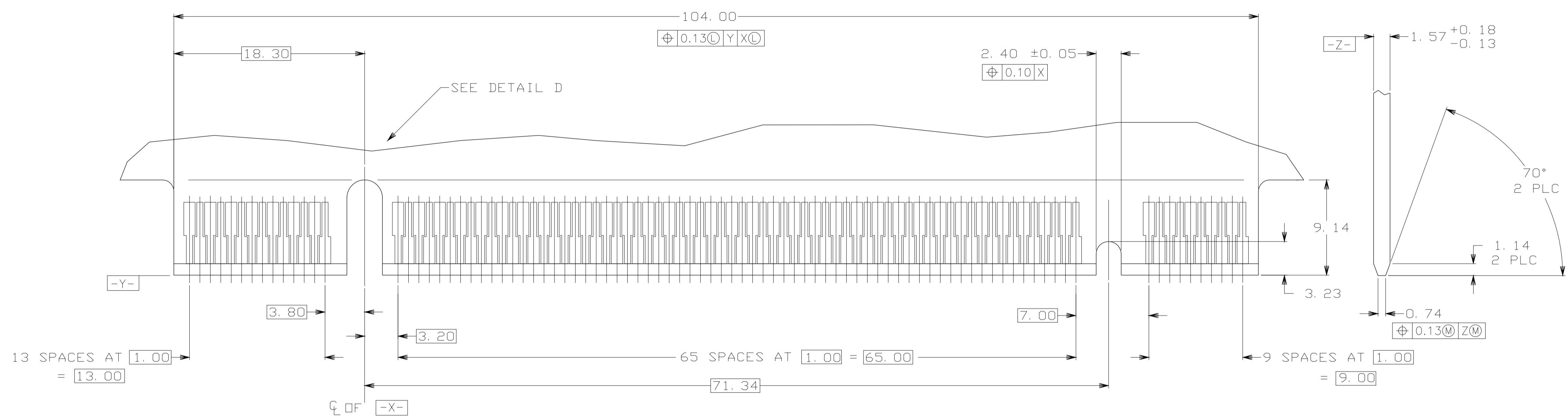
| | | | |
|-----------------|---------|------|-----------|
| OBSOLETE | △ △ | 3.18 | 5145409-6 |
| OBSOLETE | △ △ | 2.54 | 5145409-5 |
| OBSOLETE | △ △ | 3.18 | 5145409-3 |
| OBSOLETE | △ △ | 2.54 | 5145409-2 |
| OBSOLETE | △ △ | 2.16 | 5145409-1 |
| | PLATING | W | PART NO |

| | | | | |
|--|--------|-------------------------|---|-------|
| THIS DRAWING IS A CONTROLLED DOCUMENT. | | DMN Francis Lee 06NOV09 | Tyco Electronics Corporation Shanghai, P.R.China, 200233 | |
| DIMENSIONS: mm | | CHK Martin Li 06NOV09 | Tyco Electronics | |
| TOLERANCES UNLESS OTHERWISE SPECIFIED: | | APVD Steven Yao 06NOV09 | NAME | |
| 0 PLC ± - | | PRODUCT SPEC | | |
| 1 PLC ± - | | APPLICATION SPEC | | |
| 2 PLC ± 0.13 | | SIZE | | |
| 3 PLC ± - | | CAGE CODE | | |
| 4 PLC ± - | | DRAWING NO | | |
| ANGLES ± ° | | RESTRICTED TO | | |
| MATERIAL | FINISH | WEIGHT | A1 00779 C=5145409 | |
| CUSTOMER DRAWING | | SCALE 1:1 | SHEET 1 OF 2 | REV A |

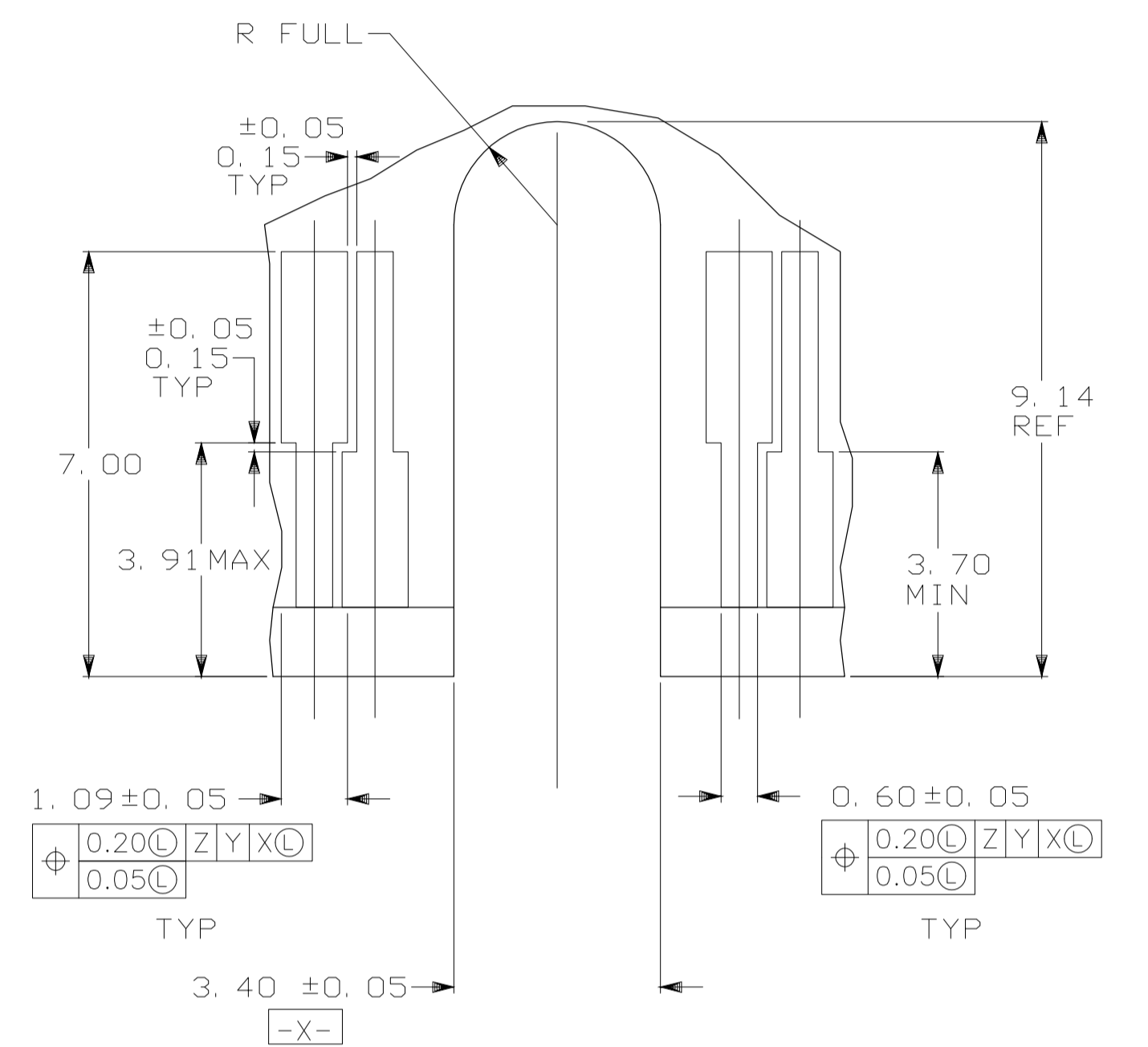
| LOC | | DIST | | REVISIONS | | | |
|-----|-----|-------------|------|-----------|------|---|---|
| P | LTR | DESCRIPTION | DATE | DN | APVD | | |
| - | - | SEE SHEET 1 | - | - | - | - | - |



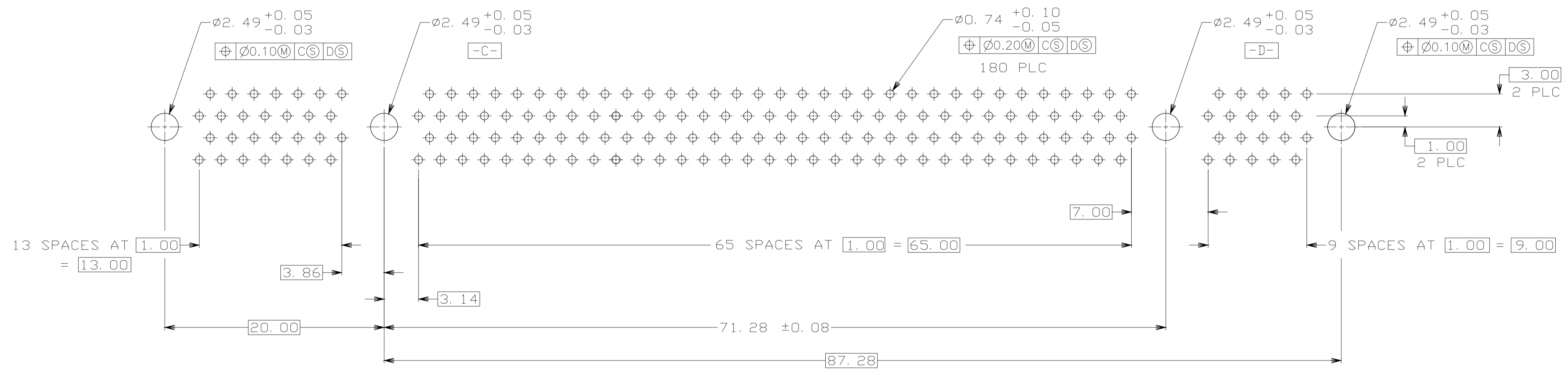
RECOMMENDED CONNECTOR MATING PAD PATTERN
 (SECONDARY SIDE SHOWN)



RECOMMENDED CONNECTOR MATING PAD PATTERN
 (PRIMARY SIDE SHOWN)



DETAIL D
 SCALE 10:1



RECOMMENDED CONNECTOR MOUNTING HOLE PATTERN
 (CONNECTOR SIDE SHOWN)

| | | | | | |
|--|--|-------------------------|--|--|--|
| THIS DRAWING IS A CONTROLLED DOCUMENT. | | DIN Francis Lee 06NOV09 | | Tyco Electronics Tyco Electronics Corporation | |
| DIMENSIONS: mm | | CHK Martin Li 06NOV09 | | Shanghai, P.R.China, 200233 | |
| TOLERANCES UNLESS OTHERWISE SPECIFIED: | | APVD Steven Yao 06NOV09 | | NAME | |
| 0 PLC ± - | | PRODUCT SPEC | | CONNECTOR ASSEMBLY, STANDARD EDGE, 1mm, AGP-PRO:UC, 180 POSITION | |
| 1 PLC ± - | | APPLICATION SPEC | | SIZE CASE CODE DRAWING NO | |
| 2 PLC ± 0.13 | | WEIGHT | | A1 00779 C=5145409 | |
| 3 PLC ± - | | CUSTOMER DRAWING | | SCALE 1:1 SHEET 2 OF 2 REV A | |
| 4 PLC ± - | | | | | |
| ANGLES ± ° | | | | | |
| MATERIAL | | | | | |
| FINISH | | | | | |

X-ON Electronics

Largest Supplier of Electrical and Electronic Components

Click to view similar products for [Standard Card Edge Connectors](#) category:

Click to view products by [TE Connectivity](#) manufacturer:

Other Similar products are found below :

[6565204-6](#) [PKC-156](#) [1437274-4](#) [147889-1](#) [1489165-4](#) [EBT156-12B1X](#) [EBT15622B2X](#) [EBT156-22R2W](#) [1-582587-1](#) [1-582589-1](#) [2-6437275-9](#) [284-0102-12100](#) [306022901000000](#) [307-012-502-202](#) [307-024-526-201](#) [307-056-520-300](#) [307-080-526-208](#) [1926088-2](#) [245-062-520-350](#) [287-0032-12101](#) [306-010-500-112](#) [306-028-525-102](#) [306-240-318](#) [307-036-502-202](#) [307-036-521-301](#) [307-072-526-202](#) [345-060-559-303](#) [368-004-520-201](#) [392-008-559-201](#) [534671-1](#) [5-530501-5](#) [341-240-317](#) [345-029-520-300](#) [345-030-500-301](#) [345-044-500-300](#) [345-220-058](#) [346-240-318](#) [387-012-523-300](#) [395-044-520-300](#) [395-100-524-300](#) [50-12B-10](#) [50-6SN-5](#) [09-07-2032](#) [10035388-106LF](#) [10035388-802LF](#) [10115859-011LF](#) [10122859-009LF](#) [101269333204245CLF](#) [10127905-B04B24BLF](#) [530555-1](#)