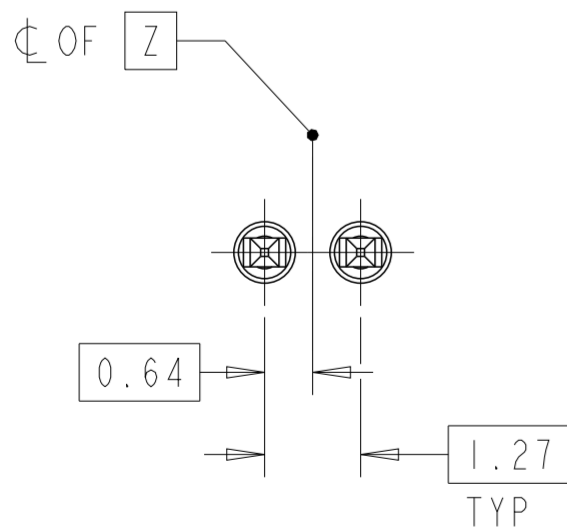
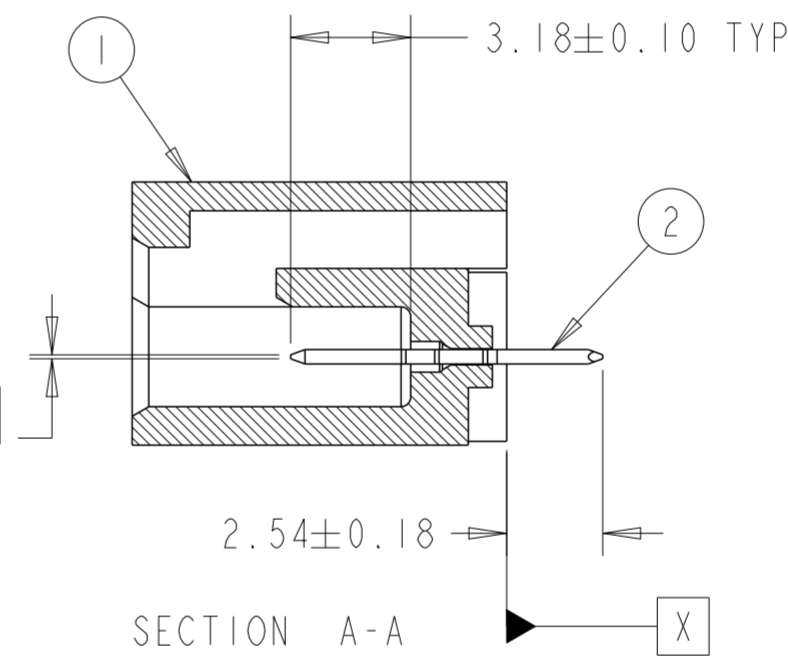
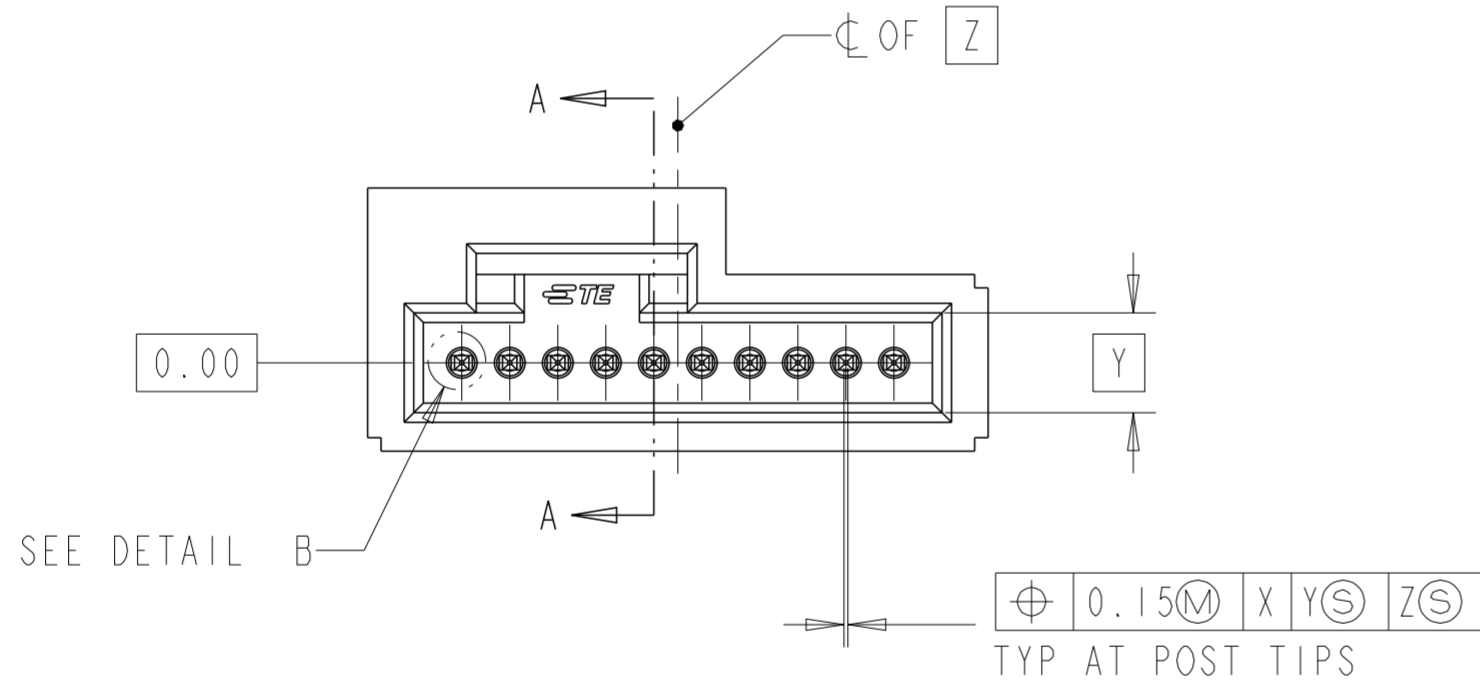


1 FINISH: 0.00076 MIN GOLD PER 112-162-5 ON TOP AND BOTTOM ONLY IN LOCALIZED GOLD PLATE AREA AS SPECIFIED, GOLD FLASH PER 112-33-1 FOR A LENGTH OF 2.54 ON ALL SURFACES. 0.00381-0.00635 MATTE TIN LEAD PER 112-26-2 ON AREA AS INDICATED, UNDERPLATING TO BE 0.00127-0.00254 NICKEL PER 112-25-2 ON ENTIRE CONTACT, GOLD AND TIN MAY NOT OVERLAP

2 FINISH: 0.00003 MIN. GOLD PER 112-162-5 ON GOLD PLATED AREA, 0.00381-0.00635 MATTE TIN LEAD PER 112-26-2 ON TIN PLATE AREA, UNDERPLATING TO BE 0.00127-0.00254 NICKEL PER 112-25-2 ON ENTIRE CONTACT, GOLD AND TIN MAY NOT OVERLAP

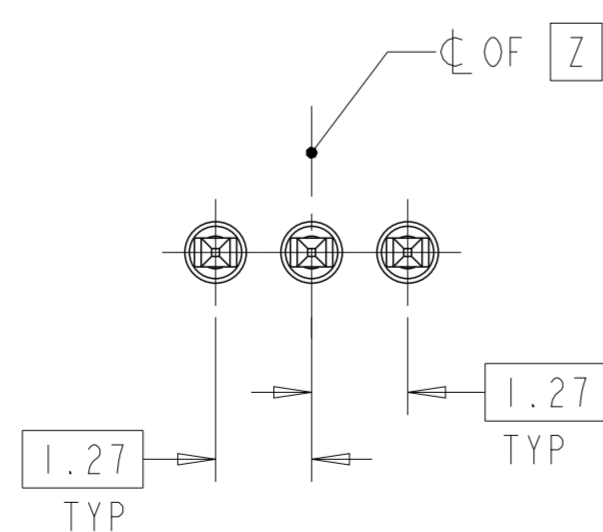
3 FINISH: 0.00076 MIN. GOLD PER 112-162-5 ON TOP AND BOTTOM ONLY IN LOCALIZED GOLD PLATE AREA AS SPECIFIED, GOLD FLASH PER 112-33-1 FOR A LENGTH OF 2.54 ON ALL SURFACES. 0.00381-0.00635 MATTE TIN PER 112-65-1 ON AREA AS INDICATED, UNDERPLATING TO BE 0.00127-0.00254 NICKEL PER 112-25-2 ON ENTIRE CONTACT, GOLD AND TIN MAY NOT OVERLAP

4 FINISH: 0.00003 MIN. GOLD PER 112-162-5 ON GOLD PLATED AREA, 0.00381-0.00635 MATTE TIN PER 112-65-1 ON TIN PLATE AREA, UNDERPLATING TO BE 0.00127-0.00254 NICKEL PER 112-25-2 ON ENTIRE CONTACT, GOLD AND TIN MAY NOT OVERLAP



BASIC DIMENSIONS FOR
ODD NO OF SPACES
(SEE TABLE)

SCALE 10:1



BASIC DIMENSIONS FOR
EVEN NO OF SPACES
(SEE TABLE)

SCALE 10:1

4	10	5-2267070-2	1	146086-1	9	10	7-146087-2
3	10	5-103917-2	1	146086-1	9	10	5-146087-1
2	10	2267070-2	1	146086-1	9	10	2-146087-1
1	10	103917-2	1	146086-1	9	10	146087-1
FINISH	QTY	CONTACT PART NO. 2	QTY	HOUSING PART NO. 1	NO. OF SPACES	NO. OF POSN	PART NO.

G	REV/REDRAWN PER ECO-17-001745	04DEC2017	MM	JO	
F	REVISED PER ECO-15-004125	22JUN2015	NK	JO	
P	LTR	REVISION RECORD	DATE	DWN	APVD

DIMENSIONS:		TOLERANCES UNLESS OTHERWISE SPECIFIED:	
mm		0 PLC	±
		1 PLC	±0.3
		2 PLC	±0.13
		3 PLC	±
		4 PLC	±
ANGLES: 0.5°			
SURFACE TEXTURE		√	

DWN	RL KOLLER	16NOV2016	MATERIAL	-	HEAT TREAT	-			
CHK	J. OLSON	17NOV2016	TE Connectivity						
APVD	J. OLSON	18NOV2016							
NAME							HEADER ASSEMBLY, VERTICAL, SINGLE ROW, W/ SHROUDED SIDE LATCH, AMPMODU SYSTEM 50		
SCALE	5:1	SIZE	A2	DRAWING NO	146087	SHEET	1 OF 1	REV	G

X-ON Electronics

Largest Supplier of Electrical and Electronic Components

Click to view similar products for [Board to Board & Mezzanine Connectors](#) category:

Click to view products by [TE Connectivity](#) manufacturer:

Other Similar products are found below :

[589158040000018](#) [MDF7C-18P-2.54DSA\(55\)](#) [FCN-230C068-11](#) [FCN-268F012-G/BD](#) [FCN-268F036-G/BD](#) [FCN-268M012-G/0D](#) [FCN-268M024-G/1D](#) [FCN-723J004/1](#) [MIS-048-01-F-D-DP-K](#) [832-10-034-10-001000](#) [FX4C-80S-1.27DSA](#) [FCN-214Q030-G/0](#) [FCN-234P048-G/0](#) [FCN-235D050-G/C](#) [210-93-314-41-105000](#) [2-22603-0](#) [MDF7-40DP-2.54DSA\(55\)](#) [AXG720047](#) [5031084030](#) [MIT-114-03-F-D-K](#) [55323-1519](#) [DF33-2P-3.3DSA\(24\)](#) [YFT-20-05-H-03-SB-K](#) [503308-3040](#) [026-6203-PDB](#) [027-6203-PDB](#) [069159702701000](#) [10123981-102LF](#) [101A10019X](#) [55650-0588-C](#) [68682-310LF](#) [68684-306](#) [75140-7012](#) [87471-650](#) [194261-1](#) [FCN-268F024-G0D](#) [10124054-515LF](#) [68685-603](#) [8-1616154-3](#) [MIS-019-01-F-D](#) [FCN-268M024-G/3D](#) [20021832-06016C1LF](#) [KX15-20KLDL-E1000E](#) [MDF7-16DP-2.54DSA\(55\)](#) [AXE810124](#) [FCN-214J100-G/0](#) [FCN-230C068-E/S](#) [AXE812124](#) [AXE816124](#) [AXE720127](#)