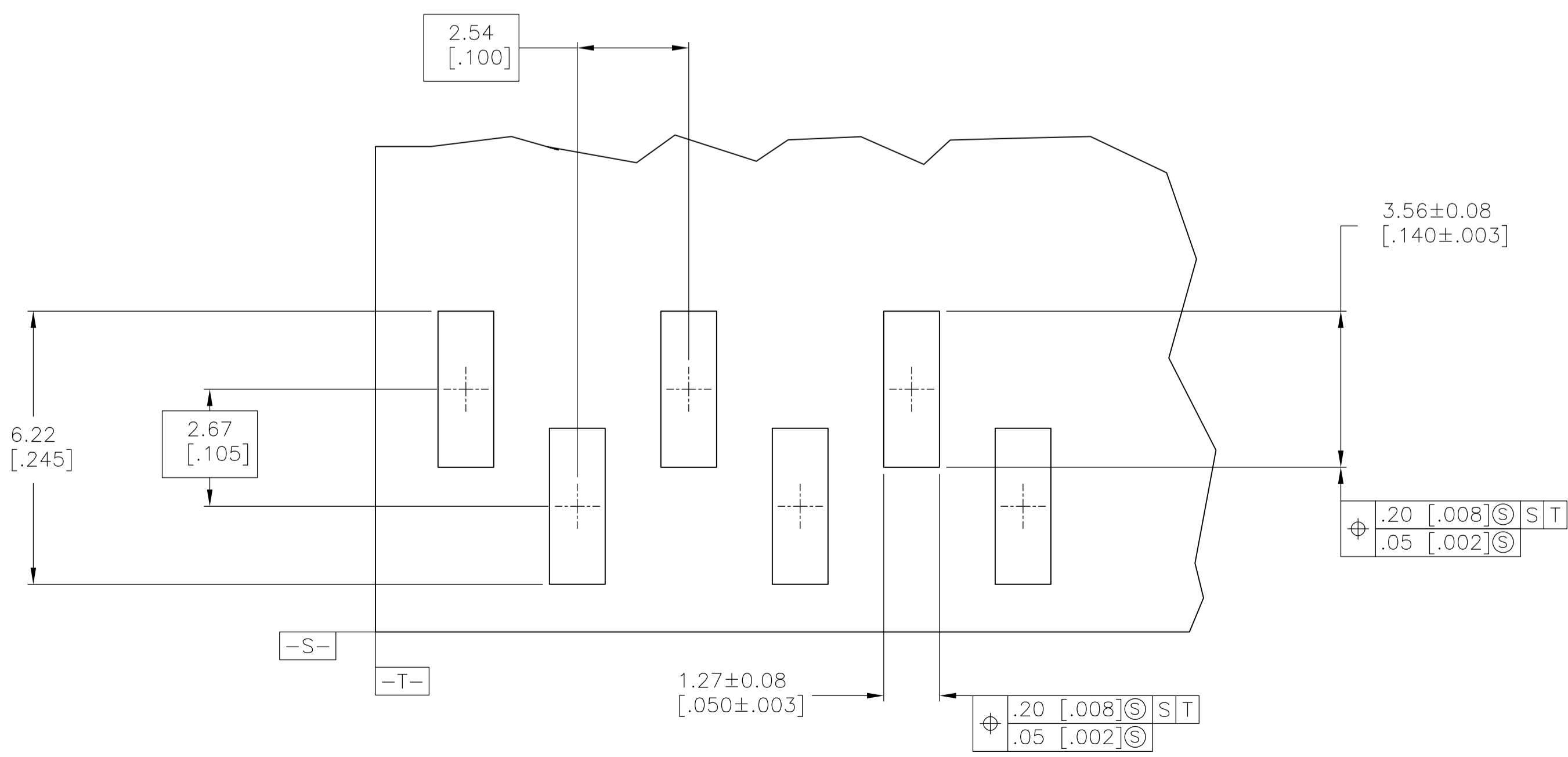
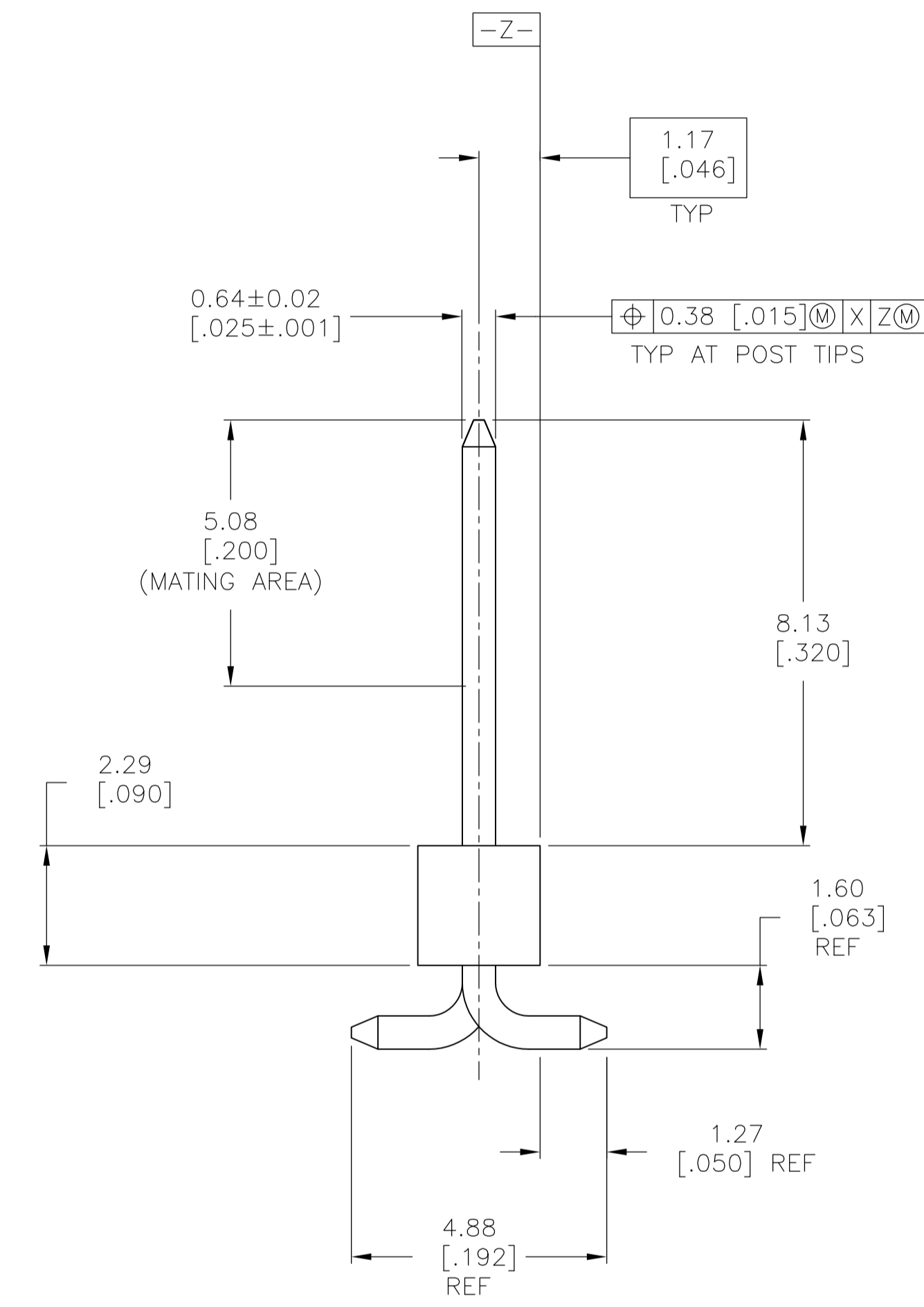
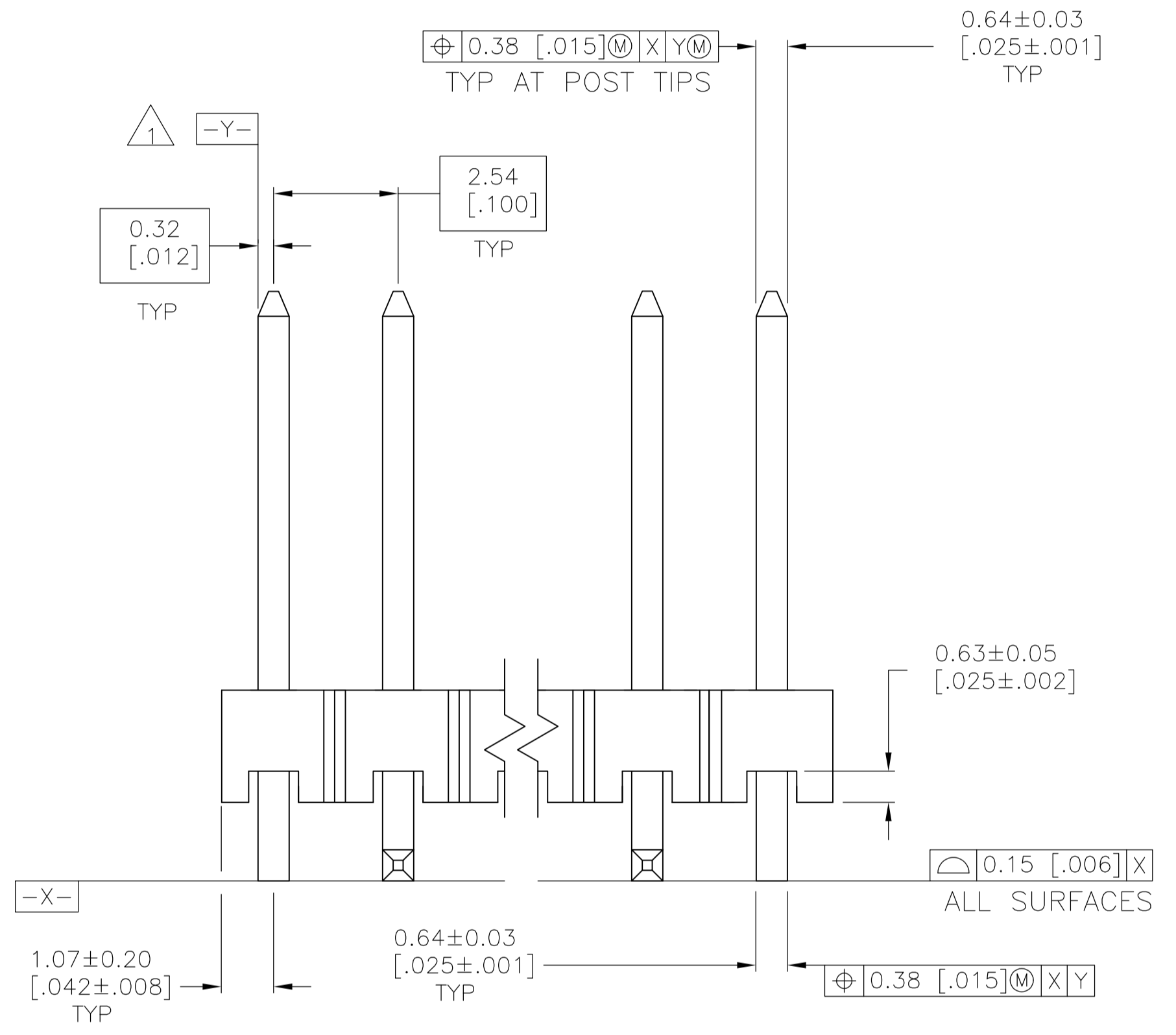
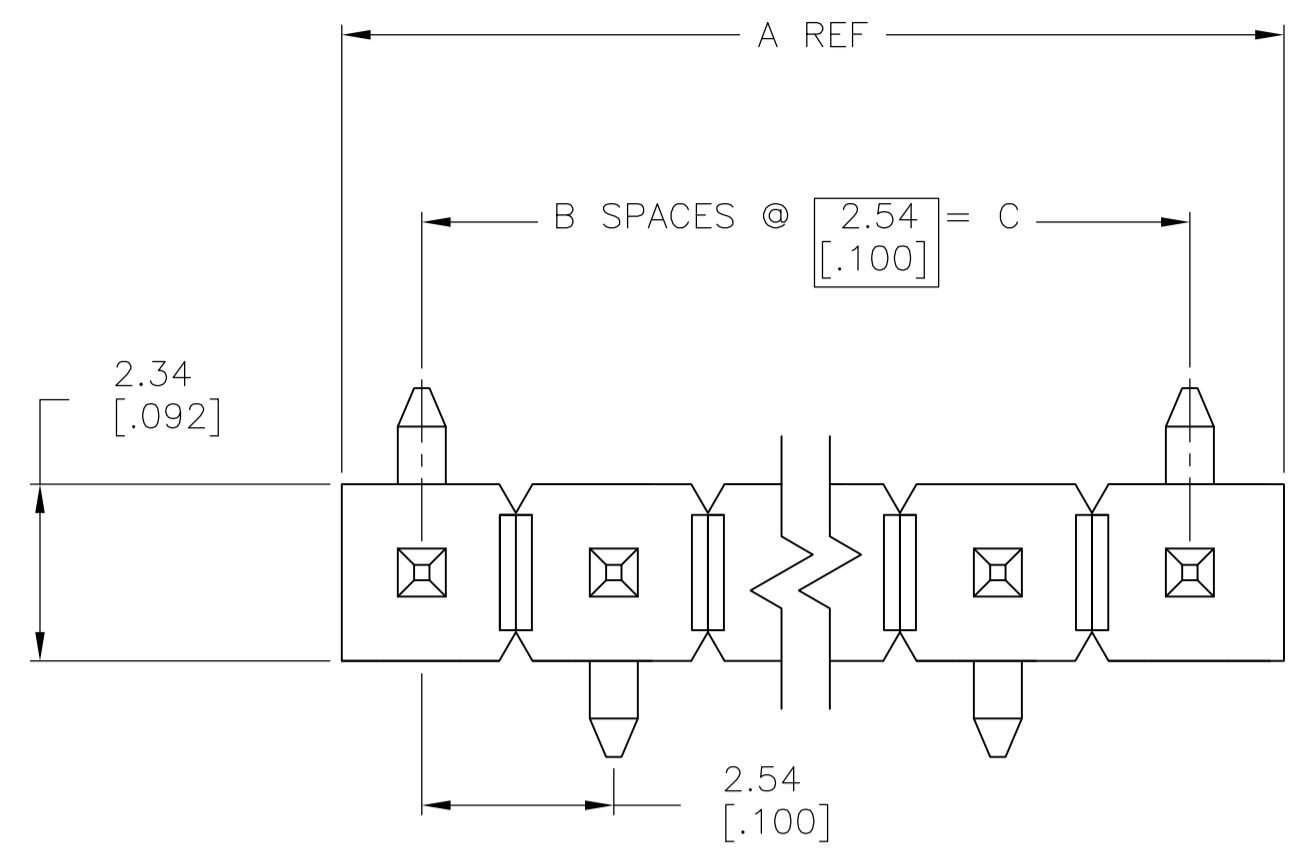


- 1 THE NOTED DIMENSIONS APPLY AT THE INTERSECTION OF THE POST AND THE HOUSING.
- 2 0.000762[.000030] GOLD ON CONTACT AREA, 0.00254[.000100]-0.00508[.000200] MATTE TIN-LEAD ON SOLDER TAIL, ALL OVER 0.00127[.000050] NICKEL.
- 3 HOUSING: LCP, COLOR-BLACK. POSTS: COPPER ALLOY.
- 4 0.000762[.000030] GOLD ON CONTACT AREA, 0.00254[.000100]-0.00508[.000200] MATTE TIN ON SOLDER TAIL, ALL OVER 0.00127[.000050] NICKEL.
- 5 OBSOLETE PARTS: OBSOLETE CIS STREAMLINING PER D.RENAUD/D.SINISI



RECOMMENDED PCB LAYOUT FOR USE WITH .008 THICK STENCIL

4	35.56 [1.400]	14	35.69 [1.484]	15	6-146129-3	
4	33.02 [1.300]	13	33.15 [1.384]	14	6-146129-2	
4	30.48 [1.200]	12	30.61 [1.284]	13	6-146129-1	
4	27.94 [1.100]	11	28.07 [1.184]	12	6-146129-0	
4	25.40 [1.000]	10	27.53 [1.084]	11	5-146129-9	
4	22.86 [.900]	9	24.99 [.984]	10	5-146129-8	
4	20.32 [.800]	8	22.45 [.884]	9	5-146129-7	
4	17.78 [.700]	7	19.91 [.784]	8	5-146129-6	
4	15.24 [.600]	6	17.37 [.684]	7	5-146129-5	
4	12.70 [.500]	5	14.83 [.584]	6	5-146129-4	
4	10.16 [.400]	4	12.29 [.484]	5	5-146129-3	
4	7.62 [.300]	3	9.75 [.384]	4	5-146129-2	
4	5.08 [.200]	2	7.21 [.284]	3	5-146129-1	
5	OBSOLETE	2	35.56 [1.400]	14	35.69 [1.484]	
5	OBSOLETE	2	33.02 [1.300]	13	33.15 [1.384]	
5	SUPERSEDED	2	30.48 [1.200]	12	30.61 [1.284]	
5	SUPERSEDED	2	27.94 [1.100]	11	28.07 [1.184]	
5	OBSOLETE	2	25.40 [1.000]	10	27.53 [1.084]	
5	OBSOLETE	2	22.86 [.900]	9	24.99 [.984]	
5	OBSOLETE	2	20.32 [.800]	8	22.45 [.884]	
5	SUPERSEDED	2	17.78 [.700]	7	19.91 [.784]	
5	SUPERSEDED	2	15.24 [.600]	6	17.37 [.684]	
5	OBSOLETE	2	12.70 [.500]	5	14.83 [.584]	
5	SUPERSEDED	2	10.16 [.400]	4	12.29 [.484]	
5	SUPERSEDED	2	7.62 [.300]	3	9.75 [.384]	
5	SUPERSEDED	2	5.08 [.200]	2	7.21 [.284]	
PLATING		C	B	A	NO OF POSN	PART NUMBER

THIS DRAWING IS A CONTROLLED DOCUMENT.

DIMENSIONS: mm [INCHES]	TOLERANCES UNLESS OTHERWISE SPECIFIED:	DIN J KNAUB 9-30-94	9-30-94	 TE Connectivity		
0 PLC ± -	1 PLC ± -	2 PLC ± 0.13[.005]	3 PLC ± -			
MATERIAL	FINISH	WEIGHT	SIZE	CAGE CODE	DRAWING NO	RESTRICTED TO
3	SEE TABLE	-	A1	00779	146129	-

CUSTOMER DRAWING SCALE 10:1 SHEET 1 of 1 REV L

X-ON Electronics

Largest Supplier of Electrical and Electronic Components

Click to view similar products for [Headers & Wire Housings](#) category:

Click to view products by [TE Connectivity](#) manufacturer:

Other Similar products are found below :

[95000-104TRLF](#) [10135584-644402LF](#) [DF62W-EP2022PCA](#) [95000-106TRLF](#) [DF62W-2022SCA](#) [DF62W-EP2022PC](#) [2203348](#) [DF62W-2022SC](#) [1084018](#) [1029039](#) [1084017](#) [802-10-012-10-002000](#) [1112640](#) [1112639](#) [000-34000](#) [0009482033](#) [0009507031](#) [57102-S06-03LF](#) [57202-S52-04LF](#) [PCN6-15S-2.5E](#) [0039019024](#) [58102-G61-06LF](#) [582553-1](#) [0009508121](#) [0050291907](#) [018731A](#) [LY20-4P-DT1-P1E-BR](#) [02.125.8002.8](#) [60101931](#) [60598-1 \(Cut Strip\)](#) [M1625-3R/100](#) [61062-3](#) [61082-181009](#) [636-1427](#) [638009-1](#) [641938-9](#) [641991-4](#) [644168-1](#) [647662-1](#) [65039-019ELF](#) [65817-002LF](#) [65817-015LF](#) [65863-015LF](#) [66207-023LF](#) [67016-026LF](#) [67046-001LF](#) [67095-007LF](#) [68002-116](#) [68016-236H](#) [68648-049](#)