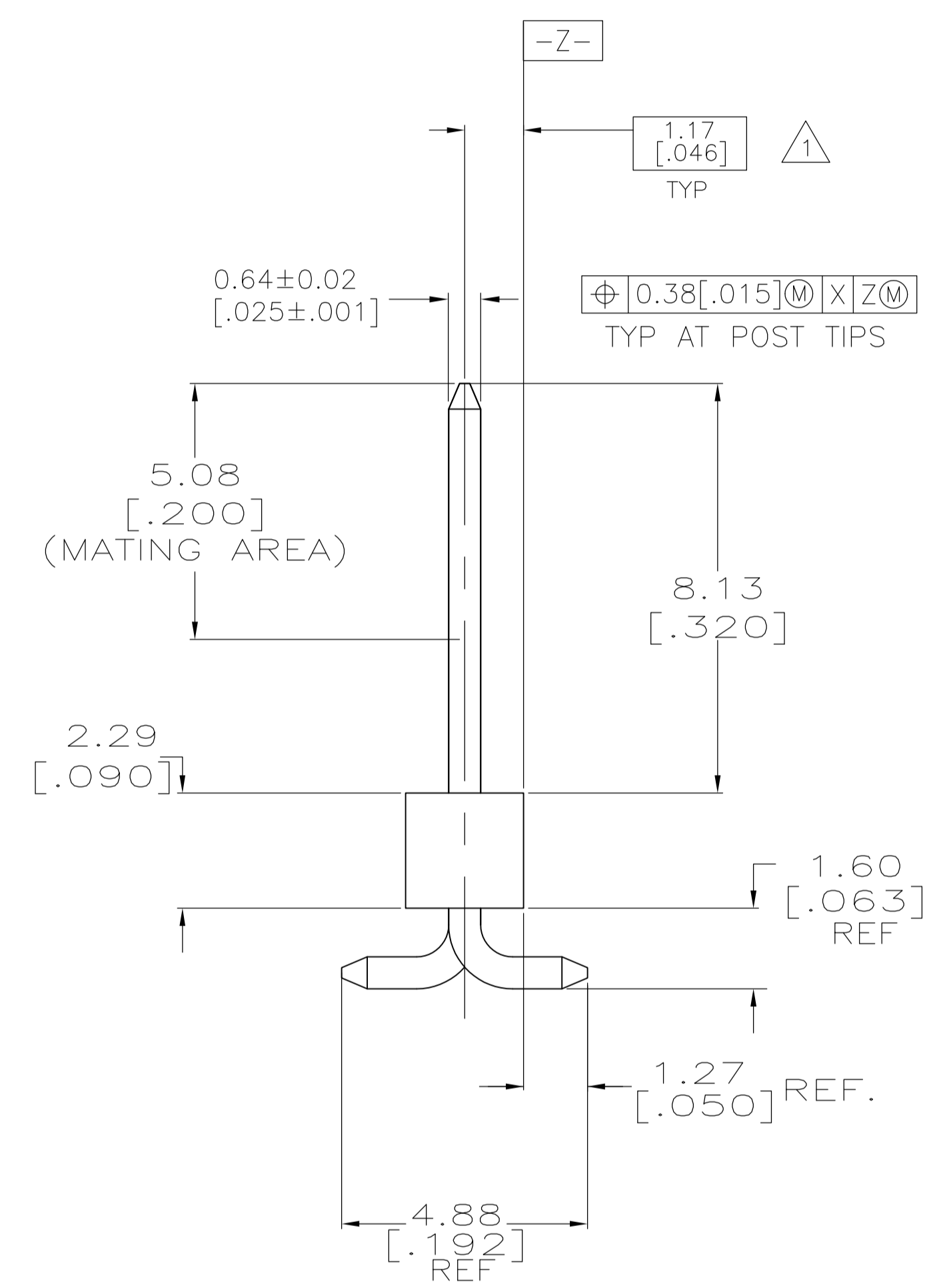


RECOMMENDED PCB LAYOUT FOR USE WITH .008 THICK STENCIL

- 1 THE NOTED DIMENSIONS APPLY AT THE INTERSECTION OF THE POST AND THE HOUSING.
- 2 0.00254[.000100]-0.00508[.000200] MATTE TIN-LEAD OVER  
0.00127[.000050] NICKEL ENTIRE POST.
- 3 HOUSING: LCP, COLOR-BLACK.  
POSTS: PHOSPHOR BRONZE.
- 4 0.00254[.000100]-0.00508[.000200] MATTE TIN OVER  
0.00127[.000050] NICKEL ENTIRE POST.
- 5 PRELIMINARY PART - NOT RELEASED FOR PRODUCTION.
- 6 OBSOLETE PARTS: OBSOLETE CIS STREAMLINING PER D.RENAUD/D.SINISI



REV	DESCRIPTION	DATE	BY	CHK	APPV	PART NUMBER
4	35.56 [1.400]	14	35.69 [1.484]	15	6-146133-3	
4	33.02 [1.300]	13	33.15 [1.384]	14	6-146133-2	
4	30.48 [1.200]	12	30.61 [1.284]	13	6-146133-1	
4	27.94 [1.100]	11	28.07 [1.184]	12	6-146133-0	
4	25.40 [1.000]	10	27.53 [1.084]	11	5-146133-9	
4	22.86 [.900]	9	24.99 [.984]	10	5-146133-8	
4	20.32 [.800]	8	22.45 [.884]	9	5-146133-7	
4	17.78 [.700]	7	19.91 [.784]	8	5-146133-6	
4	15.24 [.600]	6	17.37 [.684]	7	5-146133-5	
4	12.70 [.500]	5	14.83 [.584]	6	5-146133-4	
4	10.16 [.400]	4	12.29 [.484]	5	5-146133-3	
4	7.62 [.300]	3	9.75 [.384]	4	5-146133-2	
4	5.08 [.200]	2	7.21 [.284]	3	5-146133-1	
5	17.78 [.700]	7	19.91 [.784]	8	1-146133-5	
OBSOLETE	35.56 [1.400]	14	35.69 [1.484]	15	1-146133-3	
OBSOLETE	33.02 [1.300]	13	33.15 [1.384]	14	1-146133-2	
OBSOLETE	30.48 [1.200]	12	30.61 [1.284]	13	1-146133-1	
OBSOLETE	27.94 [1.100]	11	28.07 [1.184]	12	1-146133-0	
OBSOLETE	25.40 [1.000]	10	27.53 [1.084]	11	146133-9	
OBSOLETE	22.86 [.900]	9	24.99 [.984]	10	146133-8	
OBSOLETE	20.32 [.800]	8	22.45 [.884]	9	146133-7	
OBSOLETE	17.78 [.700]	7	19.91 [.784]	8	146133-6	
OBSOLETE	15.24 [.600]	6	17.37 [.684]	7	146133-5	
OBSOLETE	12.70 [.500]	5	14.83 [.584]	6	146133-4	
OBSOLETE	10.16 [.400]	4	12.29 [.484]	5	146133-3	
OBSOLETE	7.62 [.300]	3	9.75 [.384]	4	146133-2	
OBSOLETE	5.08 [.200]	2	7.21 [.284]	3	146133-1	
PLATING	C	B	A	NO OF POSN	PART NUMBER	

THIS DRAWING IS A CONTROLLED DOCUMENT.

DIMENSIONS: mm [INCHES]

TOLERANCES UNLESS OTHERWISE SPECIFIED:

0	PLC	±	-
1	PLC	±	-
2	PLC	±	-
3	PLC	±	.127(.005)
4	PLC	±	-
5	ANGLES	±	-

MATERIAL: - FINISH: SEE TABLE

APPROVED: J. KNAUB, G. DUBNICZKI, G. DUBNICZKI

PRODUCT SPEC: SURFACE MOUNT HEADER ASSEMBLY, MOD II, BREAKAWAY, VERTICAL, SINGLE ROW, .100 X.100 C/L, .025 SQ. POST

SIZE: A1 CAGE CODE: 00779 DRAWING NO: 146133

WEIGHT: - RESTRICTED TO: -

CUSTOMER DRAWING SCALE: 1:1 SHEET: 1 OF 1 REV: L3

## X-ON Electronics

Largest Supplier of Electrical and Electronic Components

*Click to view similar products for [Headers & Wire Housings](#) category:*

*Click to view products by [TE Connectivity](#) manufacturer:*

Other Similar products are found below :

[892-18-020-10-001101](#) [58102-G61-06LF](#) [582553-1](#) [0009485154](#) [009176003701906](#) [0050291907](#) [LY20-4P-DT1-P1E-BR](#) [02.125.8002.8](#)  
[609-3404](#) [61062-3](#) [61082-181009](#) [622-3653LF](#) [63453-116](#) [636-1030](#) [636-1427](#) [636-3427](#) [636-4007](#) [641938-9](#) [641991-4](#) [644827-2](#) [65817-010LF](#) [65817-015LF](#) [65863-015LF](#) [66207-023LF](#) [67095-007LF](#) [67601157](#) [68645-018](#) [68648-049](#) [70.362.1628.0](#) [70-4210](#) [70-4226B](#) [70-4853B](#) [707-5020](#) [707-5028](#) [71.350.2428.0](#) [71918-208LF](#) [71961-016LF](#) [733-134](#) [733-162](#) [754199-000](#) [760-3052](#) [787-8014-00](#) [79531-3000](#)  
[FCN-360C032-B](#) [FCN-367T-T012/H](#) [FCN-723D010/2](#) [80.063.4001.1](#) [800-90-001-10-001000](#) [800-90-010-10-002000](#) [801-43-002-10-013000](#)