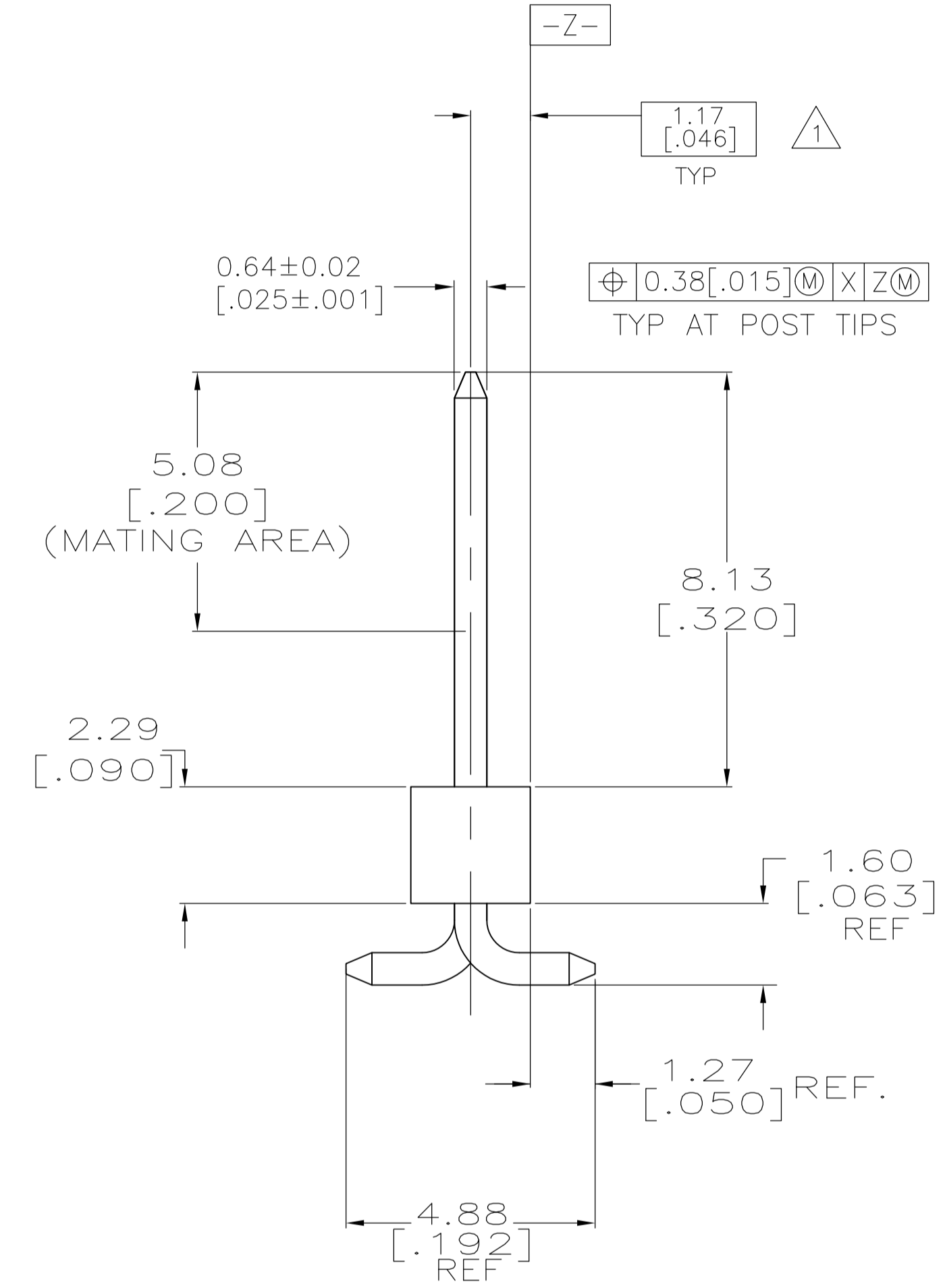


RECOMMENDED PCB LAYOUT FOR USE WITH .008 THICK STENCIL

- 1 THE NOTED DIMENSIONS APPLY AT THE INTERSECTION OF THE POST AND THE HOUSING.
- 2 0.00254[.000100]-0.00508[.000200] MATTE TIN-LEAD OVER  
0.00127[.000050] NICKEL ENTIRE POST.
- 3 HOUSING: LCP, COLOR-BLACK.  
POSTS: PHOSPHOR BRONZE.
- 4 0.00254[.000100]-0.00508[.000200] MATTE TIN OVER  
0.00127[.000050] NICKEL ENTIRE POST.
- 5 PRELIMINARY PART - NOT RELEASED FOR PRODUCTION.
- 6 OBSOLETE PARTS: OBSOLETE CIS STREAMLINING PER D.RENAUD/D.SINISI



	4	14	35.69	15	6-146133-3
	35.56		1.400	35.69	1.484
	33.02	13	1.300	33.15	1.384
	30.48	12	1.200	30.61	1.284
	27.94	11	1.100	28.07	1.184
	25.40	10	1.000	27.53	1.084
	22.86	9	.900	24.99	.984
	20.32	8	.800	22.45	.884
	17.78	7	.700	19.91	.784
	15.24	6	.600	17.37	.684
	12.70	5	.500	14.83	.584
	10.16	4	.400	12.29	.484
	7.62	3	.300	9.75	.384
	5.08	2	.200	7.21	.284
	17.78	7	.700	19.91	.784
OBSOLETE	35.56	14	1.400	35.69	1.484
	33.02	13	1.300	33.15	1.384
	30.48	12	1.200	30.61	1.284
	27.94	11	1.100	28.07	1.184
	25.40	10	1.000	27.53	1.084
	22.86	9	.900	24.99	.984
	20.32	8	.800	22.45	.884
	17.78	7	.700	19.91	.784
	15.24	6	.600	17.37	.684
	12.70	5	.500	14.83	.584
OBSOLETE	10.16	4	.400	12.29	.484
	7.62	3	.300	9.75	.384
	5.08	2	.200	7.21	.284
OBSOLETE	35.56	14	1.400	35.69	1.484
	33.02	13	1.300	33.15	1.384
	30.48	12	1.200	30.61	1.284
	27.94	11	1.100	28.07	1.184
	25.40	10	1.000	27.53	1.084
	22.86	9	.900	24.99	.984
	20.32	8	.800	22.45	.884
	17.78	7	.700	19.91	.784
	15.24	6	.600	17.37	.684
	12.70	5	.500	14.83	.584
OBSOLETE	10.16	4	.400	12.29	.484
	7.62	3	.300	9.75	.384
	5.08	2	.200	7.21	.284
PLATING	C	B	A	NO OF POSN	PART NUMBER

THIS DRAWING IS A CONTROLLED DOCUMENT.

DIMENSIONS: mm [INCHES]

TOLERANCES UNLESS OTHERWISE SPECIFIED:

0. PLC	±	-
1. PLC	±	-
2. PLC	±	-
3. PLC	±	.127(.005)
4. PLC	±	-
ANGLES	±	-

MATERIAL: - FINISH: SEE TABLE

APPROVED: J. KNAUB, G. DUBNICZKI, G. DUBNICZKI

DATE: 30SEP94

PRODUCT SPEC: SURFACE MOUNT HEADER ASSEMBLY, MOD II, BREAKAWAY, VERTICAL, SINGLE ROW, .100 X.100 C/L, .025 SQ. POST

SIZE: A1 CAGE CODE: 00779 DRAWING NO: 146133

WEIGHT: -

CUSTOMER DRAWING

SCALE: 1:1 SHEET 1 OF 1 REV L3

## X-ON Electronics

Largest Supplier of Electrical and Electronic Components

*Click to view similar products for [Headers & Wire Housings](#) category:*

*Click to view products by [TE Connectivity](#) manufacturer:*

Other Similar products are found below :

[892-18-020-10-001101](#) [58102-G61-06LF](#) [582553-1](#) [0009485154](#) [009176003701906](#) [0050291907](#) [LY20-4P-DT1-P1E-BR](#) [02.125.8002.8](#)  
[609-3404](#) [61062-3](#) [61082-181009](#) [622-3653LF](#) [63453-116](#) [636-1030](#) [636-1427](#) [636-3427](#) [636-4007](#) [641938-9](#) [641991-4](#) [644827-2](#) [65817-010LF](#) [65817-015LF](#) [65863-015LF](#) [66207-023LF](#) [67095-007LF](#) [67601157](#) [68645-018](#) [68648-049](#) [70.362.1628.0](#) [70-4210](#) [70-4226B](#) [70-4853B](#) [707-5020](#) [707-5028](#) [71.350.2428.0](#) [71918-208LF](#) [71961-016LF](#) [733-134](#) [733-162](#) [754199-000](#) [760-3052](#) [787-8014-00](#) [79531-3000](#)  
[FCN-360C032-B](#) [FCN-367T-T012/H](#) [FCN-723D010/2](#) [80.063.4001.1](#) [800-90-001-10-001000](#) [800-90-010-10-002000](#) [801-43-002-10-013000](#)