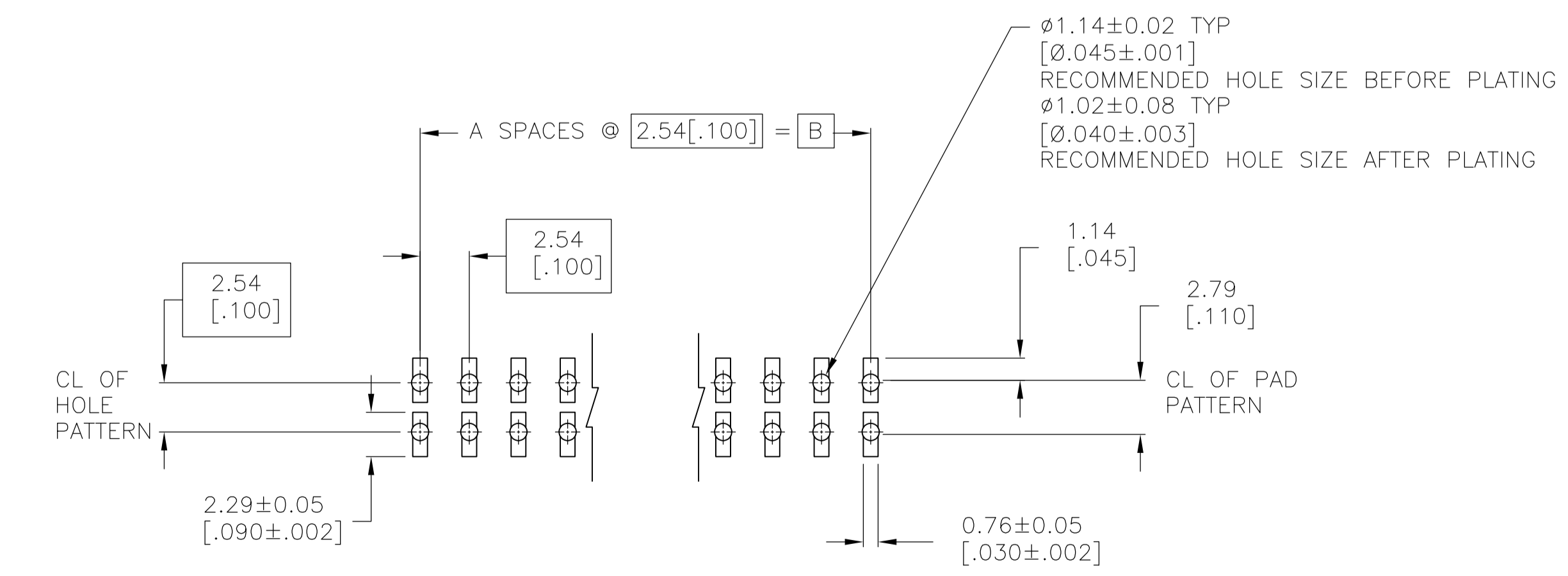
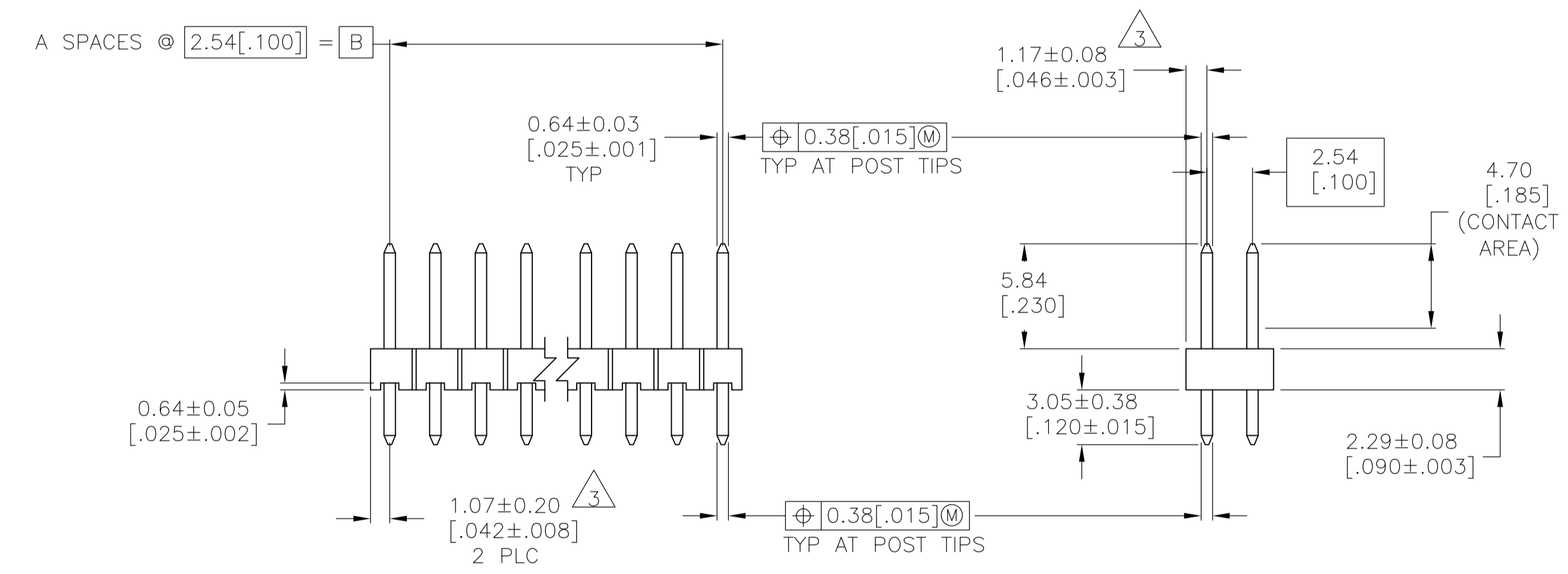
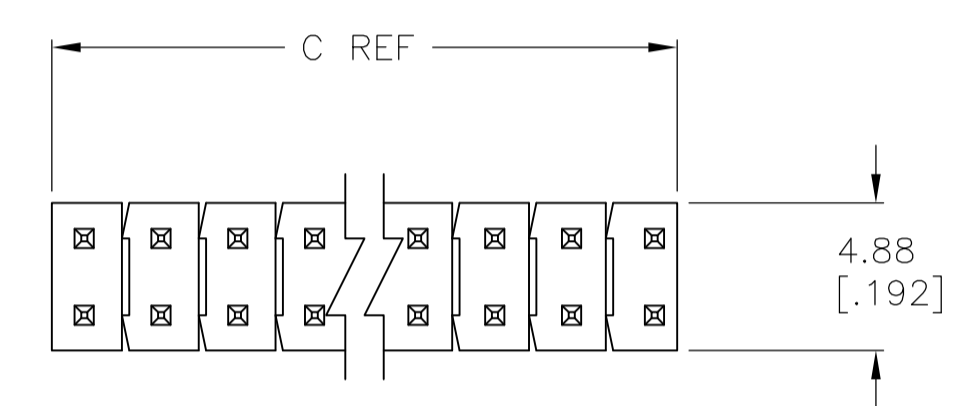


| REVISIONS |                           |             |           |     |      |
|-----------|---------------------------|-------------|-----------|-----|------|
| P         | LTR                       | DESCRIPTION | DATE      | OWN | APVD |
| N1        | REVISED PER ECO-16-012733 |             | 01SEP2016 | NK  | MM   |

- 1 ASSEMBLY MAY BE BROKEN TO THE DESIRED NUMBER OF POSITIONS.
- 2 TRUE POSITION TOLERANCE OF THE POST TIPS APPLIES WHEN THE HEADER IS HELD FLAT AGAINST THE PRINTED CIRCUIT BOARD.
- 3 THE NOTED DIMENSIONS APPLY AT THE INTERSECTION OF THE POST AND HOUSING.
- 4 POST PLATING: 0.00762[.000030] GOLD ON CONTACT AREA, 0.00254-0.00508[.000100-.000200] MATTE TIN-LEAD ON SOLDERTAIL, ALL OVER 0.00127[.000050] NICKEL.
- 5 HOUSING: LCP, COLOR-BLACK.
- 6 POST: COPPER ALLOY.
- 7 PARTS PACKAGED IN TUBES.
- 8 POST PLATING: 0.00762[.000030] GOLD ON CONTACT AREA, 0.00254-0.00508[.000100-.000200] MATTE TIN ON SOLDERTAIL, ALL OVER 0.00127[.000050] NICKEL.
- 9 PRELIMINARY PART - NOT RELEASED FOR PRODUCTION.
- 10 OBSOLETE PARTS: OBSOLETE CIS STREAMLINING PER D.RENAUD/D.SINISI.



RECOMMENDED PC BOARD MOUNTING DIMENSIONS FOR .063 [.160] THICK PC BOARD AND .012 [.305] STENCIL THICK.

| PLATING | C              | B             | A  | NO. OF POSITIONS | PART NUMBER   |
|---------|----------------|---------------|----|------------------|---------------|
| 8       | 101.19 [3.984] | 99.06 [3.900] | 39 | 80               | 9-146257-0    |
| 8       | 98.65 [3.884]  | 96.52 [3.800] | 38 | 78               | 10-8-146257-9 |
| 8       | 96.11 [3.784]  | 93.98 [3.700] | 37 | 76               | 10-8-146257-8 |
| 8       | 93.57 [3.684]  | 91.44 [3.600] | 36 | 74               | 10-8-146257-7 |
| 8       | 91.03 [3.584]  | 88.90 [3.500] | 35 | 72               | 8-146257-6    |
| 8       | 88.49 [3.484]  | 86.36 [3.400] | 34 | 70               | 8-146257-5    |
| 8       | 85.95 [3.384]  | 83.82 [3.300] | 33 | 68               | 8-146257-4    |
| 8       | 83.41 [3.284]  | 81.28 [3.200] | 32 | 66               | 10-8-146257-3 |
| 8       | 80.87 [3.184]  | 78.74 [3.100] | 31 | 64               | 10-8-146257-2 |
| 8       | 78.33 [3.084]  | 76.20 [3.000] | 30 | 62               | 10-8-146257-1 |
| 8       | 75.79 [2.984]  | 73.66 [2.900] | 29 | 60               | 8-146257-0    |
| 8       | 73.25 [2.884]  | 71.12 [2.800] | 28 | 58               | 10-7-146257-9 |
| 8       | 70.71 [2.784]  | 68.58 [2.700] | 27 | 56               | 10-7-146257-8 |
| 8       | 68.17 [2.684]  | 66.04 [2.600] | 26 | 54               | 10-7-146257-7 |
| 8       | 65.63 [2.584]  | 63.50 [2.500] | 25 | 52               | 10-7-146257-6 |
| 8       | 63.09 [2.484]  | 60.96 [2.400] | 24 | 50               | 7-146257-5    |
| 8       | 60.55 [2.384]  | 58.42 [2.300] | 23 | 48               | 10-7-146257-4 |
| 8       | 58.01 [2.284]  | 55.88 [2.200] | 22 | 46               | 10-7-146257-3 |
| 8       | 55.47 [2.184]  | 53.34 [2.100] | 21 | 44               | 7-146257-2    |
| 8       | 52.93 [2.084]  | 50.80 [2.000] | 20 | 42               | 10-7-146257-1 |
| 8       | 50.39 [1.984]  | 48.26 [1.900] | 19 | 40               | 10-7-146257-0 |
| 8       | 47.85 [1.884]  | 45.72 [1.800] | 18 | 38               | 6-146257-9    |
| 8       | 45.31 [1.784]  | 43.18 [1.700] | 17 | 36               | 10-6-146257-8 |
| 8       | 42.77 [1.684]  | 40.64 [1.600] | 16 | 34               | 6-146257-7    |
| 8       | 40.23 [1.584]  | 38.10 [1.500] | 15 | 32               | 10-6-146257-6 |
| 8       | 37.69 [1.484]  | 35.56 [1.400] | 14 | 30               | 6-146257-5    |
| 8       | 35.15 [1.384]  | 33.02 [1.300] | 13 | 28               | 10-6-146257-4 |
| 8       | 32.61 [1.284]  | 30.48 [1.200] | 12 | 26               | 6-146257-3    |
| 8       | 30.07 [1.184]  | 27.94 [1.100] | 11 | 24               | 6-146257-2    |
| 8       | 27.53 [1.084]  | 25.40 [1.000] | 10 | 22               | 6-146257-1    |
| 8       | 24.99 [.984]   | 22.86 [.900]  | 9  | 20               | 6-146257-0    |
| 8       | 22.45 [.884]   | 20.32 [.800]  | 8  | 18               | 10-5-146257-9 |
| 8       | 19.91 [.784]   | 17.78 [.700]  | 7  | 16               | 5-146257-8    |
| 8       | 17.37 [.684]   | 15.24 [.600]  | 6  | 14               | 5-146257-7    |
| 8       | 14.83 [.584]   | 12.70 [.500]  | 5  | 12               | 5-146257-6    |
| 8       | 12.29 [.484]   | 10.16 [.400]  | 4  | 10               | 5-146257-5    |
| 8       | 9.75 [.384]    | 7.62 [.300]   | 3  | 8                | 5-146257-4    |
| 8       | 7.21 [.284]    | 5.08 [.200]   | 2  | 6                | 5-146257-3    |
| 8       | 4.67 [.184]    | 2.54 [.100]   | 1  | 4                | 5-146257-2    |
| 8       | -              | -             | 0  | 2                | 5-146257-1    |

| PLATING | C              | B             | A  | NO. OF POSITIONS | PART NUMBER   |
|---------|----------------|---------------|----|------------------|---------------|
| 9       | 17.37 [.684]   | 15.24 [.600]  | 6  | 14               | 4-146257-6    |
| 9       | 9.75 [.384]    | 7.62 [.300]   | 3  | 8                | 4-146257-5    |
| 9       | 7.21 [.284]    | 5.08 [.200]   | 2  | 6                | 4-146257-4    |
| 9       | 24.99 [.984]   | 22.86 [.900]  | 9  | 20               | 4-146257-3    |
| 9       | 75.79 [2.984]  | 73.66 [2.900] | 29 | 60               | 10-4-146257-2 |
| 9       | 17.37 [.684]   | 15.24 [.600]  | 6  | 14               | 10-4-146257-1 |
| 9       | 101.19 [3.984] | 99.06 [3.900] | 39 | 80               | 4-146257-0    |
| 9       | 98.65 [3.884]  | 96.52 [3.800] | 38 | 78               | 10-3-146257-9 |
| 9       | 96.11 [3.784]  | 93.98 [3.700] | 37 | 76               | 10-3-146257-8 |
| 9       | 93.57 [3.684]  | 91.44 [3.600] | 36 | 74               | 10-3-146257-7 |
| 9       | 91.03 [3.584]  | 88.90 [3.500] | 35 | 72               | 10-3-146257-6 |
| 9       | 88.49 [3.484]  | 86.36 [3.400] | 34 | 70               | 10-3-146257-5 |
| 9       | 85.95 [3.384]  | 83.82 [3.300] | 33 | 68               | 10-3-146257-4 |
| 9       | 83.41 [3.284]  | 81.28 [3.200] | 32 | 66               | 10-3-146257-3 |
| 9       | 80.87 [3.184]  | 78.74 [3.100] | 31 | 64               | 10-3-146257-2 |
| 9       | 78.33 [3.084]  | 76.20 [3.000] | 30 | 62               | 10-3-146257-1 |
| 9       | 75.79 [2.984]  | 73.66 [2.900] | 29 | 60               | 10-3-146257-0 |
| 9       | 73.25 [2.884]  | 71.12 [2.800] | 28 | 58               | 10-2-146257-9 |
| 9       | 70.71 [2.784]  | 68.58 [2.700] | 27 | 56               | 10-2-146257-8 |
| 9       | 68.17 [2.684]  | 66.04 [2.600] | 26 | 54               | 10-2-146257-7 |
| 9       | 65.63 [2.584]  | 63.50 [2.500] | 25 | 52               | 10-2-146257-6 |
| 9       | 63.09 [2.484]  | 60.96 [2.400] | 24 | 50               | 2-146257-5    |
| 9       | 60.55 [2.384]  | 58.42 [2.300] | 23 | 48               | 10-2-146257-4 |
| 9       | 58.01 [2.284]  | 55.88 [2.200] | 22 | 46               | 10-2-146257-3 |
| 9       | 55.47 [2.184]  | 53.34 [2.100] | 21 | 44               | 10-2-146257-2 |
| 9       | 52.93 [2.084]  | 50.80 [2.000] | 20 | 42               | 10-2-146257-1 |
| 9       | 50.39 [1.984]  | 48.26 [1.900] | 19 | 40               | 2-146257-0    |
| 9       | 47.85 [1.884]  | 45.72 [1.800] | 18 | 38               | 10-1-146257-9 |
| 9       | 45.31 [1.784]  | 43.18 [1.700] | 17 | 36               | 10-1-146257-8 |
| 9       | 42.77 [1.684]  | 40.64 [1.600] | 16 | 34               | 1-146257-7    |
| 9       | 40.23 [1.584]  | 38.10 [1.500] | 15 | 32               | 10-1-146257-6 |
| 9       | 37.69 [1.484]  | 35.56 [1.400] | 14 | 30               | 1-146257-5    |
| 9       | 35.15 [1.384]  | 33.02 [1.300] | 13 | 28               | 10-1-146257-4 |
| 9       | 32.61 [1.284]  | 30.48 [1.200] | 12 | 26               | 1-146257-3    |
| 9       | 30.07 [1.184]  | 27.94 [1.100] | 11 | 24               | 1-146257-2    |
| 9       | 27.53 [1.084]  | 25.40 [1.000] | 10 | 22               | 10-1-146257-1 |
| 9       | 24.99 [.984]   | 22.86 [.900]  | 9  | 20               | 1-146257-0    |
| 9       | 22.45 [.884]   | 20.32 [.800]  | 8  | 18               | 10-146257-9   |
| 9       | 19.91 [.784]   | 17.78 [.700]  | 7  | 16               | 146257-8      |
| 9       | 17.37 [.684]   | 15.24 [.600]  | 6  | 14               | 10-146257-7   |
| 9       | 14.83 [.584]   | 12.70 [.500]  | 5  | 12               | 10-146257-6   |
| 9       | 12.29 [.484]   | 10.16 [.400]  | 4  | 10               | 146257-5      |
| 9       | 9.75 [.384]    | 7.62 [.300]   | 3  | 8                | 10-146257-4   |
| 9       | 7.21 [.284]    | 5.08 [.200]   | 2  | 6                | 10-146257-3   |
| 9       | 4.67 [.184]    | 2.54 [.100]   | 1  | 4                | 146257-2      |
| 9       | -              | -             | 0  | 2                | 146257-1      |

THIS DRAWING IS A CONTROLLED DOCUMENT.

DIN R BROWN 19JAN05  
 CHK J GEFSEFORD 19JAN05  
 APVD J GEFSEFORD 19JAN05

TE Connectivity

HEADER ASSEMBLY, MOD II, BREAKAWAY, DOUBLE ROW, HIGH TEMPERATURE

SIZE: A1 CASE CODE: DRAWING NO: 00779C=146257  
 WEIGHT: --

CUSTOMER DRAWING SCALE: 4:1 SHEET 1 OF 1 REV N1

## X-ON Electronics

Largest Supplier of Electrical and Electronic Components

*Click to view similar products for [Headers & Wire Housings](#) category:*

*Click to view products by [TE Connectivity](#) manufacturer:*

Other Similar products are found below :

[892-18-020-10-001101](#) [58102-G61-06LF](#) [582553-1](#) [0009485154](#) [009176003701906](#) [0050291907](#) [LY20-4P-DT1-P1E-BR](#) [02.125.8002.8](#)  
[609-3404](#) [61062-3](#) [61082-181009](#) [622-3653LF](#) [63453-116](#) [636-1030](#) [636-1427](#) [636-3427](#) [636-4007](#) [641938-9](#) [641991-4](#) [644827-2](#) [65817-010LF](#) [65817-015LF](#) [65863-015LF](#) [66207-023LF](#) [67095-007LF](#) [67601157](#) [68645-018](#) [68648-049](#) [70.362.1628.0](#) [70-4210](#) [70-4226B](#) [70-4853B](#) [707-5020](#) [707-5028](#) [71.350.2428.0](#) [71918-208LF](#) [71961-016LF](#) [733-134](#) [733-162](#) [754199-000](#) [760-3052](#) [787-8014-00](#) [79531-3000](#)  
[FCN-360C032-B](#) [FCN-367T-T012/H](#) [FCN-723D010/2](#) [80.063.4001.1](#) [800-90-001-10-001000](#) [800-90-010-10-002000](#) [801-43-002-10-013000](#)