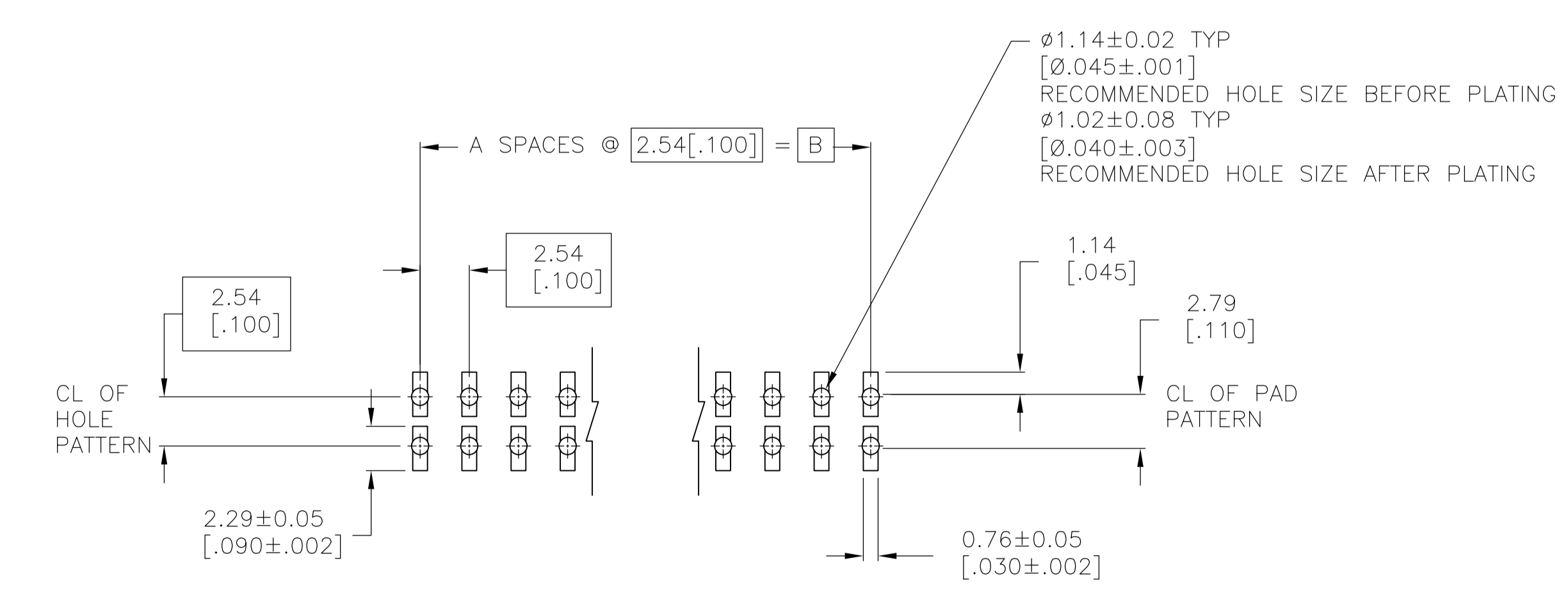
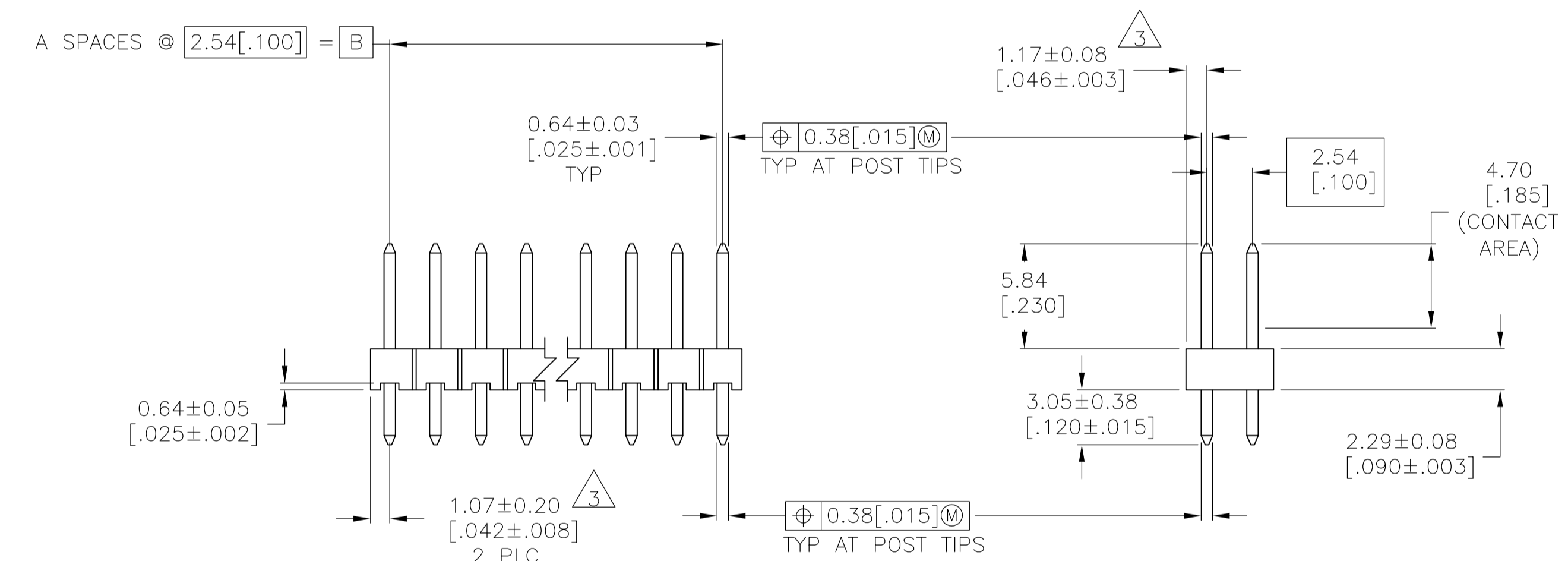
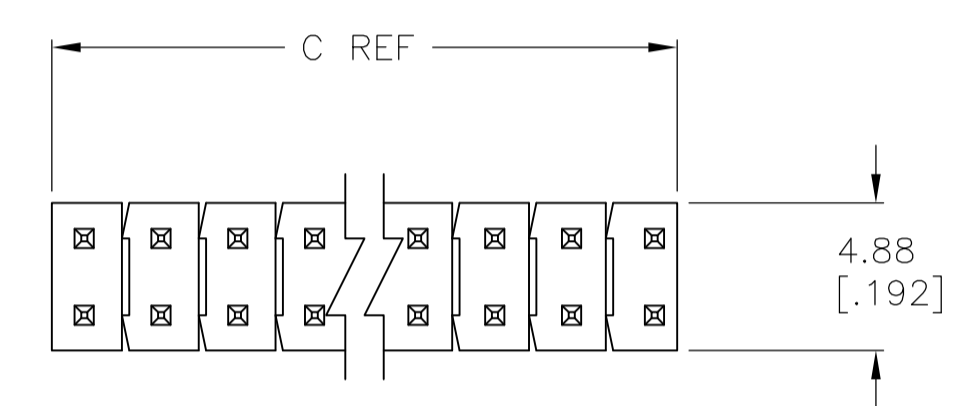


REVISIONS					
REV	DATE	BY	APPV	DESCRIPTION	DATE
N1	01SEP2016	NK	MM	REVISED PER ECO-16-012733	

- 1 ASSEMBLY MAY BE BROKEN TO THE DESIRED NUMBER OF POSITIONS.
- 2 TRUE POSITION TOLERANCE OF THE POST TIPS APPLIES WHEN THE HEADER IS HELD FLAT AGAINST THE PRINTED CIRCUIT BOARD.
- 3 THE NOTED DIMENSIONS APPLY AT THE INTERSECTION OF THE POST AND HOUSING.
- 4 POST PLATING: 0.00762[.000030] GOLD ON CONTACT AREA, 0.00254-0.00508[.000100-.000200] MATTE TIN-LEAD ON SOLDERTAIL, ALL OVER 0.00127[.000050] NICKEL.
- 5 HOUSING: LCP, COLOR-BLACK.
- 6 POST: COPPER ALLOY.
- 7 PARTS PACKAGED IN TUBES.
- 8 POST PLATING: 0.00762[.000030] GOLD ON CONTACT AREA, 0.00254-0.00508[.000100-.000200] MATTE TIN ON SOLDERTAIL, ALL OVER 0.00127[.000050] NICKEL.
- 9 PRELIMINARY PART - NOT RELEASED FOR PRODUCTION.
- 10 OBSOLETE PARTS: OBSOLETE CIS STREAMLINING PER D.RENAUD/D.SINISI.



RECOMMENDED PC BOARD MOUNTING DIMENSIONS FOR .063 [.160] THICK PC BOARD AND .012 [.305] STENCIL THICK.

PLATING	C	B	A	NO. OF POSITIONS	PART NUMBER
8	101.19	99.06	39	80	9-146257-0
8	98.65	96.52	38	78	10-8-146257-9
8	96.11	93.98	37	76	10-8-146257-8
8	93.57	91.44	36	74	10-8-146257-7
8	91.03	88.90	35	72	8-146257-6
8	88.49	86.36	34	70	8-146257-5
8	85.95	83.82	33	68	8-146257-4
8	83.41	81.28	32	66	10-8-146257-3
8	80.87	78.74	31	64	10-8-146257-2
8	78.33	76.20	30	62	10-8-146257-1
8	75.79	73.66	29	60	8-146257-0
8	73.25	71.12	28	58	10-7-146257-9
8	70.71	68.58	27	56	10-7-146257-8
8	68.17	66.04	26	54	10-7-146257-7
8	65.63	63.50	25	52	10-7-146257-6
8	63.09	60.96	24	50	7-146257-5
8	60.55	58.42	23	48	10-7-146257-4
8	58.01	55.88	22	46	10-7-146257-3
8	55.47	53.34	21	44	7-146257-2
8	52.93	50.80	20	42	10-7-146257-1
8	50.39	48.26	19	40	10-7-146257-0
8	47.85	45.72	18	38	6-146257-9
8	45.31	43.18	17	36	10-6-146257-8
8	42.77	40.64	16	34	6-146257-7
8	40.23	38.10	15	32	10-6-146257-6
8	37.69	35.56	14	30	6-146257-5
8	35.15	33.02	13	28	10-6-146257-4
8	32.61	30.48	12	26	6-146257-3
8	30.07	27.94	11	24	6-146257-2
8	27.53	25.40	10	22	6-146257-1
8	24.99	22.86	9	20	6-146257-0
8	22.45	20.32	8	18	10-5-146257-9
8	19.91	17.78	7	16	5-146257-8
8	17.37	15.24	6	14	5-146257-7
8	14.83	12.70	5	12	5-146257-6
8	12.29	10.16	4	10	5-146257-5
8	9.75	7.62	3	8	5-146257-4
8	7.21	5.08	2	6	5-146257-3
8	4.67	2.54	1	4	5-146257-2
8	-	-	0	2	5-146257-1

PLATING	C	B	A	NO. OF POSITIONS	PART NUMBER
8	17.37	15.24	6	14	4-146257-6
8	9.75	7.62	3	8	4-146257-5
8	7.21	5.08	2	6	4-146257-4
8	24.99	22.86	9	20	4-146257-3
7	75.79	73.66	29	60	10-4-146257-2
7	17.37	15.24	6	14	10-4-146257-1
4	101.19	99.06	39	80	4-146257-0
4	98.65	96.52	38	78	10-3-146257-9
4	96.11	93.98	37	76	10-3-146257-8
4	93.57	91.44	36	74	10-3-146257-7
4	91.03	88.90	35	72	10-3-146257-6
4	88.49	86.36	34	70	10-3-146257-5
4	85.95	83.82	33	68	10-3-146257-4
4	83.41	81.28	32	66	10-3-146257-3
4	80.87	78.74	31	64	10-3-146257-2
4	78.33	76.20	30	62	10-3-146257-1
4	75.79	73.66	29	60	10-3-146257-0
4	73.25	71.12	28	58	10-2-146257-9
4	70.71	68.58	27	56	10-2-146257-8
4	68.17	66.04	26	54	10-2-146257-7
4	65.63	63.50	25	52	10-2-146257-6
4	63.09	60.96	24	50	2-146257-5
4	60.55	58.42	23	48	10-2-146257-4
4	58.01	55.88	22	46	10-2-146257-3
4	55.47	53.34	21	44	10-2-146257-2
4	52.93	50.80	20	42	10-2-146257-1
4	50.39	48.26	19	40	2-146257-0
4	47.85	45.72	18	38	10-1-146257-9
4	45.31	43.18	17	36	10-1-146257-8
4	42.77	40.64	16	34	1-146257-7
4	40.23	38.10	15	32	10-1-146257-6
4	37.69	35.56	14	30	1-146257-5
4	35.15	33.02	13	28	10-1-146257-4
4	32.61	30.48	12	26	1-146257-3
4	30.07	27.94	11	24	1-146257-2
4	27.53	25.40	10	22	1-146257-1
4	24.99	22.86	9	20	1-146257-0
4	22.45	20.32	8	18	10-146257-9
4	19.91	17.78	7	16	146257-8
4	17.37	15.24	6	14	10-146257-7
4	14.83	12.70	5	12	10-146257-6
4	12.29	10.16	4	10	146257-5
4	9.75	7.62	3	8	10-146257-4
4	7.21	5.08	2	6	10-146257-3
4	4.67	2.54	1	4	146257-2
4	-	-	0	2	146257-1

THIS DRAWING IS A CONTROLLED DOCUMENT.

DIMENSIONS: mm [INCHES]	TOLERANCES UNLESS OTHERWISE SPECIFIED:	0 PLC ± -	1 PLC ± .01	2 PLC ± 0.01[.02]	3 PLC ± 0.02[.005]	4 PLC ± 0.012[.0005]	ANGLES ±	
MATERIAL	FINISH	SEE TABLE	WEIGHT	—	SIZE	A1	00779	146257

STE TE Connectivity

HEADER ASSEMBLY, MOD II, BREAKAWAY, DOUBLE ROW, HIGH TEMPERATURE

CUSTOMER DRAWING SCALE 4:1 SHEET 1 OF 1 REV N1

X-ON Electronics

Largest Supplier of Electrical and Electronic Components

Click to view similar products for [Headers & Wire Housings](#) category:

Click to view products by [TE Connectivity](#) manufacturer:

Other Similar products are found below :

[892-18-020-10-001101](#) [58102-G61-06LF](#) [582553-1](#) [0009485154](#) [009176003701906](#) [0050291907](#) [LY20-4P-DT1-P1E-BR](#) [02.125.8002.8](#)
[609-3404](#) [61062-3](#) [61082-181009](#) [622-3653LF](#) [63453-116](#) [636-1030](#) [636-1427](#) [636-3427](#) [636-4007](#) [641938-9](#) [641991-4](#) [644827-2](#) [65817-](#)
[010LF](#) [65817-015LF](#) [65863-015LF](#) [66207-023LF](#) [67095-007LF](#) [67601157](#) [68645-018](#) [68648-049](#) [70.362.1628.0](#) [70-4210](#) [70-4226B](#) [70-](#)
[4853B](#) [707-5020](#) [707-5028](#) [71.350.2428.0](#) [71918-208LF](#) [71961-016LF](#) [733-134](#) [733-162](#) [754199-000](#) [760-3052](#) [79531-3000](#) [FCN-](#)
[360C032-B](#) [FCN-367T-T012/H](#) [FCN-723D010/2](#) [80.063.4001.1](#) [800-90-010-10-002000](#) [801-43-002-10-013000](#) [801-43-006-10-002000](#)
[801-93-011-10-001000](#)