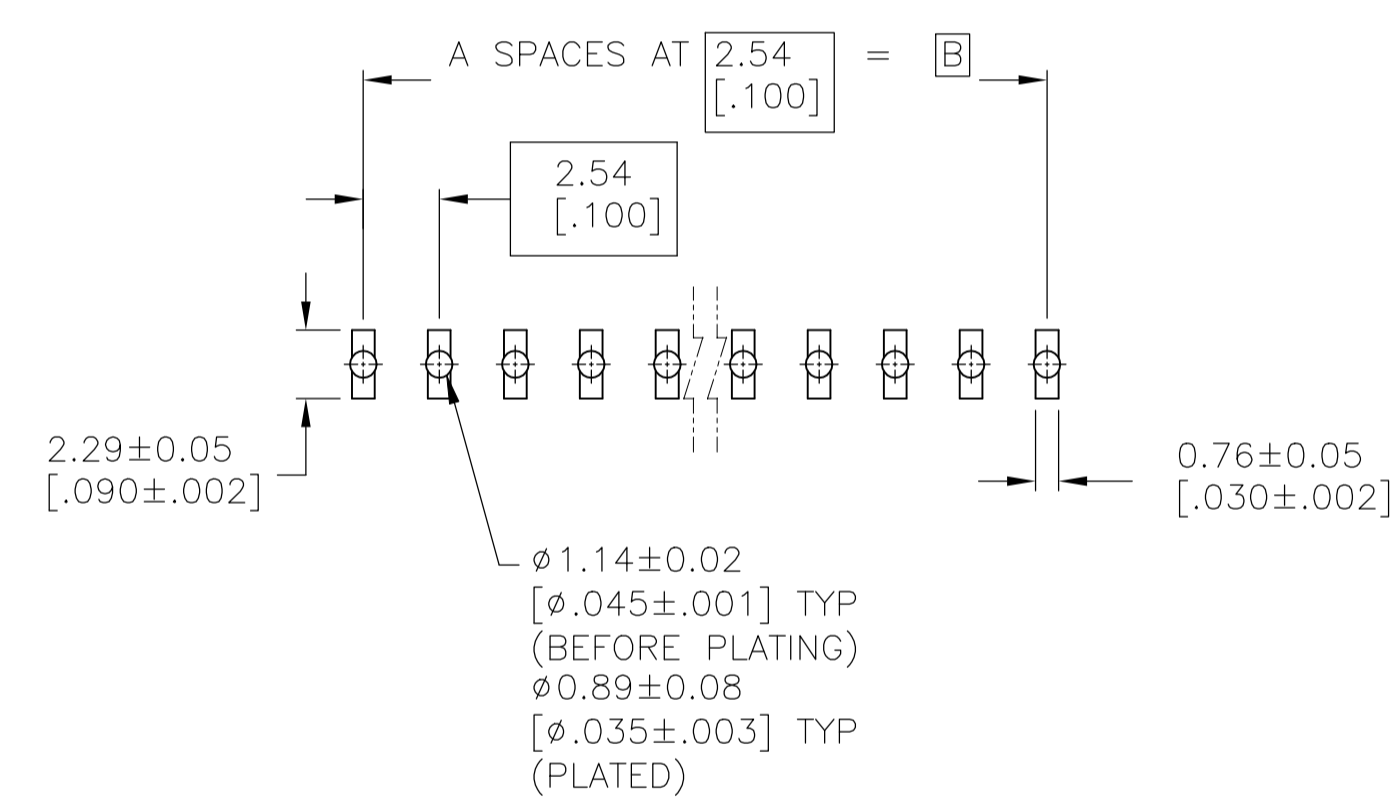
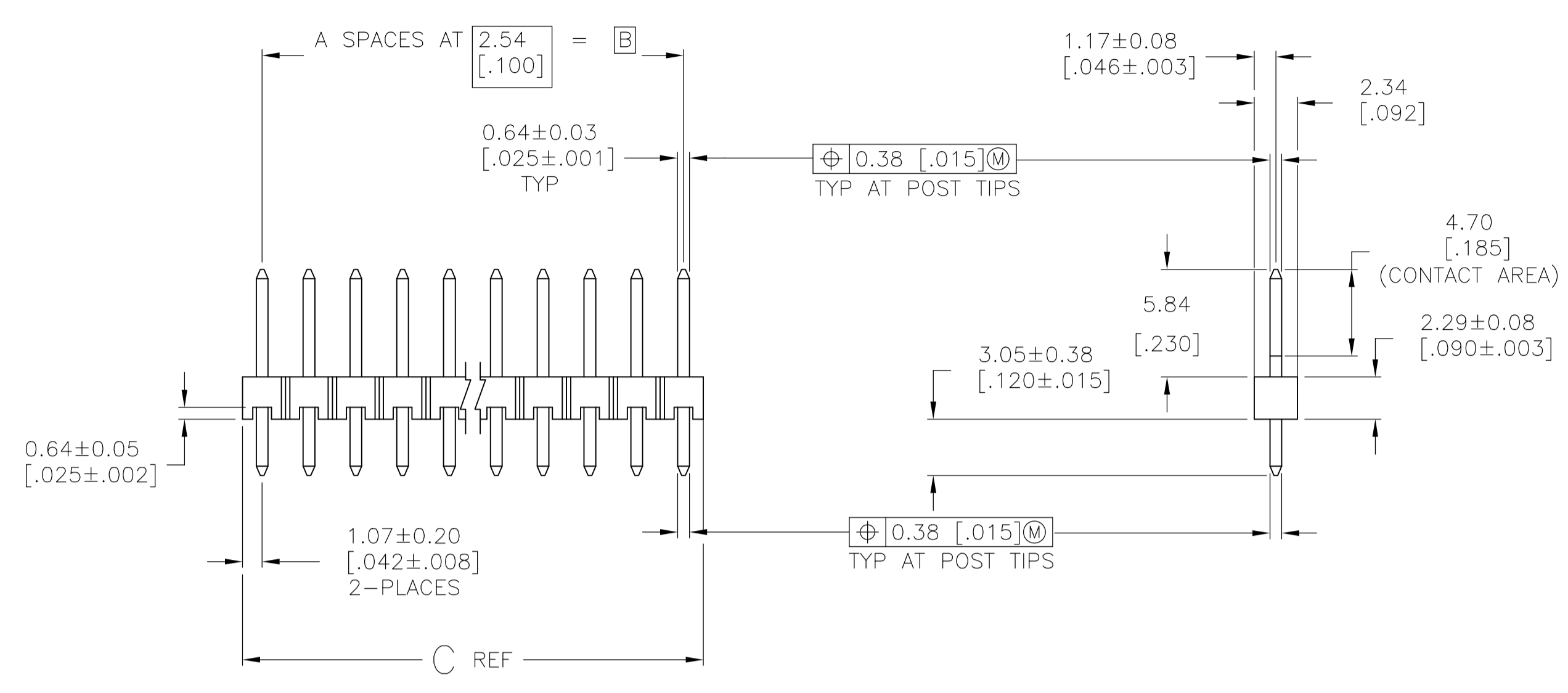


REVISIONS					
P	LTR	DESCRIPTION	DATE	DRN	APVD
H1	REVISED PER ECO-16-012733		31AUG2016	NK	MM
H2	REVISED PER ECO-18-008365		30MAY2018	RS	MM



RECOMMENDED PC BOARD MOUNTING DIMENSIONS FOR .063 [1.60] THICK PC BOARD AND .012 [.305] STENCIL THICK.

- ASSEMBLY MAY BE BROKEN TO THE DESIRED NUMBER OF POSITIONS.
- TRUE POSITION TOLERANCE OF THE POST TIPS APPLIES WHEN THE HEADERS ARE HELD FLAT AGAINST THE PRINTED CIRCUIT BOARD.
- 0.000381 [.000015] GOLD IN CONTACT AREA, 0.00254-0.00508 [.0000100-.0000200] MATTE TIN-LEAD ON SOLDER TAIL, ALL OVER 0.00127 [.000050] NICKEL.
- MATERIAL: HOUSING - LCP, COLOR: BLACK. POSTS - COPPER ALLOY.
- 0.000381 [.000015] GOLD IN CONTACT AREA, 0.00254-0.00508 [.0000100-.0000200] MATTE TIN ON SOLDER TAIL, ALL OVER 0.00127 [.000050] NICKEL.
- OBsolete PARTS: OBsolete CIS STREAMLINING PER D.RENAUD/D.SINISI.

PLATING	C	B	A	NO. OF POSITIONS	PART NUMBER
5	101.19 [3.984]	99.06 [3.900]	39	40	9-146280-0
5	98.65 [3.884]	96.52 [3.800]	38	39	6-146280-9
5	96.11 [3.784]	93.98 [3.700]	37	38	6-146280-8
5	93.57 [3.684]	91.44 [3.600]	36	37	6-146280-7
5	91.03 [3.584]	88.90 [3.500]	35	36	8-146280-6
5	88.49 [3.484]	86.36 [3.400]	34	35	6-146280-5
5	85.95 [3.384]	83.82 [3.300]	33	34	6-146280-4
5	83.41 [3.284]	81.28 [3.200]	32	33	6-146280-3
5	80.87 [3.184]	78.74 [3.100]	31	32	6-146280-2
5	78.33 [3.084]	76.20 [3.000]	30	31	6-146280-1
5	75.79 [2.984]	73.66 [2.900]	29	30	8-146280-0
5	73.25 [2.884]	71.12 [2.800]	28	29	6-146280-9
5	70.71 [2.784]	68.58 [2.700]	27	28	6-146280-8
5	68.17 [2.684]	66.04 [2.600]	26	27	6-146280-7
5	65.63 [2.584]	63.5 [2.500]	25	26	7-146280-6
5	63.09 [2.484]	60.96 [2.400]	24	25	6-146280-5
5	60.55 [2.384]	58.42 [2.300]	23	24	6-146280-4
5	58.01 [2.284]	55.88 [2.200]	22	23	6-146280-3
5	55.47 [2.184]	53.34 [2.100]	21	22	6-146280-2
5	52.93 [2.084]	50.80 [2.000]	20	21	6-146280-1
5	50.39 [1.984]	48.26 [1.900]	19	20	6-146280-0
5	47.85 [1.884]	45.72 [1.800]	18	19	6-146280-9
5	45.31 [1.784]	43.18 [1.700]	17	18	6-146280-8
5	42.77 [1.684]	40.64 [1.600]	16	17	6-146280-7
5	40.23 [1.584]	38.10 [1.500]	15	16	6-146280-6
5	37.69 [1.484]	35.56 [1.400]	14	15	6-146280-5
5	35.15 [1.384]	33.02 [1.300]	13	14	6-146280-4
5	32.61 [1.284]	30.48 [1.200]	12	13	6-146280-3
5	30.07 [1.184]	27.94 [1.100]	11	12	6-146280-2
5	27.53 [1.084]	25.40 [1.000]	10	11	6-146280-1
5	24.99 [.984]	22.86 [.900]	9	10	6-146280-0
5	22.45 [.884]	20.32 [.800]	8	9	5-146280-9
5	19.91 [.784]	17.78 [.700]	7	8	5-146280-8
5	17.37 [.684]	15.24 [.600]	6	7	5-146280-7
5	14.83 [.584]	12.70 [.500]	5	6	5-146280-6
5	12.29 [.484]	10.16 [.400]	4	5	5-146280-5
5	9.75 [.384]	7.62 [.300]	3	4	5-146280-4
5	7.21 [.284]	5.08 [.200]	2	3	5-146280-3
5	4.67 [.184]	2.54 [.100]	1	2	5-146280-2
5	2.13 [.084]	- [-]	0	1	5-146280-1

PLATING	C	B	A	NO. OF POSITIONS	PART NUMBER
5	7.21 [.284]	5.08 [.200]	2	3	5-146280-3
3	101.19 [3.984]	99.06 [3.900]	39	40	4-146280-0
3	98.65 [3.884]	96.52 [3.800]	38	39	6-146280-9
3	96.11 [3.784]	93.98 [3.700]	37	38	6-146280-8
3	93.57 [3.684]	91.44 [3.600]	36	37	6-146280-7
3	91.03 [3.584]	88.90 [3.500]	35	36	6-146280-6
3	88.49 [3.484]	86.36 [3.400]	34	35	6-146280-5
3	85.95 [3.384]	83.82 [3.300]	33	34	6-146280-4
3	83.41 [3.284]	81.28 [3.200]	32	33	6-146280-3
3	80.87 [3.184]	78.74 [3.100]	31	32	6-146280-2
3	78.33 [3.084]	76.20 [3.000]	30	31	6-146280-1
3	75.79 [2.984]	73.66 [2.900]	29	30	6-146280-0
3	73.25 [2.884]	71.12 [2.800]	28	29	6-146280-9
3	70.71 [2.784]	68.58 [2.700]	27	28	6-146280-8
3	68.17 [2.684]	66.04 [2.600]	26	27	6-146280-7
3	65.63 [2.584]	63.5 [2.500]	25	26	6-146280-6
3	63.09 [2.484]	60.96 [2.400]	24	25	6-146280-5
3	60.55 [2.384]	58.42 [2.300]	23	24	6-146280-4
3	58.01 [2.284]	55.88 [2.200]	22	23	6-146280-3
3	55.47 [2.184]	53.34 [2.100]	21	22	6-146280-2
3	52.93 [2.084]	50.80 [2.000]	20	21	6-146280-1
3	50.39 [1.984]	48.26 [1.900]	19	20	6-146280-0
3	47.85 [1.884]	45.72 [1.800]	18	19	6-146280-9
3	45.31 [1.784]	43.18 [1.700]	17	18	6-146280-8
3	42.77 [1.684]	40.64 [1.600]	16	17	6-146280-7
3	40.23 [1.584]	38.10 [1.500]	15	16	6-146280-6
3	37.69 [1.484]	35.56 [1.400]	14	15	6-146280-5
3	35.15 [1.384]	33.02 [1.300]	13	14	6-146280-4
3	32.61 [1.284]	30.48 [1.200]	12	13	6-146280-3
3	30.07 [1.184]	27.94 [1.100]	11	12	6-146280-2
3	27.53 [1.084]	25.40 [1.000]	10	11	6-146280-1
3	24.99 [.984]	22.86 [.900]	9	10	6-146280-0
3	22.45 [.884]	20.32 [.800]	8	9	6-146280-9
3	19.91 [.784]	17.78 [.700]	7	8	6-146280-8
3	17.37 [.684]	15.24 [.600]	6	7	6-146280-7
3	14.83 [.584]	12.70 [.500]	5	6	6-146280-6
3	12.29 [.484]	10.16 [.400]	4	5	6-146280-5
3	9.75 [.384]	7.62 [.300]	3	4	6-146280-4
3	7.21 [.284]	5.08 [.200]	2	3	6-146280-3
3	4.67 [.184]	2.54 [.100]	1	2	6-146280-2
3	2.13 [.084]	- [-]	0	1	6-146280-1

THIS DRAWING IS A CONTROLLED DOCUMENT. DWN T. HOFFMAN 6/12/95  
 DW G. DUBNICZKI 3/18/96  
 APVD G. DUBNICZKI 3/18/96

STE TE Connectivity Ltd.

HDR ASSY, MOD II, BREAKWAY, SINGLE ROW, HIGH TEM, VERTICAL W/.025 SQ POSTS, .100

SIZE CAGE CODE DRAWING NO. RESTRICTED TO  
 A1 00779 C=146280

MATERIAL 4 FINISH SEE TABLE WEIGHT CUSTOMER DRAWING SCALE 4:1 SHEET 1 OF 1 REV H2

## X-ON Electronics

Largest Supplier of Electrical and Electronic Components

*Click to view similar products for [Headers & Wire Housings](#) category:*

*Click to view products by [TE Connectivity](#) manufacturer:*

Other Similar products are found below :

[892-18-020-10-001101](#) [58102-G61-06LF](#) [582553-1](#) [0009485154](#) [009176003701906](#) [0050291907](#) [LY20-4P-DT1-P1E-BR](#) [02.125.8002.8](#)  
[609-3404](#) [61062-3](#) [61082-181009](#) [622-3653LF](#) [63453-116](#) [636-1030](#) [636-1427](#) [636-3427](#) [636-4007](#) [641938-9](#) [641991-4](#) [644827-2](#) [65817-](#)  
[010LF](#) [65817-015LF](#) [65863-015LF](#) [66207-023LF](#) [67095-007LF](#) [67601157](#) [68645-018](#) [68648-049](#) [70.362.1628.0](#) [70-4210](#) [70-4226B](#) [70-](#)  
[4853B](#) [707-5020](#) [707-5028](#) [71.350.2428.0](#) [71918-208LF](#) [71961-016LF](#) [733-134](#) [733-162](#) [754199-000](#) [760-3052](#) [787-8014-00](#) [79531-3000](#)  
[FCN-360C032-B](#) [FCN-367T-T012/H](#) [FCN-723D010/2](#) [80.063.4001.1](#) [800-90-001-10-001000](#) [800-90-010-10-002000](#) [801-43-002-10-013000](#)