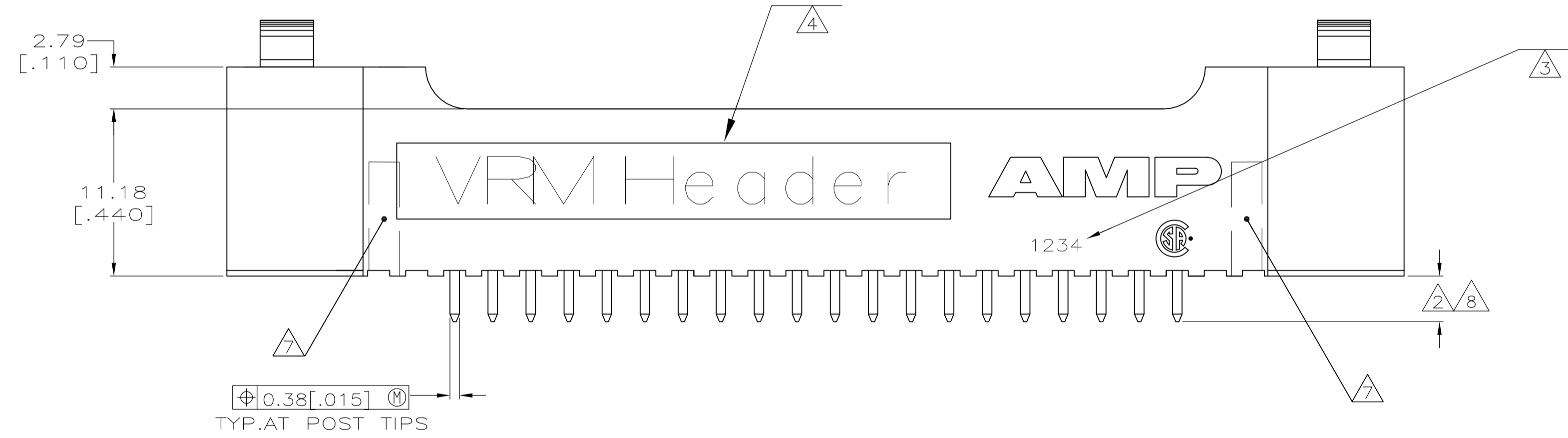
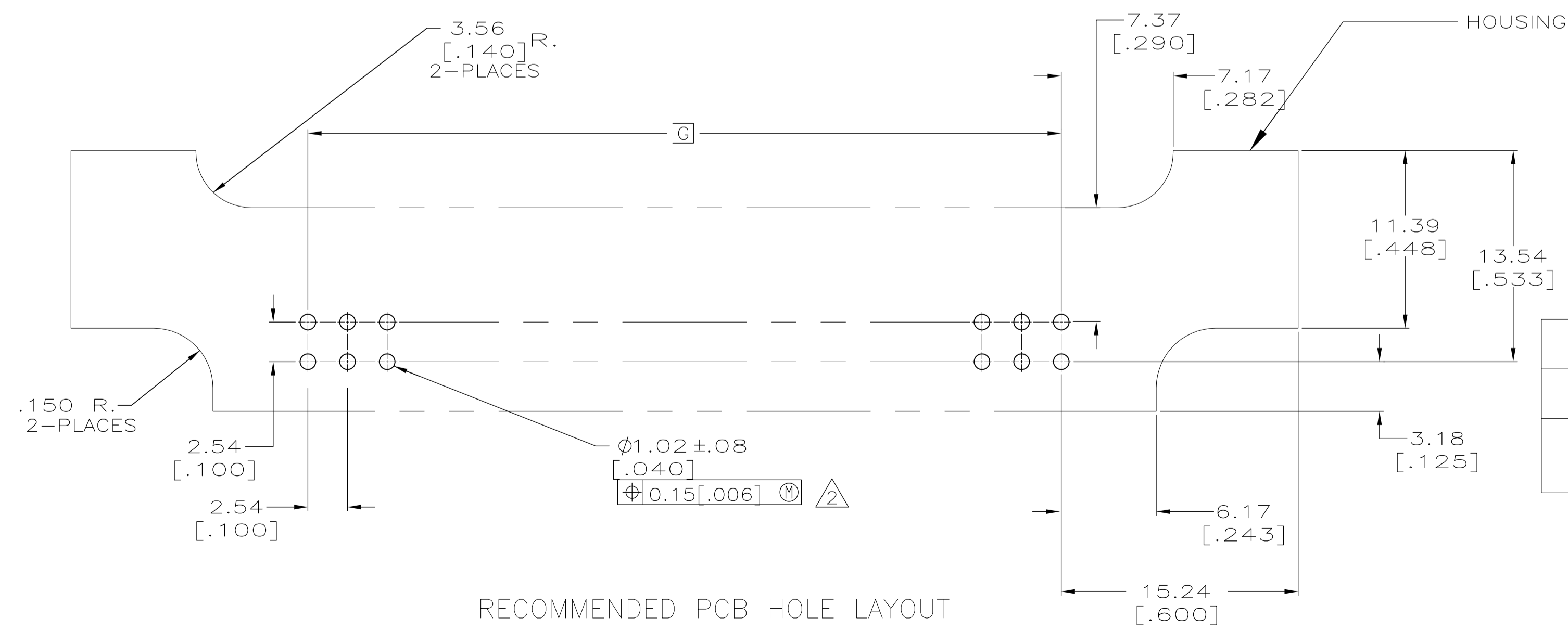


SECTION Z-Z



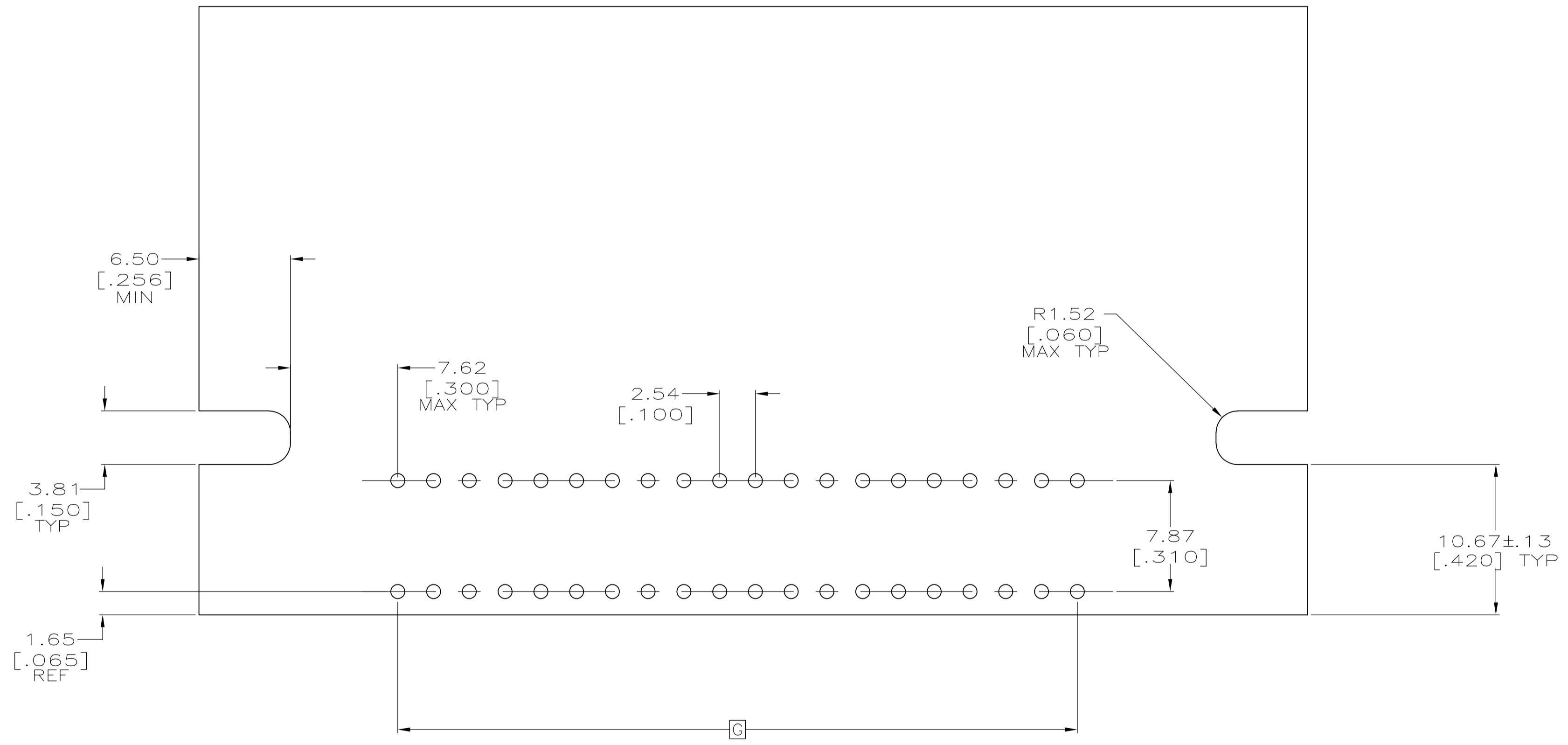
- △ FINISH OVER INDICATED AREA: 0.000762[.000030] MIN GOLD OVER 0.00127[.000050] NICKEL. MEETS EIA-364-53 POROSITY, MEAS. AREA .130 FROM TIP.
- △ FINISH OVER INDICATED AREA: 0.00254[.000100]-0.00635[.000250] MATTE OR BRIGHT TIN-LEAD OVER 0.00127[.000050] NICKEL.
- △ DATE CODE EITHER SIDE, WITH COUNTRY OF ORIGIN IF APPLICABLE.
- △ "VRM Header" MOLDED INTO BOTH SIDES OF HOUSING. WITH MATTE BACKGROUND.
- △ MATERIAL: GLASS FILLED VO THERMOPLASTIC
COLOR: BLACK
- 6. RESTRICTED TO INTEL VRM PROGRAM
- △ VOID CORING OPTIONAL IN THIS AREA.
- △ FINISH OVER INDICATED AREA 0.00254-0.00635 (.000100-.000250) MATTE TIN OVER 0.00127 (.000050) NICKEL. MEETS EIA-364-53 POROSITY, MEAS. AREA .130 FROM TIP.
- △ ROHS 2002/95/EC COMPLIANT.



△1△8	48.26 [1.900]	70.61 [2.780]	57.65 [2.270]	78.74 [3.100]	58.42 [2.300]	48.26 [1.900]	19	40	△9	5-146315-1
△1△2	48.26 [1.900]	70.61 [2.780]	57.65 [2.270]	78.74 [3.100]	58.42 [2.300]	48.26 [1.900]	19	40		146315-1
FINISH	G	F	E	D	C	B	A	NO OF POSN		PART NUMBER

THIS DRAWING IS A CONTROLLED DOCUMENT.

DWN	KNAUB	1-21-95		Tyco Electronics Corporation					
CHK	PALEY	1-21-95		Harrisburg, PA 17105-3608					
APPD	PALEY	1-21-95		NAME					
PRODUCT SPEC				VRM8 HEADER, MOD II, DBL ROW, 2 PIECE, .100 X .100CL WITH BOARD LATCH WITH BOARD LATCH					
APPLICATION SPEC			SIZE	CAGE CODE	DRAWING NO	RESTRICTED TO			
			A1	00779	146315				
MATERIAL			WEIGHT						
			CUSTOMER DRAWING	SCALE	4:1	SHEET	1 OF 2	REV	E



THIS DRAWING IS A CONTROLLED DOCUMENT.		DWN	J. KNAUB	1-21-95	 Tyco Electronics Corporation Harrisburg, PA 17105-3608
DIMENSIONS: mm		CHK	H. PALEY	1-21-95	
TOLERANCES UNLESS OTHERWISE SPECIFIED:		APVD	H. PALEY	1-21-95	
0 PLC ± - 1 PLC ± - 2 PLC ± .010 3 PLC ± .005 4 PLC ± .0005 ANGLES ± -		NAME		VRM8 HEADER, MOD II, DBL ROW, 2 PIECE, .100 X .100CL WITH BOARD LATCH WITH BOARD LATCH	
MATERIAL	5	FINISH	SEE TABLE	WEIGHT	-
SCALE		4:1		SHEET	2 OF 2
CUSTOMER DRAWING		A1 00779 C-146315		RESTRICTED TO	-

X-ON Electronics

Largest Supplier of Electrical and Electronic Components

Click to view similar products for [Headers & Wire Housings](#) category:

Click to view products by [TE Connectivity](#) manufacturer:

Other Similar products are found below :

[892-18-020-10-001101](#) [58102-G61-06LF](#) [582553-1](#) [0009485154](#) [009176003701906](#) [0050291907](#) [LY20-4P-DT1-P1E-BR](#) [02.125.8002.8](#)
[609-3404](#) [61062-3](#) [61082-181009](#) [622-3653LF](#) [63453-116](#) [636-1030](#) [636-1427](#) [636-3427](#) [636-4007](#) [641938-9](#) [641991-4](#) [644827-2](#) [65817-010LF](#) [65817-015LF](#) [65863-015LF](#) [66207-023LF](#) [67095-007LF](#) [67601157](#) [68645-018](#) [68648-049](#) [70.362.1628.0](#) [70-4210](#) [70-4226B](#) [70-4853B](#) [707-5020](#) [707-5028](#) [71.350.2428.0](#) [71918-208LF](#) [71961-016LF](#) [733-134](#) [733-162](#) [754199-000](#) [760-3052](#) [787-8014-00](#) [79531-3000](#)
[FCN-360C032-B](#) [FCN-367T-T012/H](#) [FCN-723D010/2](#) [80.063.4001.1](#) [800-90-001-10-001000](#) [800-90-010-10-002000](#) [801-43-002-10-013000](#)