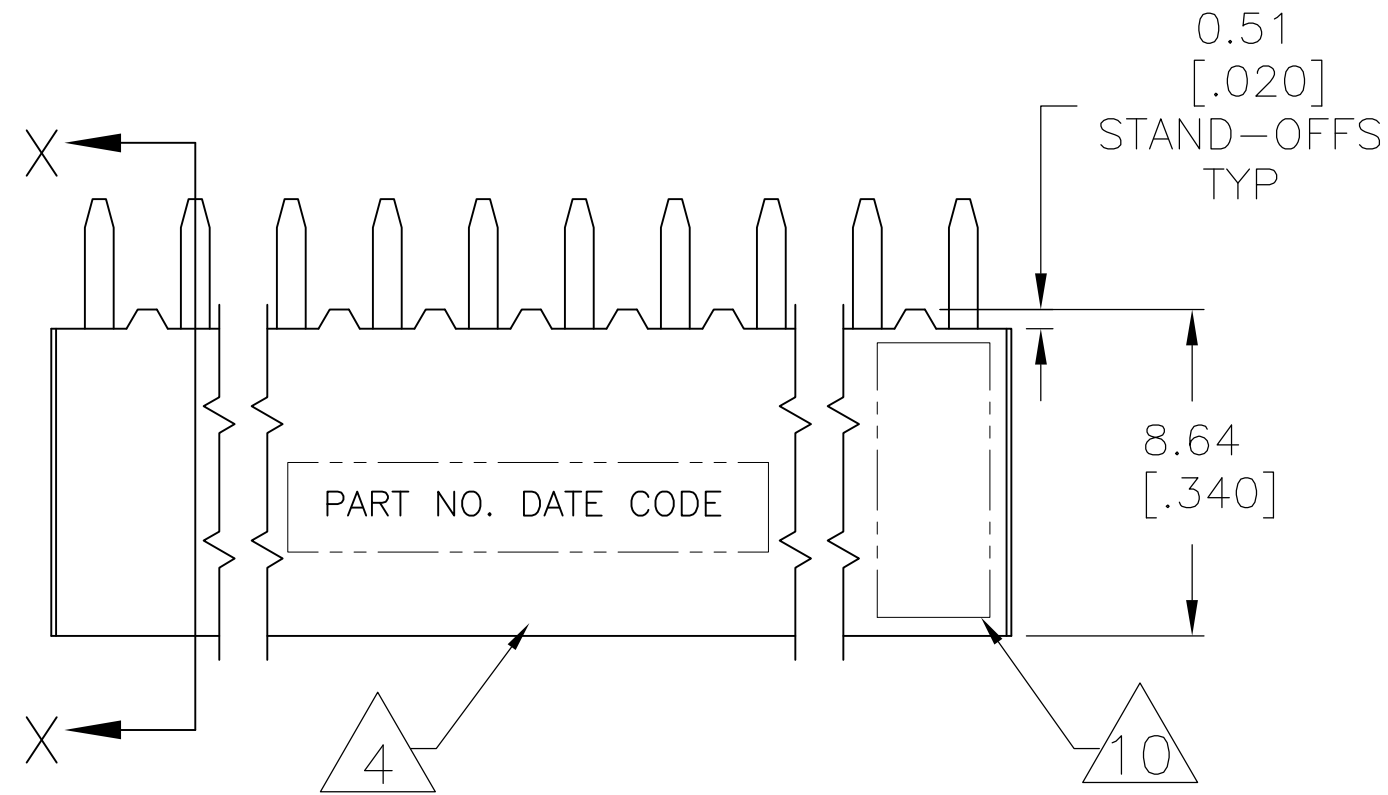
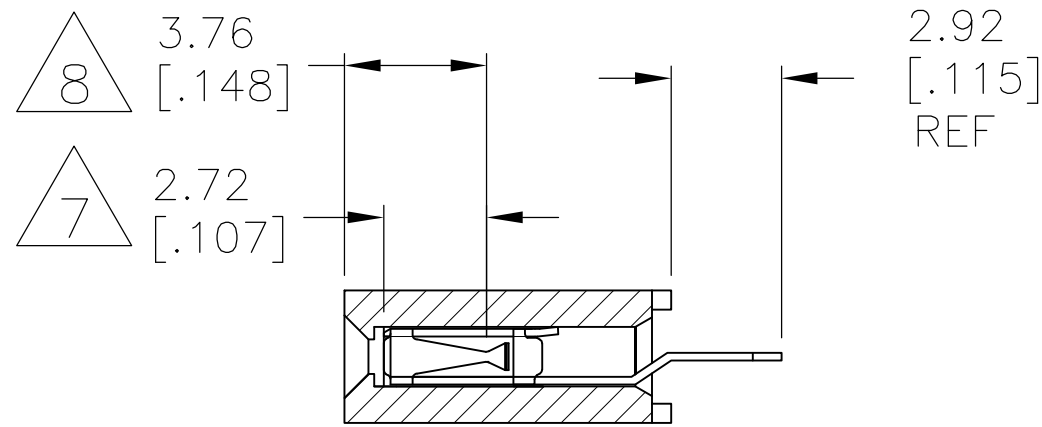
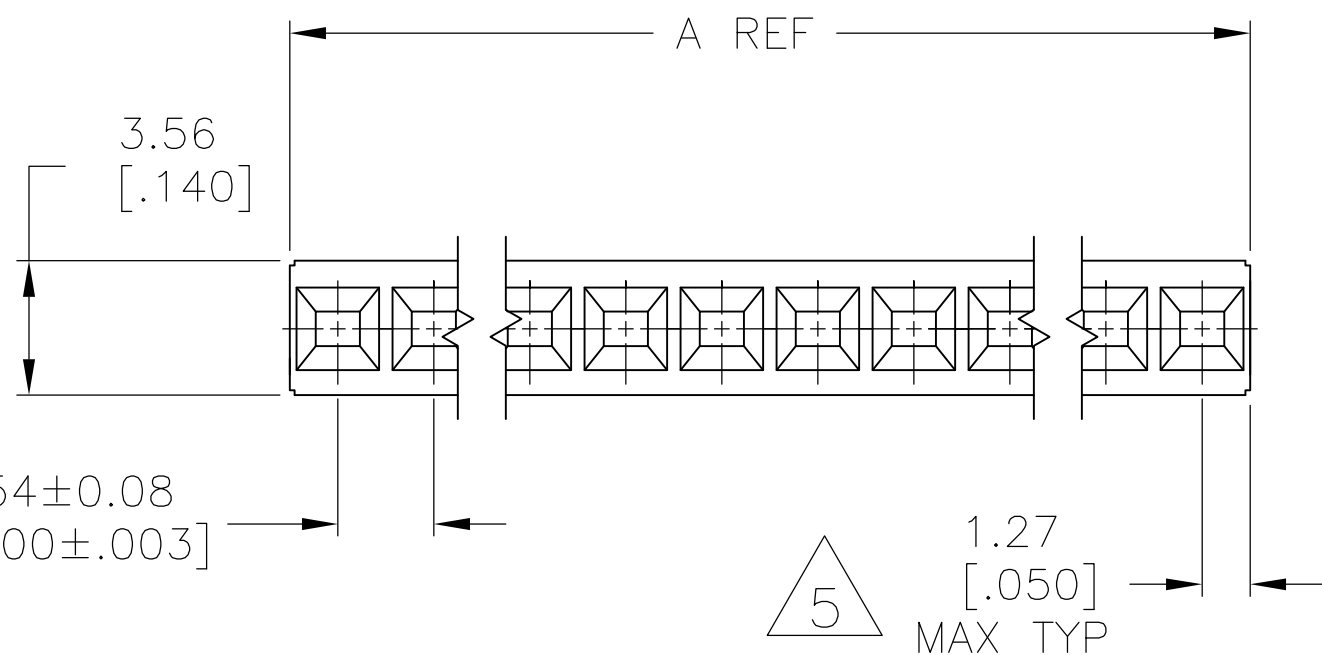


THIS DRAWING IS UNPUBLISHED. RELEASED FOR PUBLICATION
 © COPYRIGHT - By - ALL RIGHTS RESERVED.

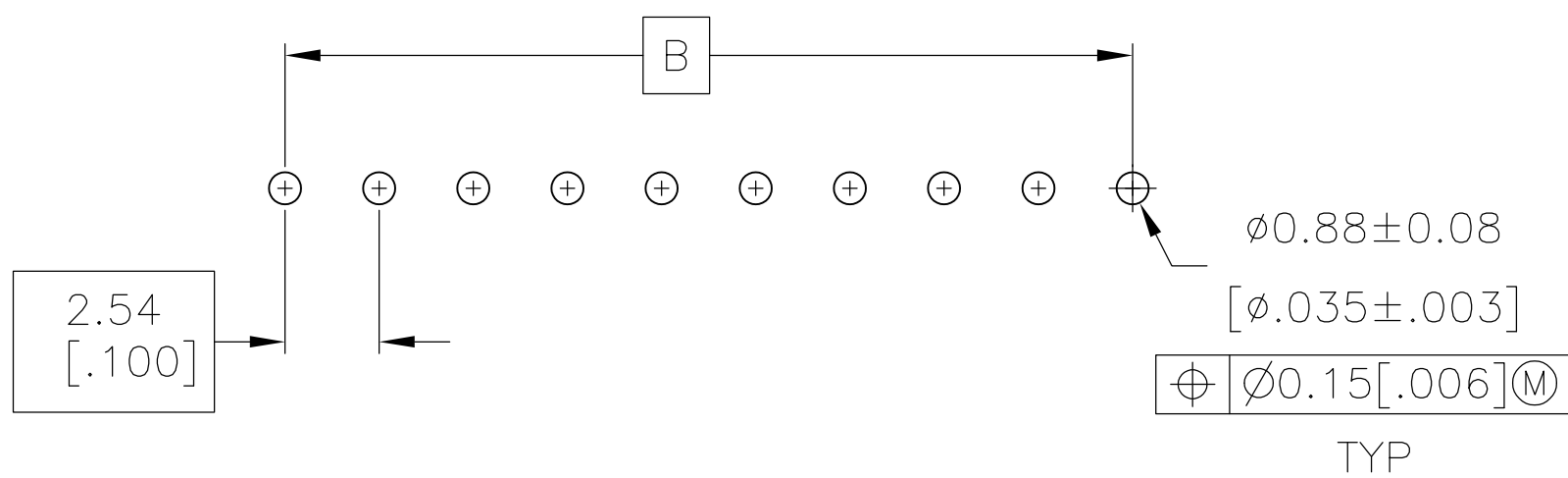
LOC		DIST		REVISIONS			
P	LTR	DESCRIPTION		DATE	DWN	APVD	
AD	00	H4		REVISED PER ECO-13-005565	30MAR13	KH	JO



- 1 HOUSING: FLAME RETARDANT, GLASS FILLED, POLYESTER, COLOR: BLACK. CONTACT: PHOSPHOR BRONZE
- 2 CONTACT: 3.81-7.62 MICROMETERS (.000150-.000300) BRIGHT TIN-LEAD OVER 1.27 MICROMETERS (.000050) MINIMUM NICKEL.
- 3 THESE DIMENSIONS PERTAIN TO CAVITY CENTERLINES ONLY - NOT TO CONTACT LOCATIONS
- 4 MARK PART NUMBER AND DATE CODE IN APPROXIMATE LOCATION SHOWN, EITHER SIDE.
- 5 TOLERANCE IS NON-CUMULATIVE.
- 6 2 POSITION DATE CODE IS MARKED OPPOSITE SIDE OF TE LOGO.
- 7 POINT-OF-MEASUREMENT DIMENSION FOR PLATING THICKNESS (INSIDE CONTACT BEAM).
- 8 POINT-OF-CONTACT DIMENSION.
- 9 NO PART NUMBER MARKING REQUIRED FOR THIS PART.
- 10 TE LOGO AND CSA LOGO ARE MOLDED INTO HOUSING.
- 11 CONTACT: 3.81-7.62 MICROMETERS (.000150-.000300) MATTE TIN OVER 1.27 MICROMETERS (.000050) MINIMUM NICKEL."
- 12 ROHS 2002/95/EC COMPLIANT



SECTION X-X



RECOMENDED PC BD LAYOUT

THIS DRAWING IS A CONTROLLED DOCUMENT.		DWN M.BINNER 05NOV02		
DIMENSIONS: mm [INCHES]		CHK J.OLSON 05NOV02		
TOLERANCES UNLESS OTHERWISE SPECIFIED:		APVD J.OLSON 05NOV02	NAME RECPT.ASSY, MOD IV, SINGLE ROW, .100CL, VERTICAL BOARD MOUNT, CLOSED, TOP ENTRY, SHORT PNT. OF CONTACT	
0 PLC ± -	1 PLC ± -	PRODUCT SPEC 108-25022	SIZE A2	CAGE CODE 00779
2 PLC ± 0.25[.010]	3 PLC ± 0.13[.005]	APPLICATION SPEC 114-25018	DRAWING NO C=146763	RESTRICTED TO -
4 PLC ± -	ANGLES ± -	WEIGHT -	SCALE 5:1	SHEET 1 of 2
MATERIAL 1	FINISH 2 11	CUSTOMER DRAWING	REV H4	

THIS DRAWING IS UNPUBLISHED. RELEASED FOR PUBLICATION
 © COPYRIGHT - By - ALL RIGHTS RESERVED.


LOC	DIST	REVISIONS					
AD	00	P	LTR	DESCRIPTION	DATE	DWN	APVD
		-		SEE SHEET 1	-	-	-

FINISH	B	A	NO OF POSN	PART NUMBER
11	2.54 [.100]	5.08 [.200]	2	8-146763-9
11	99.06 [3.900]	101.60 [4.000]	40	8-146763-8
11	96.52 [3.800]	99.06 [3.900]	39	8-146763-7
11	93.98 [3.700]	96.52 [3.800]	38	8-146763-6
11	91.44 [3.600]	93.98 [3.700]	37	8-146763-5
11	88.90 [3.500]	91.44 [3.600]	36	8-146763-4
11	86.36 [3.400]	88.90 [3.500]	35	8-146763-3
11	83.82 [3.300]	86.36 [3.400]	34	8-146763-2
11	81.28 [3.200]	83.82 [3.300]	33	8-146763-1
11	78.74 [3.100]	81.28 [3.200]	32	8-146763-0
11	76.20 [3.000]	78.74 [3.100]	31	7-146763-9
11	73.66 [2.900]	76.20 [3.000]	30	7-146763-8
11	71.12 [2.800]	73.66 [2.900]	29	7-146763-7
11	68.58 [2.700]	71.12 [2.800]	28	7-146763-6
11	66.04 [2.600]	68.58 [2.700]	27	7-146763-5
11	63.50 [2.500]	66.04 [2.600]	26	7-146763-4
11	60.96 [2.400]	63.50 [2.500]	25	7-146763-3
11	58.42 [2.300]	60.96 [2.400]	24	7-146763-2
11	55.88 [2.200]	58.42 [2.300]	23	7-146763-1
11	53.34 [2.100]	55.88 [2.200]	22	7-146763-0
11	50.80 [2.000]	53.34 [2.100]	21	7-146763-0
11	48.26 [1.900]	50.80 [2.000]	20	6-146763-9
11	45.72 [1.800]	48.26 [1.900]	19	6-146763-8
11	43.18 [1.700]	45.72 [1.800]	18	6-146763-7
11	40.64 [1.600]	43.18 [1.700]	17	6-146763-6
11	38.10 [1.500]	40.64 [1.600]	16	6-146763-5
11	35.56 [1.400]	38.10 [1.500]	15	6-146763-4
11	33.02 [1.300]	35.56 [1.400]	14	6-146763-3
11	30.48 [1.200]	33.02 [1.300]	13	6-146763-2
11	27.94 [1.100]	30.48 [1.200]	12	6-146763-1
11	25.40 [1.000]	27.94 [1.100]	11	6-146763-0
11	20.32 [.800]	22.86 [.900]	9	5-146763-9
11	12.70 [.500]	15.24 [.600]	6	5-146763-8
11	10.16 [.400]	12.70 [.500]	5	5-146763-7
11	7.62 [.300]	10.16 [.400]	4	5-146763-6
11	5.08 [.200]	7.62 [.300]	3	5-146763-5
11	58.42 [2.300]	60.96 [2.400]	24	5-146763-4
11	22.86 [.900]	25.40 [1.000]	10	5-146763-3
11	17.78 [.700]	20.32 [.800]	8	5-146763-2
11	15.24 [.600]	17.78 [.700]	7	5-146763-1

FINISH	B	A	NO OF POSN	PART NUMBER
2	2.54 [.100]	5.08 [.200]	2	3-146763-9
2	99.06 [3.900]	101.60 [4.000]	40	3-146763-8
2	96.52 [3.800]	99.06 [3.900]	39	3-146763-7
2	93.98 [3.700]	96.52 [3.800]	38	3-146763-6
2	91.44 [3.600]	93.98 [3.700]	37	3-146763-5
2	88.90 [3.500]	91.44 [3.600]	36	3-146763-4
2	86.36 [3.400]	88.90 [3.500]	35	3-146763-3
2	83.82 [3.300]	86.36 [3.400]	34	3-146763-2
2	81.28 [3.200]	83.82 [3.300]	33	3-146763-1
2	78.74 [3.100]	81.28 [3.200]	32	3-146763-0
2	76.20 [3.000]	78.74 [3.100]	31	2-146763-9
2	73.66 [2.900]	76.20 [3.000]	30	2-146763-8
2	71.12 [2.800]	73.66 [2.900]	29	2-146763-7
2	68.58 [2.700]	71.12 [2.800]	28	2-146763-6
2	66.04 [2.600]	68.58 [2.700]	27	2-146763-5
2	63.50 [2.500]	66.04 [2.600]	26	2-146763-4
2	60.96 [2.400]	63.50 [2.500]	25	2-146763-3
2	58.42 [2.300]	60.96 [2.400]	24	2-146763-2
2	55.88 [2.200]	58.42 [2.300]	23	2-146763-1
2	53.34 [2.100]	55.88 [2.200]	22	2-146763-0
2	50.80 [2.000]	53.34 [2.100]	21	2-146763-0
2	48.26 [1.900]	50.80 [2.000]	20	1-146763-9
2	45.72 [1.800]	48.26 [1.900]	19	1-146763-8
2	43.18 [1.700]	45.72 [1.800]	18	1-146763-7
2	40.64 [1.600]	43.18 [1.700]	17	1-146763-6
2	38.10 [1.500]	40.64 [1.600]	16	1-146763-5
2	35.56 [1.400]	38.10 [1.500]	15	1-146763-4
2	33.02 [1.300]	35.56 [1.400]	14	1-146763-3
2	30.48 [1.200]	33.02 [1.300]	13	1-146763-2
2	27.94 [1.100]	30.48 [1.200]	12	1-146763-1
2	25.40 [1.000]	27.94 [1.100]	11	1-146763-0
2	20.32 [.800]	22.86 [.900]	9	146763-9
2	12.70 [.500]	15.24 [.600]	6	146763-8
2	10.16 [.400]	12.70 [.500]	5	146763-7
2	7.62 [.300]	10.16 [.400]	4	146763-6
2	5.08 [.200]	7.62 [.300]	3	146763-5
2	58.42 [2.300]	60.96 [2.400]	24	146763-4
2	22.86 [.900]	25.40 [1.000]	10	146763-3
2	17.78 [.700]	20.32 [.800]	8	146763-2
2	15.24 [.600]	17.78 [.700]	7	146763-1

SUPERCEDED BY 5-146763-8

SUPERCEDED BY 5-146763-3

THIS DRAWING IS A CONTROLLED DOCUMENT.		DWN M.BINNER 05NOV02	 TE Connectivity
DIMENSIONS: mm [INCHES]		CHK J.OLSON 05NOV02	
TOLERANCES UNLESS OTHERWISE SPECIFIED:		APVD J.OLSON 05NOV02	NAME RECPT.ASSY, MOD IV, SINGLE ROW, .100CL, VERTICAL BOARD MOUNT, CLOSED, TOP ENTRY, SHORT PNT. OF CONTACT
0 PLC ± - 1 PLC ± - 2 PLC ± 0.25[.010] 3 PLC ± 0.13[.005] 4 PLC ± - ANGLES ± -		PRODUCT SPEC 108-25022	
MATERIAL 1		APPLICATION SPEC 114-25018	SIZE A2
FINISH 2 11		WEIGHT -	CAGE CODE 00779
		CUSTOMER DRAWING	DRAWING NO C=146763
		SCALE 1:1	RESTRICTED TO -
		SHEET 2 OF 2	REV H4

X-ON Electronics

Largest Supplier of Electrical and Electronic Components

Click to view similar products for [Headers & Wire Housings](#) category:

Click to view products by [TE Connectivity](#) manufacturer:

Other Similar products are found below :

[892-18-020-10-001101](#) [58102-G61-06LF](#) [582553-1](#) [0009485154](#) [009176003701906](#) [0050291907](#) [LY20-4P-DT1-P1E-BR](#) [02.125.8002.8](#)
[609-3404](#) [61062-3](#) [61082-181009](#) [622-3653LF](#) [63453-116](#) [636-1030](#) [636-1427](#) [636-3427](#) [636-4007](#) [641938-9](#) [641991-4](#) [644827-2](#) [65817-](#)
[010LF](#) [65817-015LF](#) [65863-015LF](#) [66207-023LF](#) [67095-007LF](#) [67601157](#) [68645-018](#) [68648-049](#) [70.362.1628.0](#) [70-4210](#) [70-4226B](#) [70-](#)
[4853B](#) [707-5020](#) [707-5028](#) [71.350.2428.0](#) [71918-208LF](#) [71961-016LF](#) [733-134](#) [733-162](#) [754199-000](#) [760-3052](#) [787-8014-00](#) [79531-3000](#)
[FCN-360C032-B](#) [FCN-367T-T012/H](#) [FCN-723D010/2](#) [80.063.4001.1](#) [800-90-001-10-001000](#) [800-90-010-10-002000](#) [801-43-002-10-013000](#)