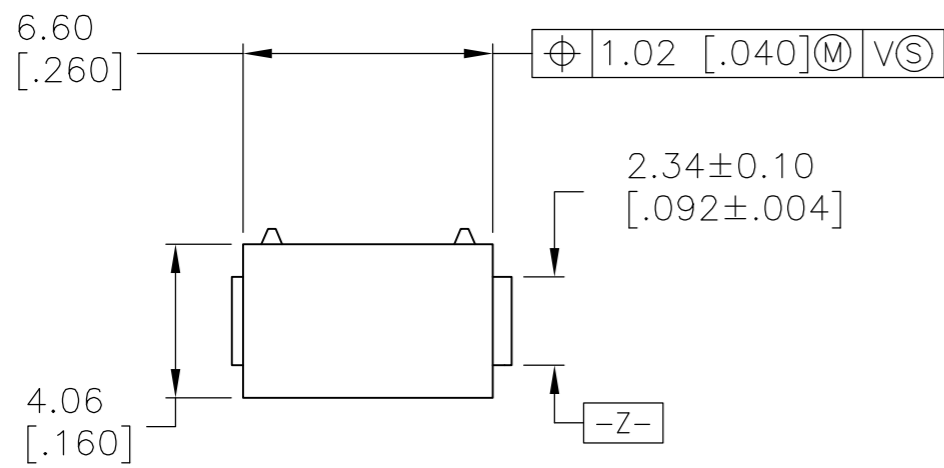
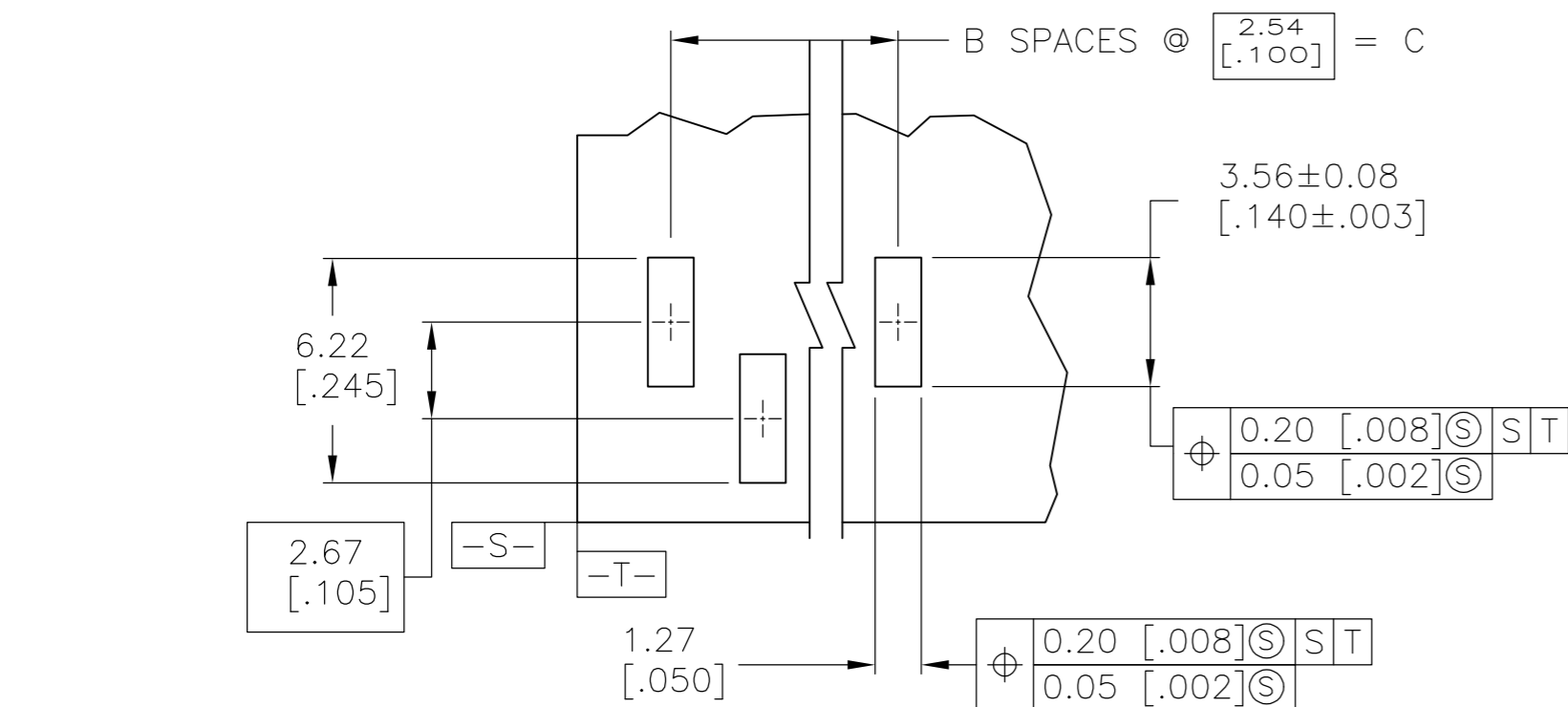
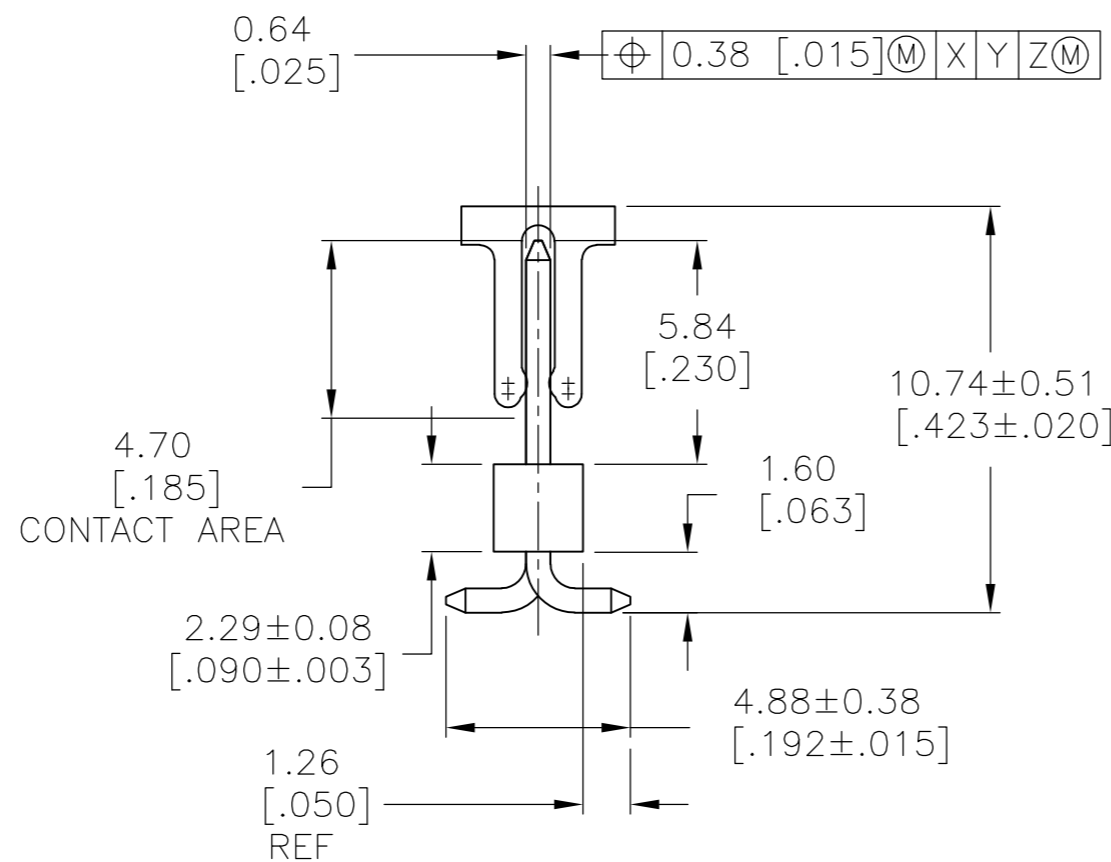
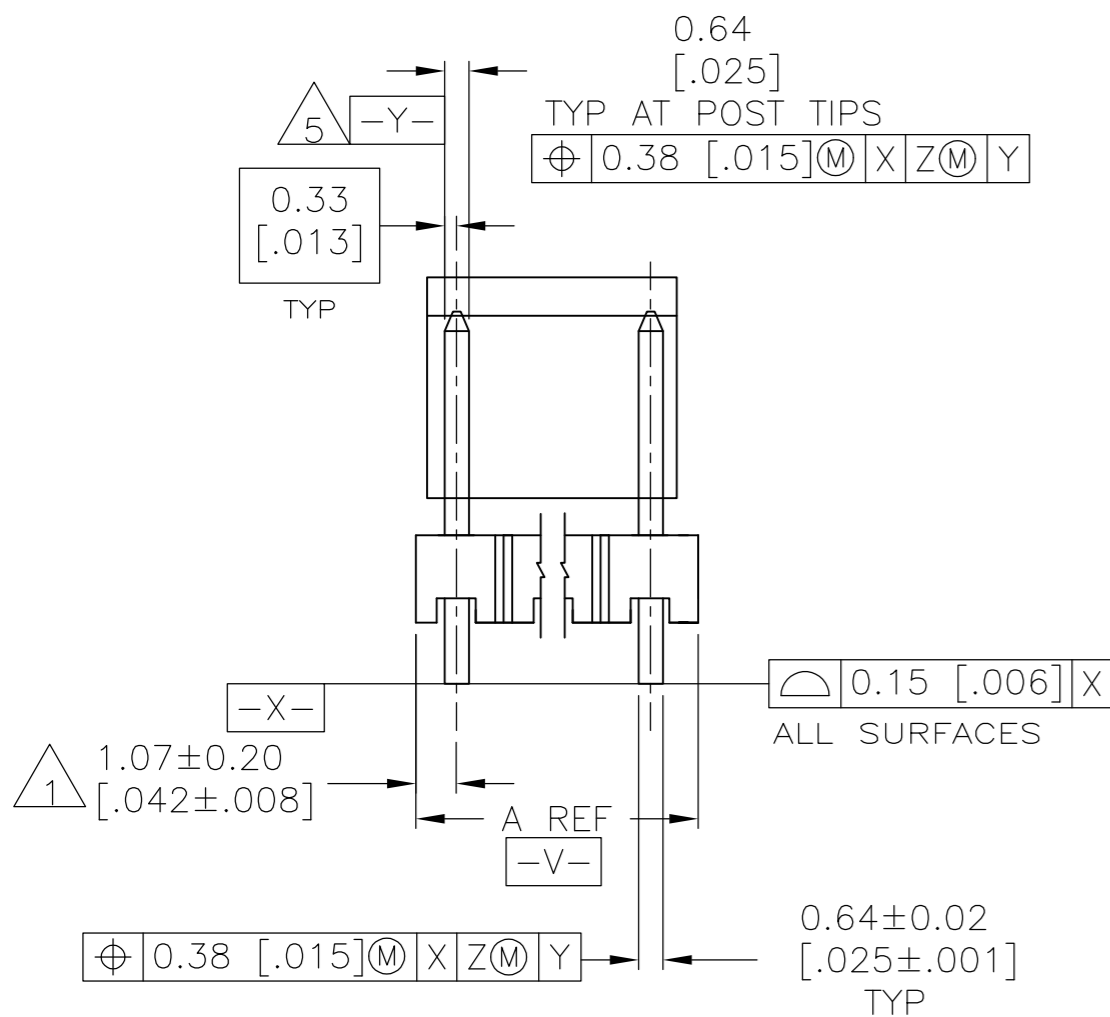


REVISIONS					
P	LTR	DESCRIPTION	DATE	DWN	APVD
G9		REVISED PER ECO-16-013460	21SEP2016	NK	MM



2.34±0.10
[.092±.004]



RECOMMENDED PCB LAYOUT
FOR USE WITH 0.20[.008] THICK STENCIL

- 1 THE NOTED DIMENSIONS APPLY AT THE INTERSECTION OF THE POST AND THE HOUSING.
- 2 0.000762[.000030] GOLD ON CONTACT AREA, 0.00254-0.00508[.000100-.000200] MATTE TIN-LEAD ON SOLDER TAIL, ALL OVER 0.00127[.000050] NICKEL.
- 3 HOUSING: LCP, COLOR-BLACK.
POST: COPPER ALLOY.
PICK AND PLACE CAP: PPA, COLOR-BLACK.
- 4 PACKAGED IN TAPE AND REEL PER EIA-481 SPECIFICATIONS.
SEE TABLE FOR TAPE WIDTHS.
- 5 DATUM -Y- SHALL BE THE INTERSECTION OF THE POST AND THE HOUSING.
- 6 PRELIMINARY PART - NOT RELEASED FOR PRODUCTION.
- 7 0.000762[.000030] GOLD ON CONTACT AREA, 0.00254-0.00508[.000100-.000200] MATTE TIN ON SOLDER TAIL, ALL OVER 0.00127[.000050] NICKEL.

6	7	56 mm	35.56 [1.400]	14	37.69 [1.484]	15	6-147118-3
6	7	56 mm	33.02 [1.300]	13	35.15 [1.384]	14	6-147118-2
6	7	56 mm	30.48 [1.200]	12	32.61 [1.284]	13	6-147118-1
6	7	56 mm	27.94 [1.100]	11	30.07 [1.184]	12	6-147118-0
6	7	56 mm	25.4 [1.000]	10	27.53 [1.084]	11	5-147118-9
6	7	56 mm	22.86 [.900]	9	24.99 [.984]	10	5-147118-8
6	7	44 mm	20.32 [.800]	8	22.45 [.884]	9	5-147118-7
6	7	44 mm	15.24 [.600]	6	17.37 [.684]	7	5-147118-6
6	7	32 mm	12.70 [.500]	5	14.83 [.584]	6	5-147118-5
	7	32 mm	10.16 [.400]	4	12.29 [.484]	5	5-147118-4
	7	24 mm	7.62 [.300]	3	9.75 [.384]	4	5-147118-3
	7	44 mm	17.78 [.700]	7	19.91 [.784]	8	5-147118-2
	7	24 mm	5.08 [.200]	2	7.21 [.284]	3	5-147118-1
OBSOLETE		32 mm	10.16 [.400]	4	12.29 [.484]	5	147118-5
6	2	32 mm	12.70 [.500]	5	14.83 [.584]	6	147118-4
	2	24 mm	7.62 [.300]	3	9.75 [.384]	4	147118-3
	2	44 mm	17.78 [.700]	7	19.91 [.784]	8	147118-2
	2	24 mm	5.08 [.200]	2	7.21 [.284]	3	147118-1
PLATING	TAPE WIDTH	C	B	A	NO OF POSN	PART NUMBER	

THIS DRAWING IS A CONTROLLED DOCUMENT.		DWN B. HAYMAKER	23JAN02	TE Connectivity			
DIMENSIONS: mm [INCHES]		CHK J. GESFORD	02DEC98				
TOLERANCES UNLESS OTHERWISE SPECIFIED:		APVD J. GESFORD	02DEC98	NAME S/M HEADER ASSEMBLY, MOD II, B/W, VERTICAL, SINGLE ROW, .100 C/L, .025 SQ POST, WITH PICK AND PLACE CAP			
0 PLC ± -	1 PLC ± -	PRODUCT SPEC		SIZE	CAGE CODE	DRAWING NO	RESTRICTED TO
2 PLC ± -	3 PLC ± 0.13[.005]	APPLICATION SPEC		A2	-	C=147118	-
4 PLC ± -	ANGLES ± -			WEIGHT	0	SCALE	5:1
MATERIAL	FINISH	SEE TABLE		CUSTOMER DRAWING		SHEET	1 of 1
3						REV	G9

X-ON Electronics

Largest Supplier of Electrical and Electronic Components

Click to view similar products for [Headers & Wire Housings](#) category:

Click to view products by [TE Connectivity](#) manufacturer:

Other Similar products are found below :

[892-18-020-10-001101](#) [58102-G61-06LF](#) [582553-1](#) [0009485154](#) [009176003701906](#) [0050291907](#) [LY20-4P-DT1-P1E-BR](#) [02.125.8002.8](#)
[609-3404](#) [61062-3](#) [61082-181009](#) [622-3653LF](#) [63453-116](#) [636-1030](#) [636-1427](#) [636-3427](#) [636-4007](#) [641938-9](#) [641991-4](#) [644827-2](#) [65817-](#)
[010LF](#) [65817-015LF](#) [65863-015LF](#) [66207-023LF](#) [67095-007LF](#) [67601157](#) [68645-018](#) [68648-049](#) [70.362.1628.0](#) [70-4210](#) [70-4226B](#) [70-](#)
[4853B](#) [707-5020](#) [707-5028](#) [71.350.2428.0](#) [71918-208LF](#) [71961-016LF](#) [733-134](#) [733-162](#) [754199-000](#) [760-3052](#) [79531-3000](#) [FCN-](#)
[360C032-B](#) [FCN-367T-T012/H](#) [FCN-723D010/2](#) [80.063.4001.1](#) [800-90-010-10-002000](#) [801-43-002-10-013000](#) [801-43-006-10-002000](#)
[801-93-011-10-001000](#)