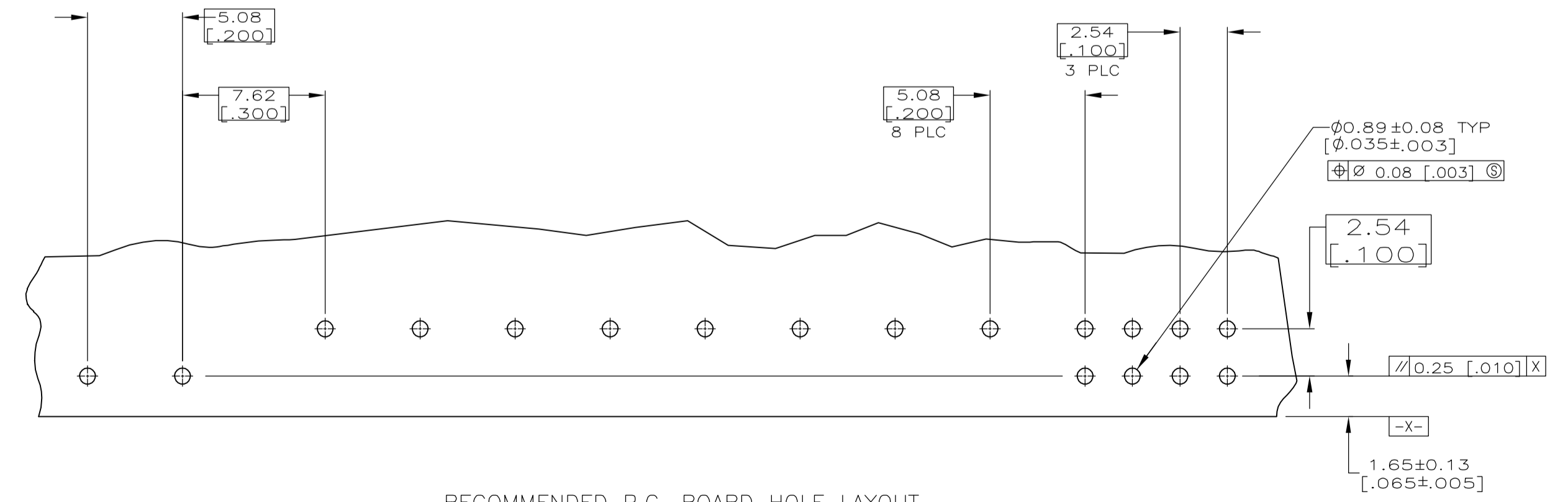
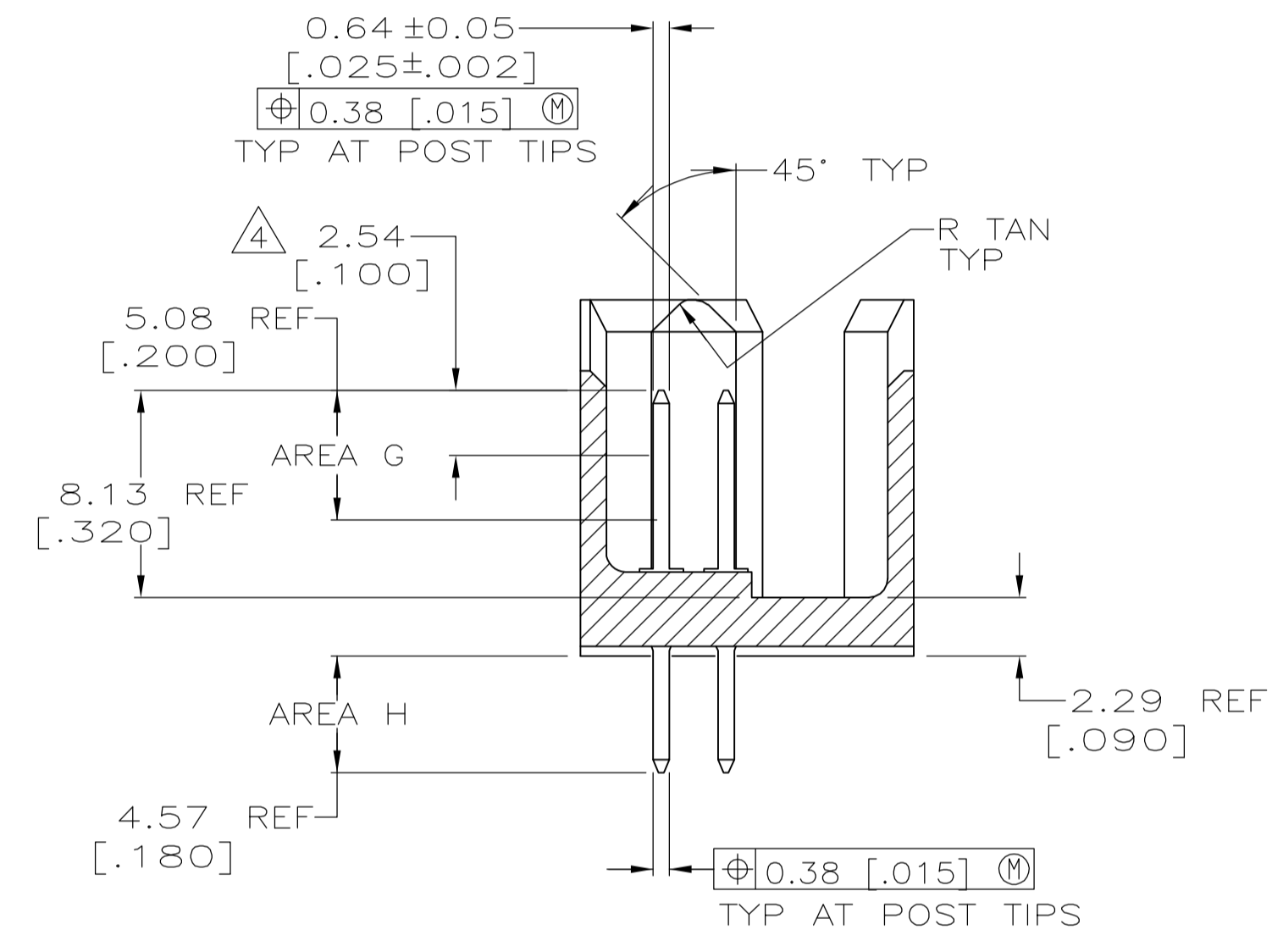
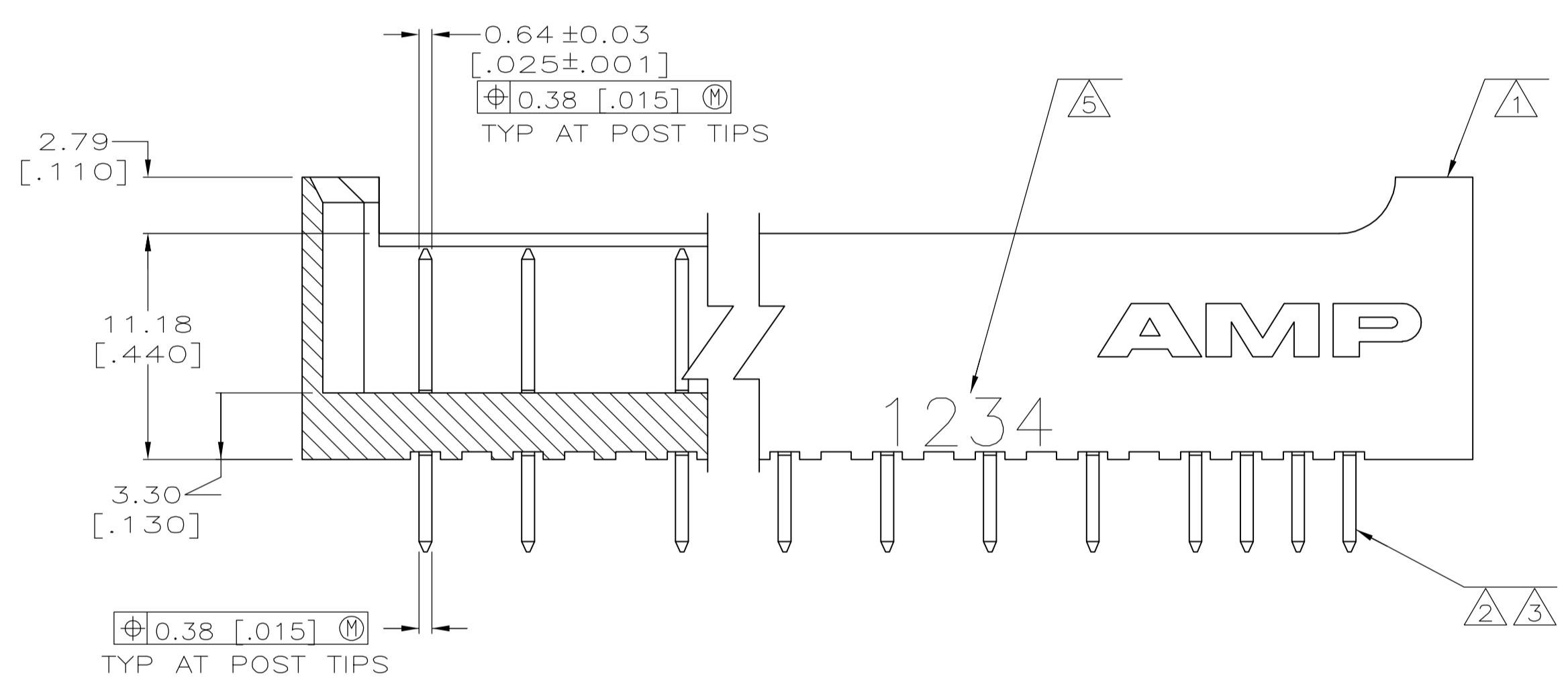
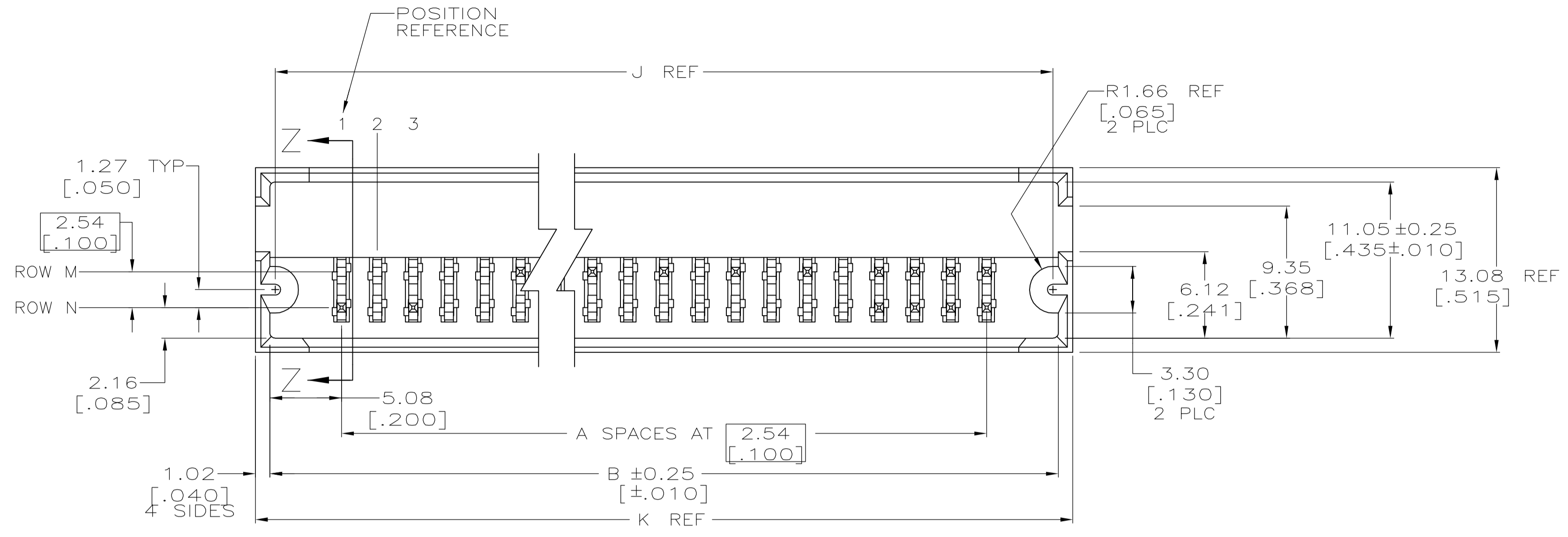


LOC		DIST		REVISIONS			
P	LTR	DESCRIPTION	DATE	DWN	APVD		
A1		ECO-05-16253	30JAN06	MB	JO		



- △ HOUSING: GLASS-FILLED NYLON.
- △ POST: COPPER ALLOY.
- △ POST FINISH: 0.00076 [.000030] GOLD IN AREA G, 0.00254-0.00508 [.000100-.000200] BRIGHT TIN-LEAD IN AREA H, ALL OVER 0.00127 [.000050] NICKEL.
- △ POINT OF MEASUREMENT FOR PLATING THICKNESS.
- △ RECESSED DATE CODE.
- 6. CSA LOGO HOT STAMPED WHITE ON HOUSING.
- △ POST FINISH: 0.00076 [.000030] GOLD IN AREA G, 0.00254-0.00508 [.000100-.000200] MATTE TIN IN AREA H, ALL OVER 0.00127 [.000050] NICKEL.
- △ ROHS 2002/95/EC COMPLIANT.

FINISH	ROW M	ROW N	K	J	B	A	NO OF POSN	PART NUMBER
7	1-5,7,9,11,13 15,17,19,21	2,4-21	73.15 [2.880]	70.36 [2.770]	71.12 [2.800]	24	18/50	5-147343-1
3	1-5,7,9,11,13 15,17,19,21	2,4-21	73.15 [2.880]	70.36 [2.770]	71.12 [2.800]	24	18/50	147343-1

THIS DRAWING IS A CONTROLLED DOCUMENT.		DWN S. HAYMAKER	05NOV99	tyco Electronics	Tyco Electronics Corporation Harrisburg, PA 17105-3608	
DIMENSIONS: mm [INCHES]		CHK J. GESFORD	05NOV99		NAME	HEADER ASSY, MOD II, DOUBLE ROW, 2.54 X 2.54 [.100 X .100] CL, 0.64 [.025] SQUARE POST, SELECT LOAD
TOLERANCES UNLESS OTHERWISE SPECIFIED:		APVD J. GESFORD	05NOV99	PRODUCT SPEC	SIZE	
0 PLC	± -			APPLICATION SPEC	CAGE CODE	
1 PLC	± -			WEIGHT	DRAWING NO	
2 PLC	± -			FINISH	RESTRICTED TO	
3 PLC	± 0.13[.005]			CUSTOMER DRAWING	SCALE	
4 PLC	± -				SHEET	
ANGLES	± -				REV	

X-ON Electronics

Largest Supplier of Electrical and Electronic Components

Click to view similar products for [Headers & Wire Housings](#) category:

Click to view products by [TE Connectivity](#) manufacturer:

Other Similar products are found below :

[95000-104TRLF](#) [10135584-644402LF](#) [DF62W-EP2022PCA](#) [95000-106TRLF](#) [DF62W-2022SCA](#) [DF62W-EP2022PC](#) [2203348](#) [DF62W-2022SC](#) [1084018](#) [1029039](#) [1084017](#) [802-10-012-10-002000](#) [1112640](#) [1112639](#) [891-007-9SS-BST1T](#) [000-34000](#) [0008550134](#) [0009482033](#) [0009507031](#) [57102-F02-18ULF](#) [57102-S06-03LF](#) [57202-S52-04LF](#) [PCN6-15S-2.5E](#) [0039019024](#) [58102-G61-06LF](#) [582553-1](#) [0009485154](#) [0009508121](#) [0022285053](#) [0050291907](#) [018731A](#) [LY20-4P-DT1-P1E-BR](#) [02.125.8002.8](#) [60101931](#) [60598-1 \(Cut Strip\)](#) [M1625-3R/100](#) [61062-3](#) [61082-181009](#) [CSU011177004](#) [636-1427](#) [638009-1](#) [641938-9](#) [641991-4](#) [644168-1](#) [644827-2](#) [647662-1](#) [65039-019ELF](#) [65692-001LF](#) [65781-018](#) [65781-047](#)