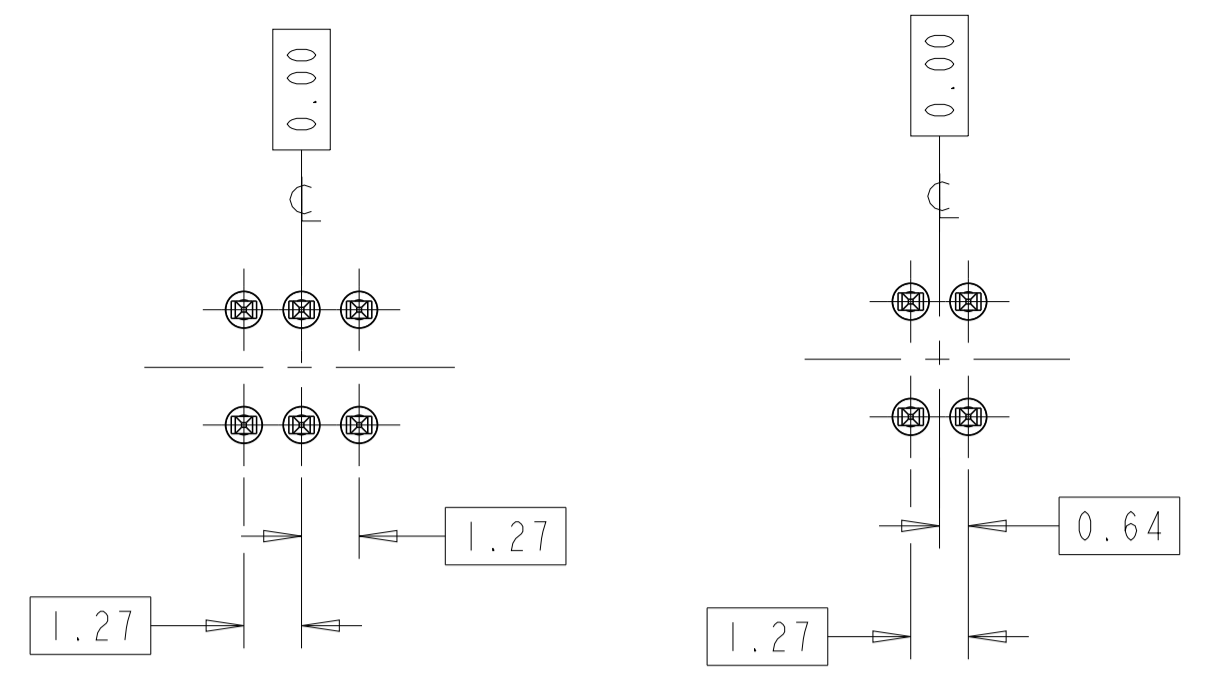
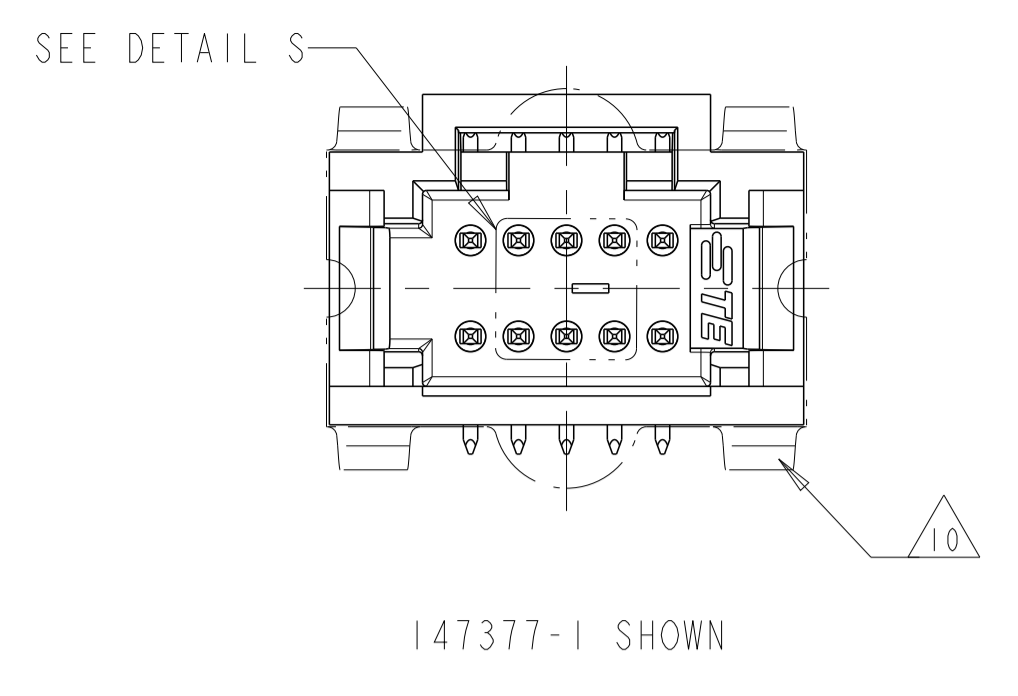
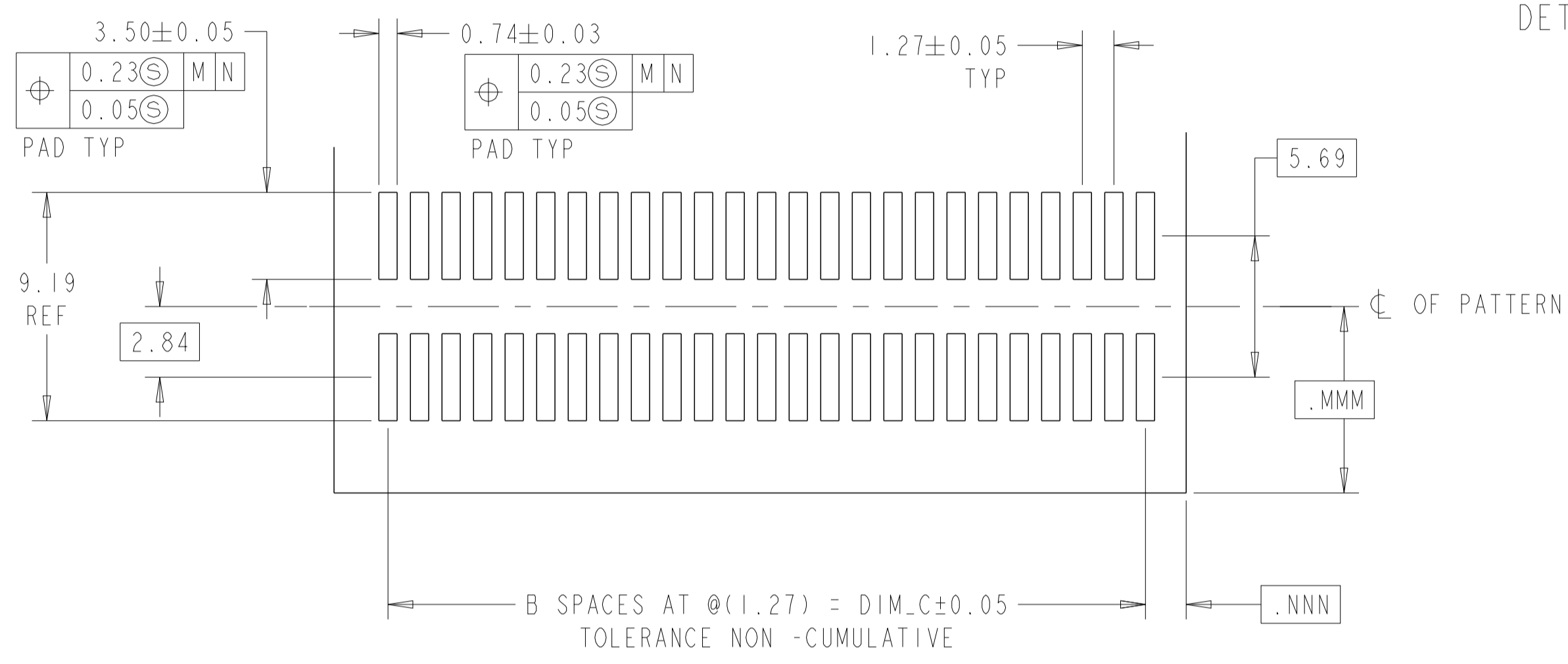
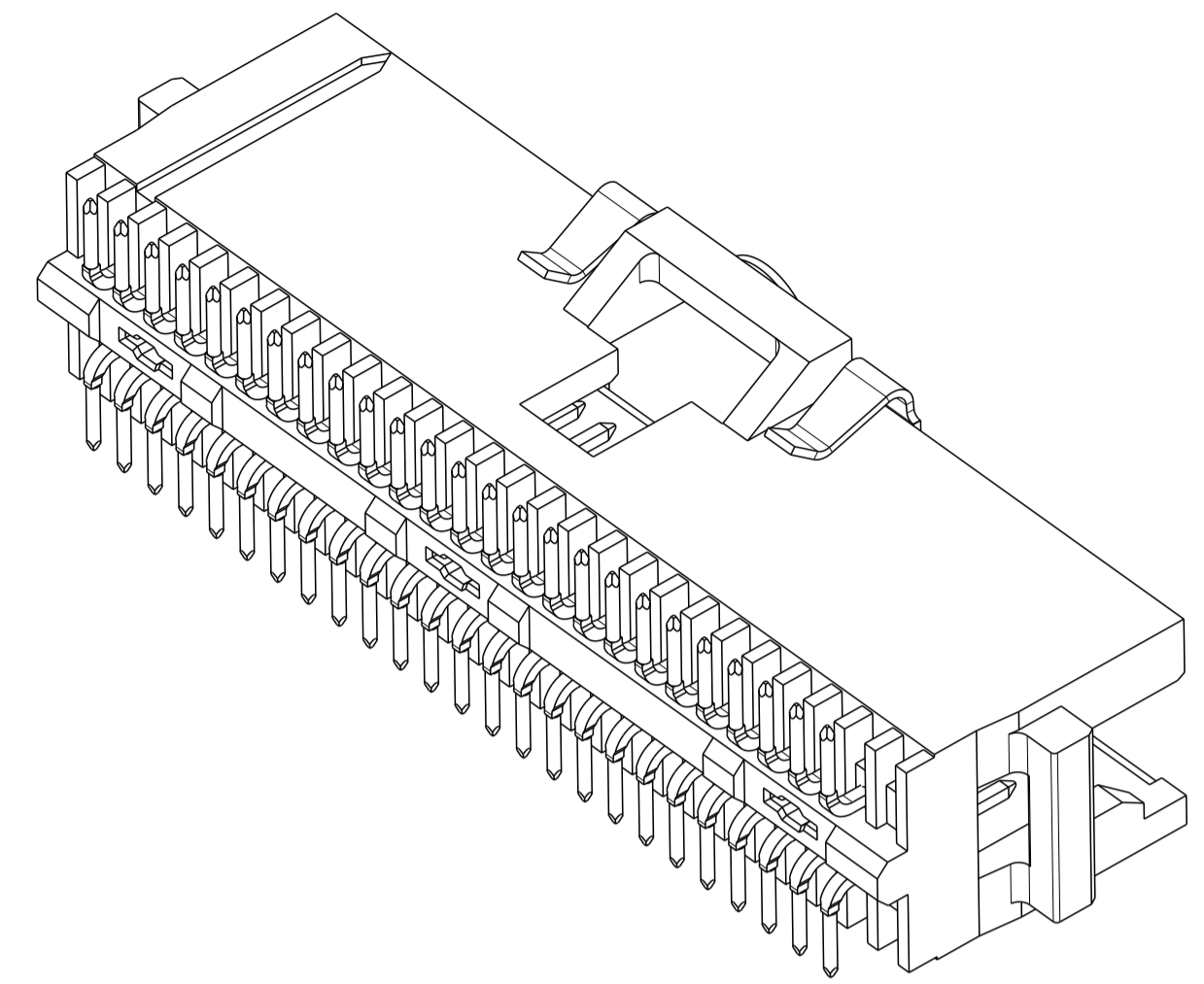


- 1 0.76µm GOLD IN LOCALIZED PLATE AREA, 3.81µm TIN-LEAD ON SOLDER TAILS ALL OVER 1.27µm NICKEL.
- 2 CIRCUIT IDENTIFICATION FEATURE OMITTED ON 10 POSITION HEADER ASSEMBLIES.
- 3 DIMENSION APPLIES AT BASE OF SHROUD.
- 4 NOTE DELETED.
- 5 NOTE DELETED.
- 6 VACUUM COVER DESIGNED FOR 4mm DIA NOZZLE. VACUUM COVER TO BE REMOVED AFTER SOLDERING.
- 7 PACKAGED IN TAPE AND REEL PER EIA-481 SPECIFICATIONS. SEE CHART FOR TAPE WIDTHS.
- 8 6.75mm MIN TARGET AREA FOR VACUUM PICK-UP.
- 9 HOUSING: LCP  
CONTACT: COPPER ALLOY  
VACUUM COVER: ALUMINUM.
- 10 VACUUM COVER SHOWN IN PHANTOM LINE.
- 11 0.76µm GOLD IN LOCALIZED PLATE AREA, 3.81µm TIN ON SOLDER TAILS, ALL OVER 1.27µm NICKEL.
- 12 NOTE DELETED.
- 13 NO CIRCUIT IDENTIFICATION FEATURE ON 10,12,20,24 AND 30 POSITION PARTS.
- 14 FINISH: 0.025µm MIN GOLD ON GOLD PLATED AREA, 3.81-6.35µm MATTE TIN-LEAD ON TIN PLATED AREA. UNDER PLATING TO BE 1.27-2.54µm NICKEL ON ENTIRE CONTACT.
- 15 FINISH: 0.025µm MIN GOLD ON GOLD PLATED AREA, 3.81-6.35µm MATTE TIN ON TIN PLATED AREA. UNDER PLATING TO BE 1.27-2.54µm NICKEL ON ENTIRE CONTACT.
- 16 PRELIMINARY - NOT FOR PRODUCTION.

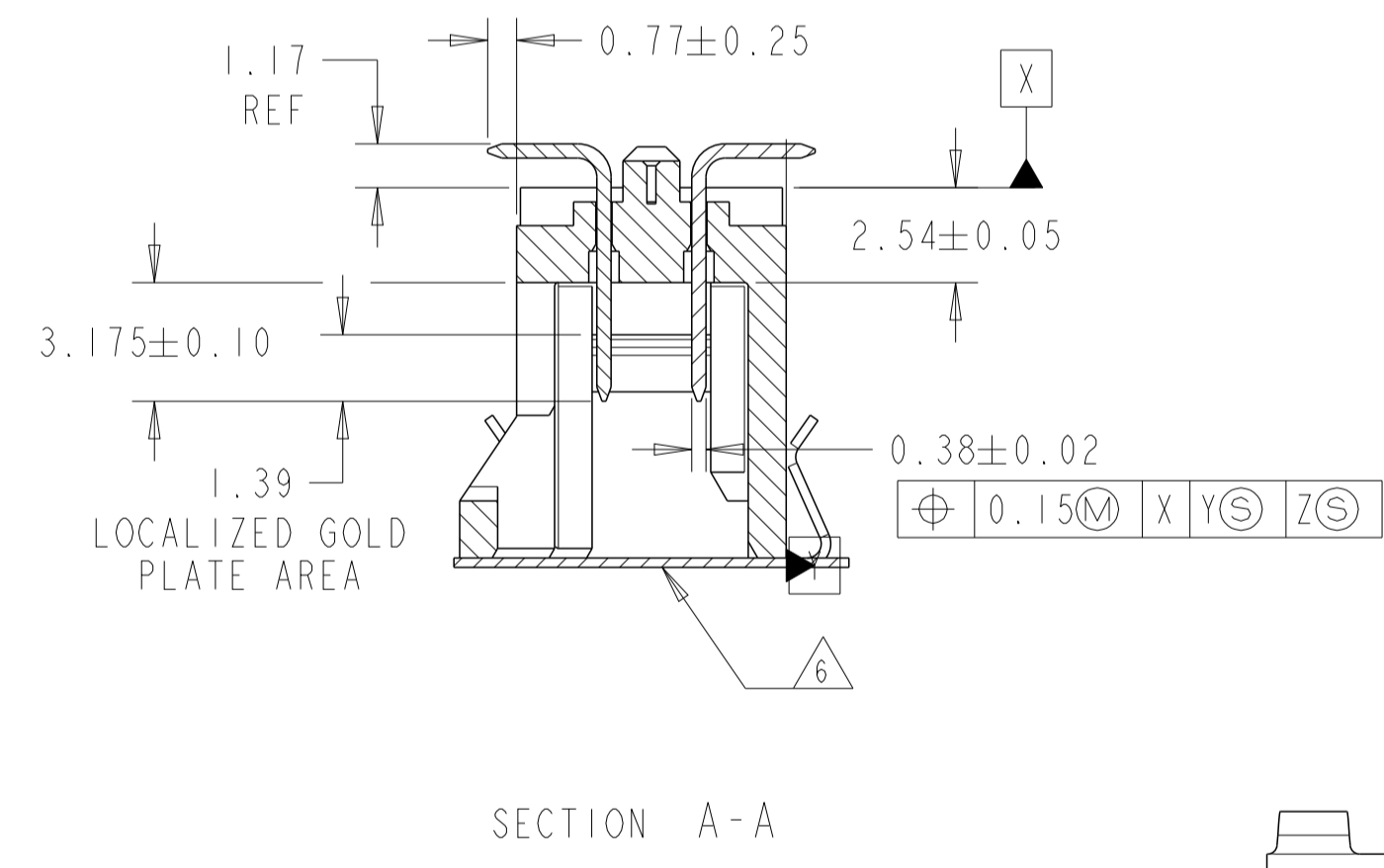
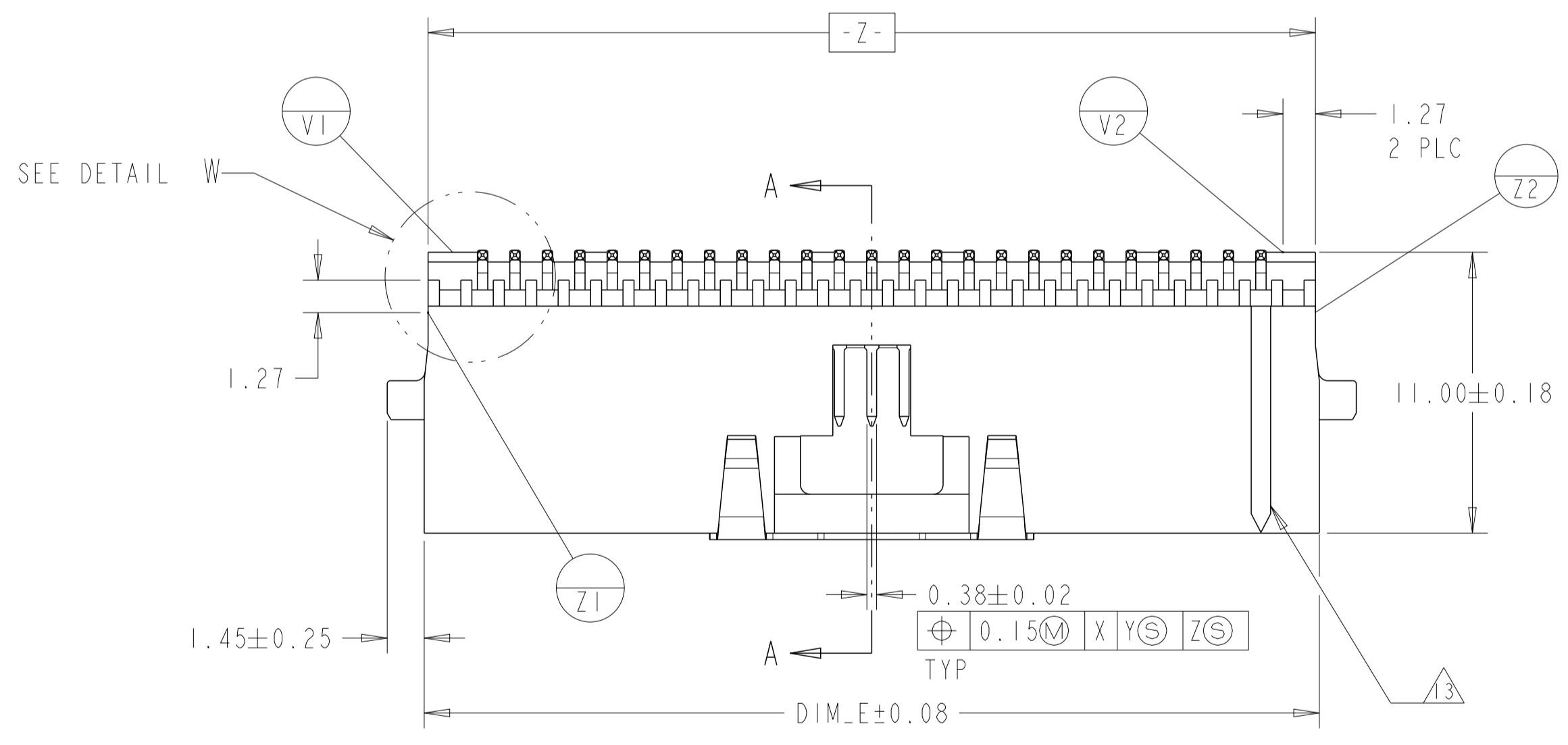


BASIC DIMENSIONS FOR EVEN NUMBER OF SPACES (SEE TABLE)  
BASIC DIMENSIONS FOR ODD NUMBER OF SPACES (SEE TABLE)

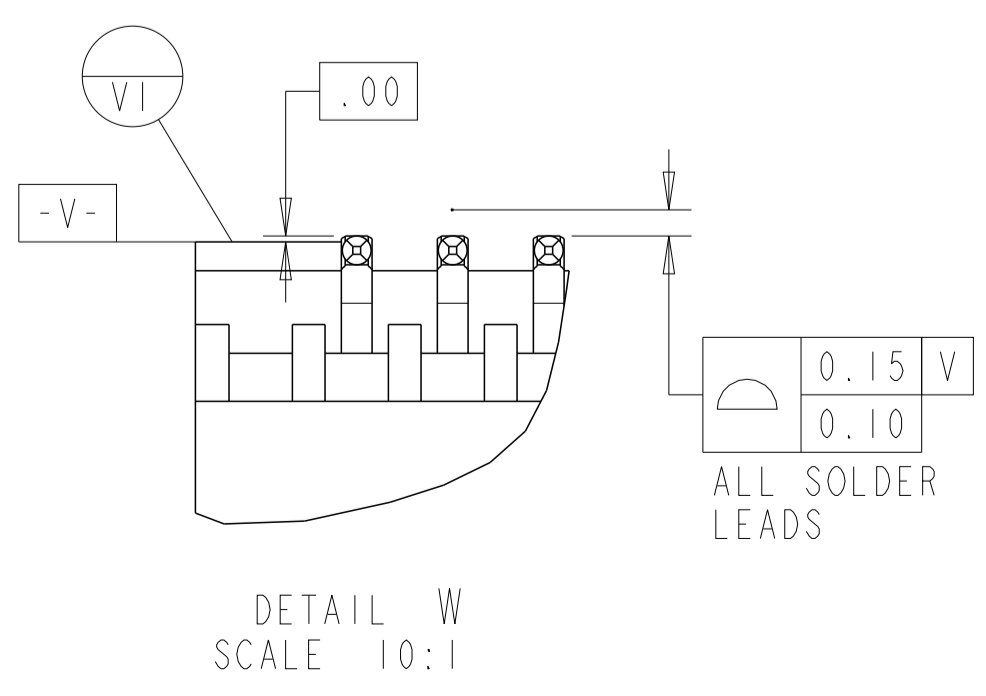
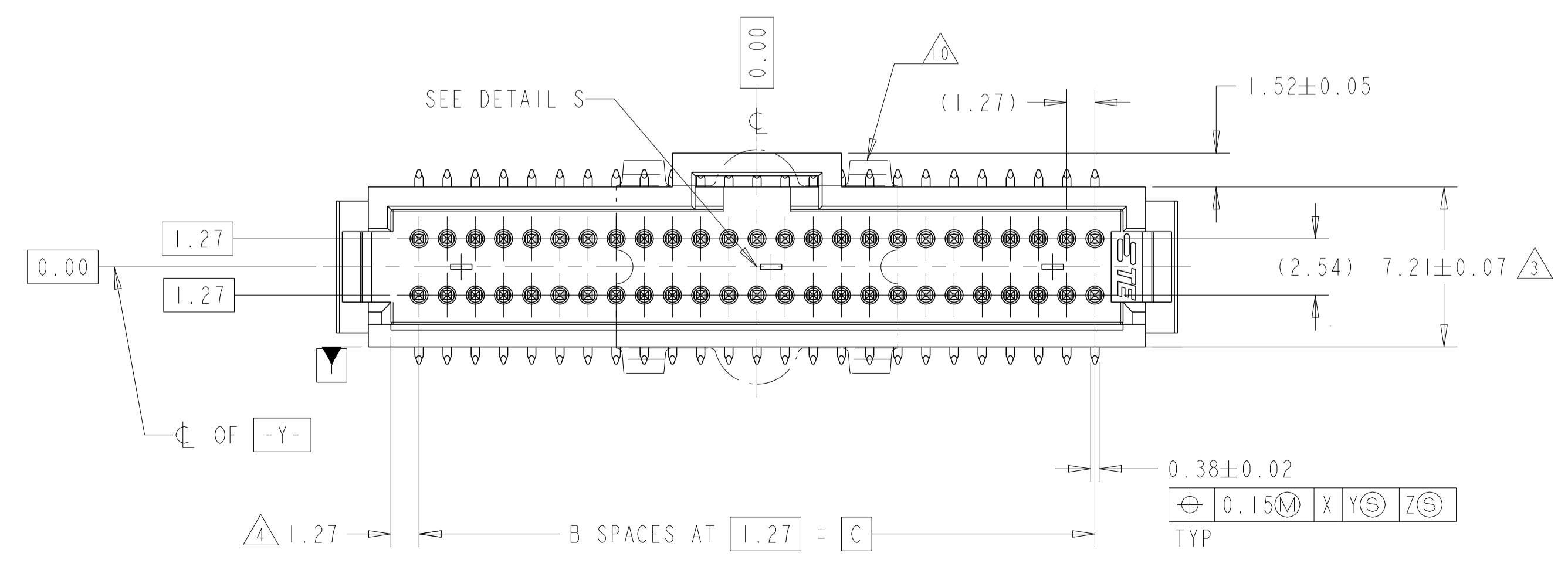
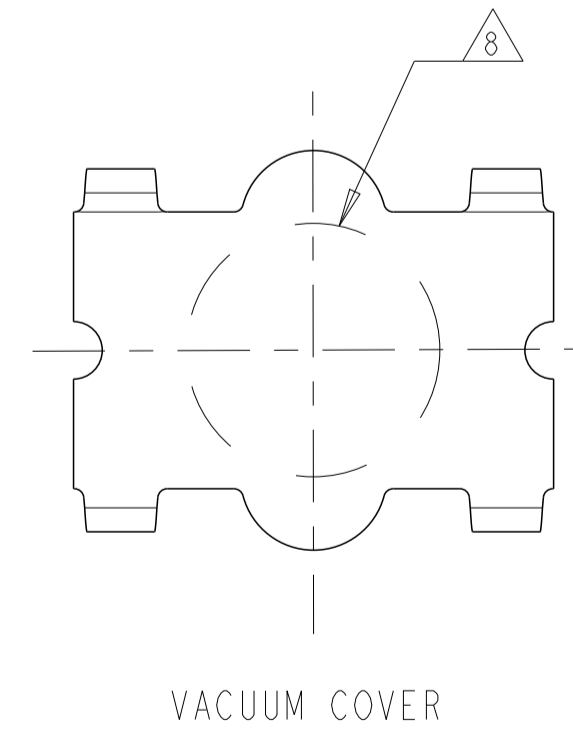
| REVISIONS |     |                                   |           |     |      |
|-----------|-----|-----------------------------------|-----------|-----|------|
| P         | LTN | DESCRIPTION                       | DATE      | OWN | APVD |
| H         |     | REDRAWN/REVISED PER ECO 17-001755 | 17MAY2017 | BDA | JO   |



RECOMMENDED BOARD LAYOUT



SECTION A-A



| FINISH | TAPE WIDTH | DIM_C | B SPACES | E     | NO OF POSN | PART NUMBER |            |
|--------|------------|-------|----------|-------|------------|-------------|------------|
| 15     | 56mm       | 26.67 | 21       | 31.24 | 44         | 8-147377-0  |            |
|        | 44mm       | 13.97 | 11       | 18.54 | 24         | 7-147377-9  |            |
|        | 88mm       | 62.23 | 49       | 66.80 | 100        | 7-147377-8  |            |
|        | 88mm       | 49.53 | 39       | 54.10 | 80         | 7-147377-7  |            |
|        | 72mm       | 36.83 | 29       | 41.40 | 60         | 7-147377-6  |            |
|        | 56mm       | 30.48 | 24       | 35.05 | 50         | 7-147377-5  |            |
|        | 56mm       | 24.13 | 19       | 28.70 | 40         | 7-147377-4  |            |
|        | 56mm       | 17.78 | 14       | 22.35 | 30         | 7-147377-3  |            |
|        | 44mm       | 11.43 | 9        | 16.00 | 20         | 7-147377-2  |            |
|        | 32mm       | 5.08  | 4        | -     | 10         | 7-147377-1  |            |
|        | 11         | 56mm  | 26.67    | 21    | 31.24      | 44          | 6-147377-0 |
|        |            | 44mm  | 13.97    | 11    | 18.54      | 24          | 5-147377-9 |
|        |            | 88mm  | 62.23    | 49    | 66.80      | 100         | 5-147377-8 |
|        |            | 88mm  | 49.53    | 39    | 54.10      | 80          | 5-147377-7 |
|        |            | 72mm  | 36.83    | 29    | 41.40      | 60          | 5-147377-6 |
|        |            | 56mm  | 30.48    | 24    | 35.05      | 50          | 5-147377-5 |
| 56mm   |            | 24.13 | 19       | 28.70 | 40         | 5-147377-4  |            |
| 56mm   |            | 17.78 | 14       | 22.35 | 30         | 5-147377-3  |            |
| 44mm   |            | 11.43 | 9        | 16.00 | 20         | 5-147377-2  |            |
| 32mm   |            | 5.08  | 4        | -     | 10         | 5-147377-1  |            |
| 14     |            | 56mm  | 26.67    | 21    | 31.24      | 44          | 3-147377-0 |
|        |            | 44mm  | 13.97    | 11    | 18.54      | 24          | 2-147377-9 |
|        |            | 88mm  | 62.23    | 49    | 66.80      | 100         | 2-147377-8 |
|        |            | 88mm  | 49.53    | 39    | 54.10      | 80          | 2-147377-7 |
|        |            | 72mm  | 36.83    | 29    | 41.40      | 60          | 2-147377-6 |
|        |            | 56mm  | 30.48    | 24    | 35.05      | 50          | 2-147377-5 |
|        | 56mm       | 24.13 | 19       | 28.70 | 40         | 2-147377-4  |            |
|        | 56mm       | 17.78 | 14       | 22.35 | 30         | 2-147377-3  |            |
|        | 44mm       | 11.43 | 9        | 16.00 | 20         | 2-147377-2  |            |
|        | 32mm       | 5.08  | 4        | -     | 10         | 2-147377-1  |            |
|        | 1          | 56mm  | 26.67    | 21    | 31.24      | 44          | 1-147377-0 |
|        |            | 44mm  | 13.97    | 11    | 18.54      | 24          | 147377-9   |
|        |            | 88mm  | 62.23    | 49    | 66.80      | 100         | 147377-8   |
|        |            | 88mm  | 49.53    | 39    | 54.10      | 80          | 147377-7   |
|        |            | 72mm  | 36.83    | 29    | 41.40      | 60          | 147377-6   |
|        |            | 56mm  | 30.48    | 24    | 35.05      | 50          | 147377-5   |
| 56mm   |            | 24.13 | 19       | 28.70 | 40         | 147377-4    |            |
| 56mm   |            | 17.78 | 14       | 22.35 | 30         | 147377-3    |            |
| 44mm   |            | 11.43 | 9        | 16.00 | 20         | 147377-2    |            |
| 32mm   |            | 5.08  | 4        | -     | 10         | 147377-1    |            |

THIS DRAWING IS A CONTROLLED DOCUMENT. DIMENSIONS: mm. TOLERANCES UNLESS OTHERWISE SPECIFIED: 0 PLC ±0.5, 1 PLC ±0.5, 2 PLC ±0.13, 3 PLC ±0.13, 4 PLC ±0.13, ANGLES ±0.13. MATERIAL: LCP. FINISH: SEE NOTES. WEIGHT: 114-25035. CUSTOMER DRAWING. SCALE: 5:1. SHEET 1 OF 1. REV H.

OWN: RAVI S. DATE: 17MAY2017. CHK: J. OLSON. DATE: 17MAY2017. APVD: J. OLSON. DATE: 17MAY2017. NAME: HEADER ASSEMBLY, VERTICAL, SHROUDED, DUAL ROW W/SIDE AND END LATCHES W/O HOLD DOWNS. SIZE: A1. CAGE CODE: 00779. DRAWING NO: 147377. RESTRICTED TO: -.

**STE** TE Connectivity

## X-ON Electronics

Largest Supplier of Electrical and Electronic Components

*Click to view similar products for [Board to Board & Mezzanine Connectors](#) category:*

*Click to view products by [TE Connectivity](#) manufacturer:*

Other Similar products are found below :

[589158040000018](#) [MDF7C-18P-2.54DSA\(55\)](#) [FCN-230C068-11](#) [FCN-268F012-G/BD](#) [FCN-268F036-G/BD](#) [FCN-268M012-G/0D](#) [FCN-268M024-G/1D](#) [FCN-723J004/1](#) [MIS-048-01-F-D-DP-K](#) [832-10-034-10-001000](#) [FX4C-80S-1.27DSA](#) [FCN-214Q030-G/0](#) [FCN-234P048-G/0](#) [FCN-235D050-G/C](#) [210-93-314-41-105000](#) [2-22603-0](#) [MDF7-40DP-2.54DSA\(55\)](#) [AXG720047](#) [5031084030](#) [MIT-114-03-F-D-K](#) [55323-1519](#) [DF33-2P-3.3DSA\(24\)](#) [YFT-20-05-H-03-SB-K](#) [503308-3040](#) [026-6203-PDB](#) [027-6203-PDB](#) [069159702701000](#) [10123981-102LF](#) [101A10019X](#) [55650-0588-C](#) [68682-310LF](#) [68684-306](#) [75140-7012](#) [87471-650](#) [194261-1](#) [FCN-268F024-G0D](#) [10124054-515LF](#) [68685-603](#) [8-1616154-3](#) [MIS-019-01-F-D](#) [FCN-268M024-G/3D](#) [20021832-06016C1LF](#) [KX15-20KLDL-E1000E](#) [MDF7-16DP-2.54DSA\(55\)](#) [AXE810124](#) [FCN-214J100-G/0](#) [FCN-230C068-E/S](#) [AXE812124](#) [AXE816124](#) [AXE720127](#)