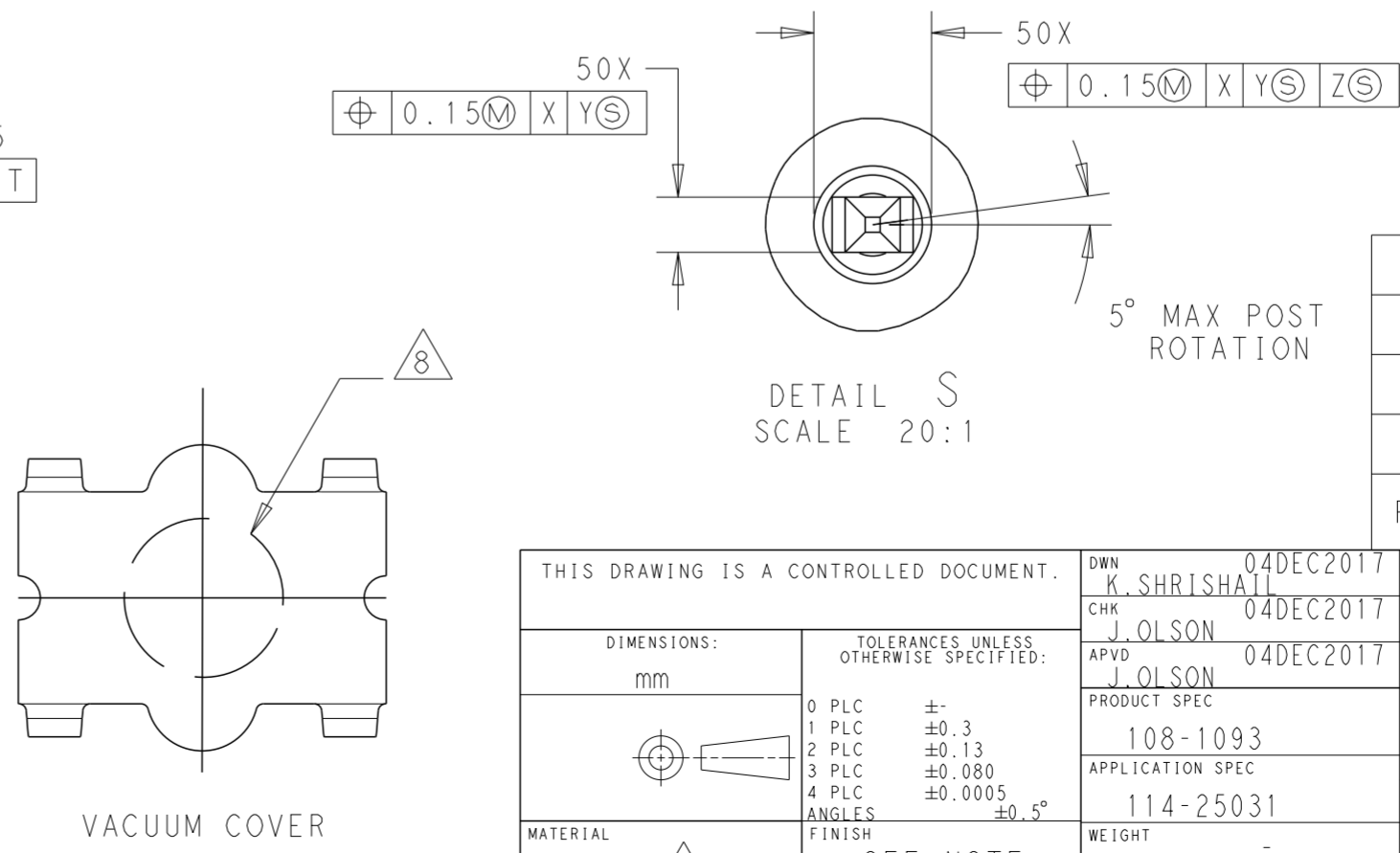
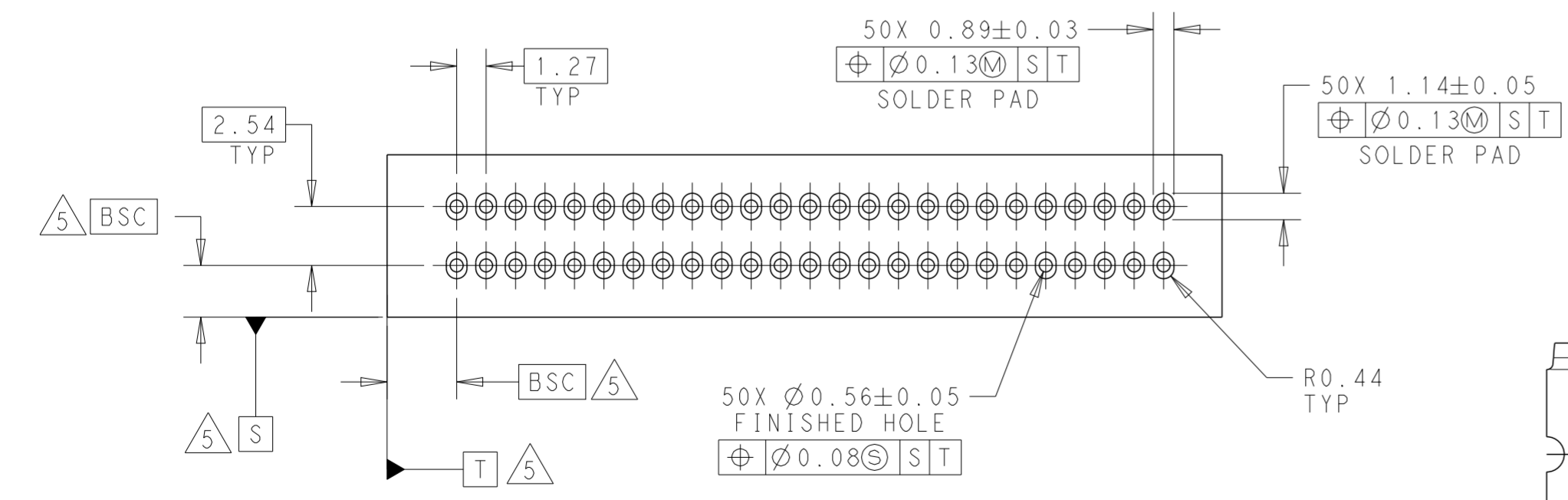
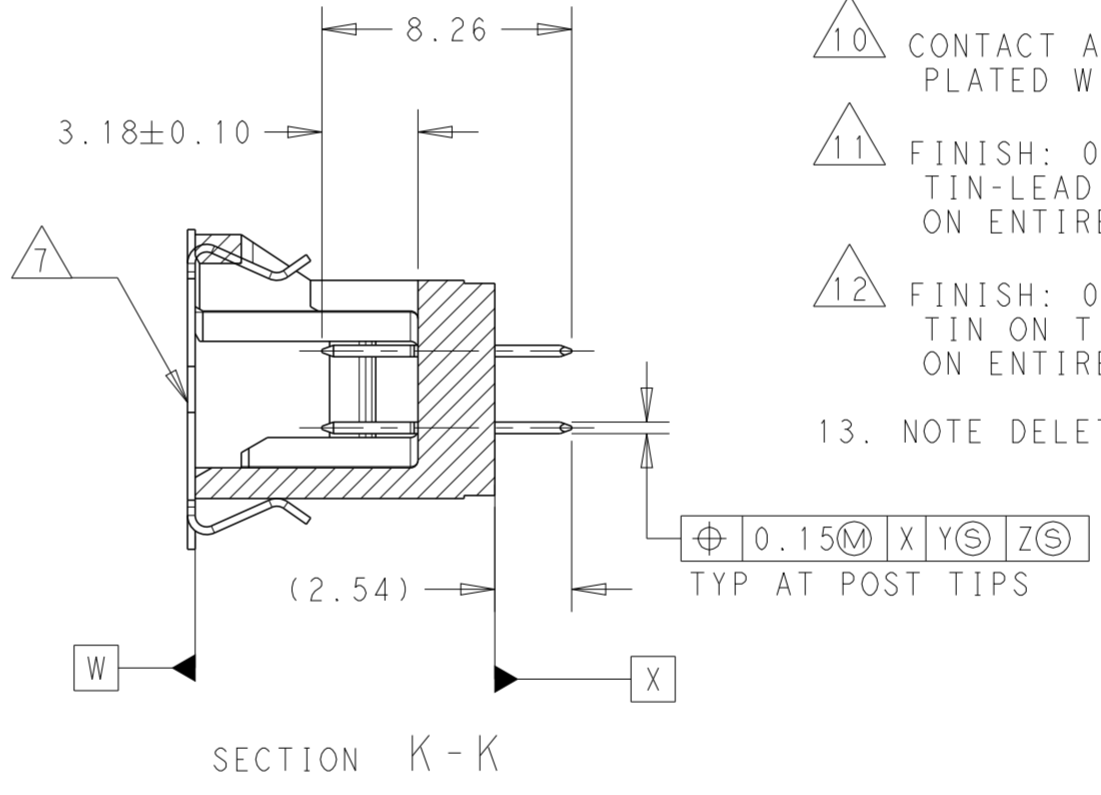
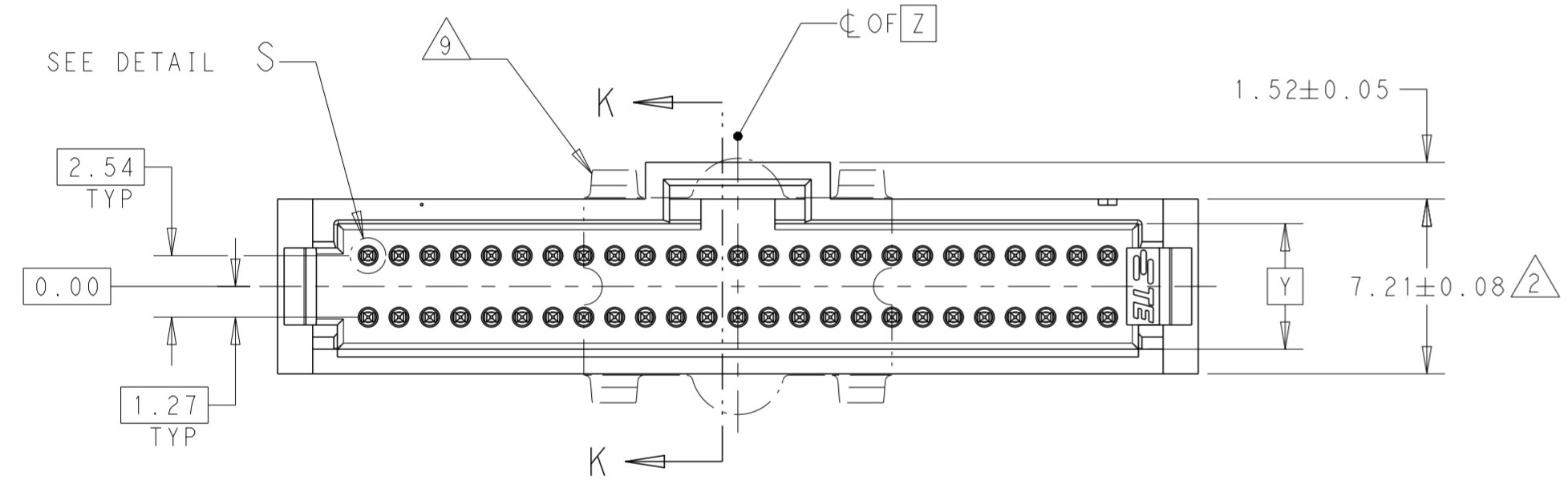
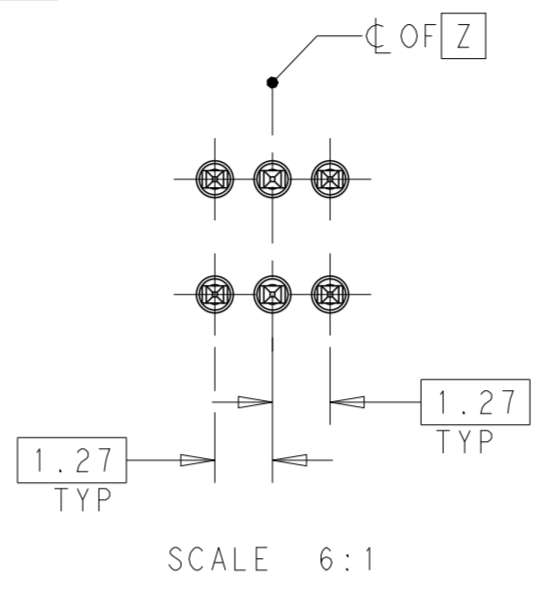
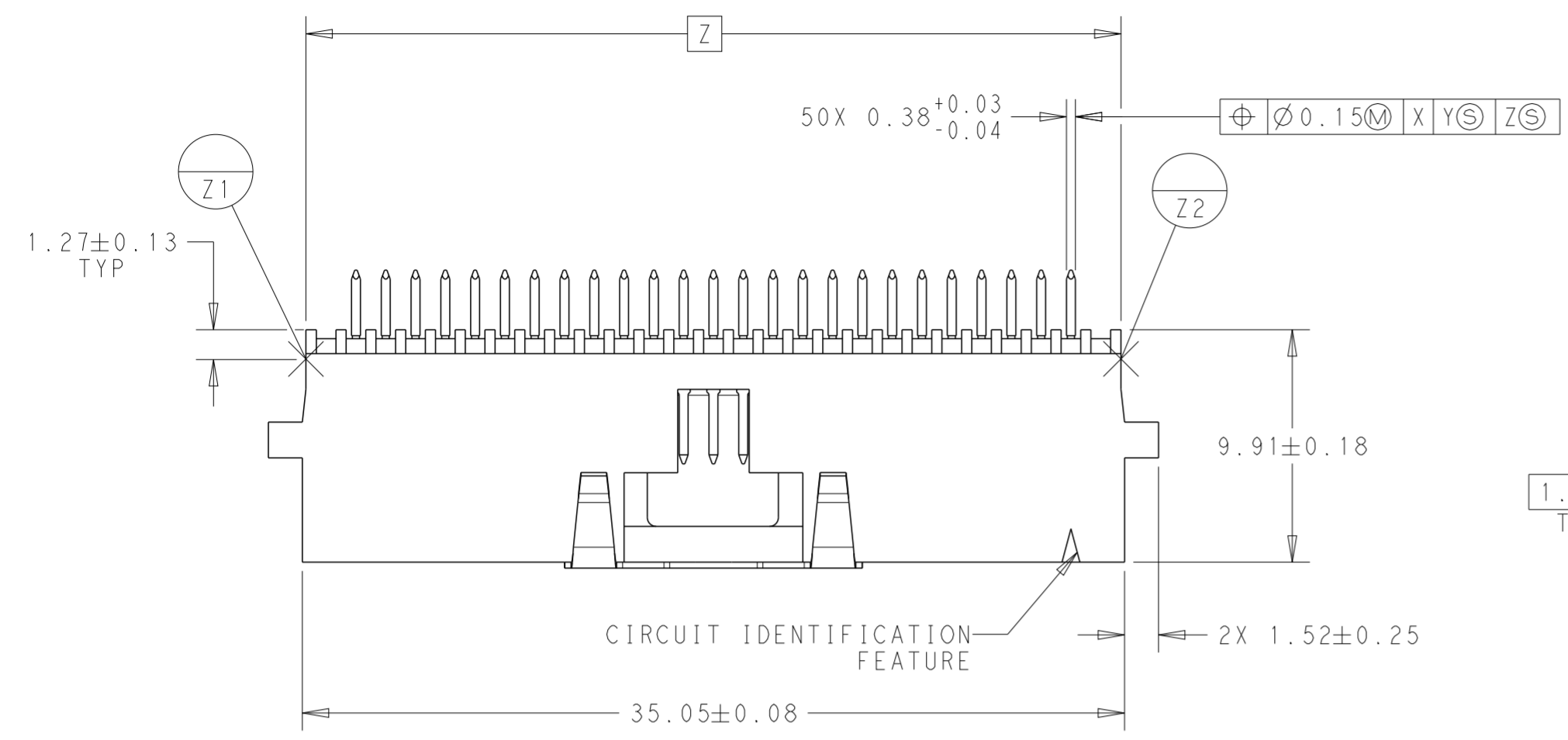


THIS DRAWING IS UNPUBLISHED. RELEASED FOR PUBLICATION 20
 © COPYRIGHT 20 BY - ALL RIGHTS RESERVED.

REVISIONS				
P	LTR	DESCRIPTION	DATE	APVD
	D	REDRAWN/REVISED PER ECO-17-001755	04DEC2017	KS JO



- 1 CONTACT AREAS PLATED WITH 0.76µm MIN GOLD; SOLDER TAILS PLATED WITH 3.81µm MIN TIN-LEAD, ALL OVER 1.27µm NICKE
- 2 DIMENSION APPLIES AT BASE OF SHROUD
- 3. NOTE DELETED.
- 4. PACKAGED IN TAPE & REEL PER EIA-481 SPECIFICATIONS. SEE CHART FOR TAPE WIDTHS.
- 5 DATUMS AND BASIC DIMENSIONS ESTABLISHED BY CUSTOMER.
- 6 HOUSING:LCP, COLOR-BLACK. POST: COPPER ALLOY. VACUUM COVER: ALUMINUM.
- 7 VACUUM COVER DESIGNED FOR 4 DIA. NOZZLE. VACUUM COVER TO BE REMOVED AFTER SOLDERING.
- 8 6.75 MIN TARGET AREA FOR VACUUM PICK-UP.
- 9 VACUUM COVER SHOWN IN PHANTOM LINE.
- 10 CONTACT AREAS PLATED WITH 0.76µm MIN GOLD; SOLDER TAILS PLATED WITH 3.81µm MIN TIN, ALL OVER 1.27µm NICKE
- 11 FINISH: 0.03µm MIN GOLD ON GOLD PLATED AREA, 3.81µm MATTE TIN-LEAD ON TIN PLATED AREA. UNDER PLATING TO BE 1.27µm NICKEL ON ENTIRE CONTACT. GOLD AND TIN PLATING MAY NOT OVERLAP.
- 12 FINISH: 0.03µm MIN GOLD ON GOLD PLATED AREA, 3.81µm MATTE TIN ON TIN PLATED AREA. UNDER PLATING TO BE 1.27µm NICKEL ON ENTIRE CONTACT. GOLD AND TIN PLATING MAY NOT OVERLAP.
- 13. NOTE DELETED.

FINISH	TAPE WIDTH	NO OF POSN	PART NUMBER
12	72	50	7-147380-1
10	72	50	5-147380-1
11	72	50	2-147380-1
1	72	50	147380-2

THIS DRAWING IS A CONTROLLED DOCUMENT.

DIMENSIONS: mm	TOLERANCES UNLESS OTHERWISE SPECIFIED:	DWN K. SHRISHALL 04DEC2017	CHK J. OLSON 04DEC2017	APVD J. OLSON 04DEC2017
0 PLC ±	1 PLC ±0.3	PRODUCT SPEC	108-1093	NAME
2 PLC ±0.13	3 PLC ±0.080	APPLICATION SPEC	114-25031	SIZE
4 PLC ±0.0005	ANGLES ±0.5°	WEIGHT	-	CAGE CODE
MATERIAL	FINISH SEE NOTE	CUSTOMER DRAWING	SCALE 4:1	DRAWING NO

TE Connectivity
 HEADER ASSEMBLY, VERTICAL, DUAL ROW, System 50, AMPMODU
 A200779 C-147380
 SHEET 1 OF 1 REV D

X-ON Electronics

Largest Supplier of Electrical and Electronic Components

Click to view similar products for [Board to Board & Mezzanine Connectors](#) category:

Click to view products by [TE Connectivity](#) manufacturer:

Other Similar products are found below :

[589158040000018](#) [MDF7C-18P-2.54DSA\(55\)](#) [FCN-230C068-11](#) [FCN-268F012-G/BD](#) [FCN-268F036-G/BD](#) [FCN-268M012-G/0D](#) [FCN-268M024-G/1D](#) [FCN-723J004/1](#) [MIS-048-01-F-D-DP-K](#) [832-10-034-10-001000](#) [FX4C-80S-1.27DSA](#) [FCN-214Q030-G/0](#) [FCN-234P048-G/0](#) [FCN-235D050-G/C](#) [210-93-314-41-105000](#) [2-22603-0](#) [MDF7-40DP-2.54DSA\(55\)](#) [AXG720047](#) [5031084030](#) [MIT-114-03-F-D-K](#) [55323-1519](#) [DF33-2P-3.3DSA\(24\)](#) [YFT-20-05-H-03-SB-K](#) [503308-3040](#) [026-6203-PDB](#) [027-6203-PDB](#) [069159702701000](#) [10123981-102LF](#) [101A10019X](#) [55650-0588-C](#) [68682-310LF](#) [68684-306](#) [75140-7012](#) [87471-650](#) [194261-1](#) [FCN-268F024-G0D](#) [10124054-515LF](#) [68685-603](#) [8-1616154-3](#) [MIS-019-01-F-D](#) [FCN-268M024-G/3D](#) [20021832-06016C1LF](#) [KX15-20KLDL-E1000E](#) [MDF7-16DP-2.54DSA\(55\)](#) [AXE810124](#) [FCN-214J100-G/0](#) [FCN-230C068-E/S](#) [AXE812124](#) [AXE816124](#) [AXE720127](#)