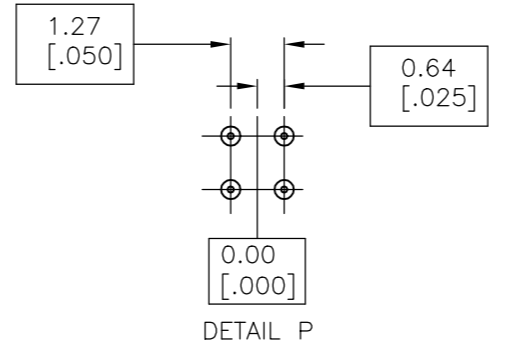
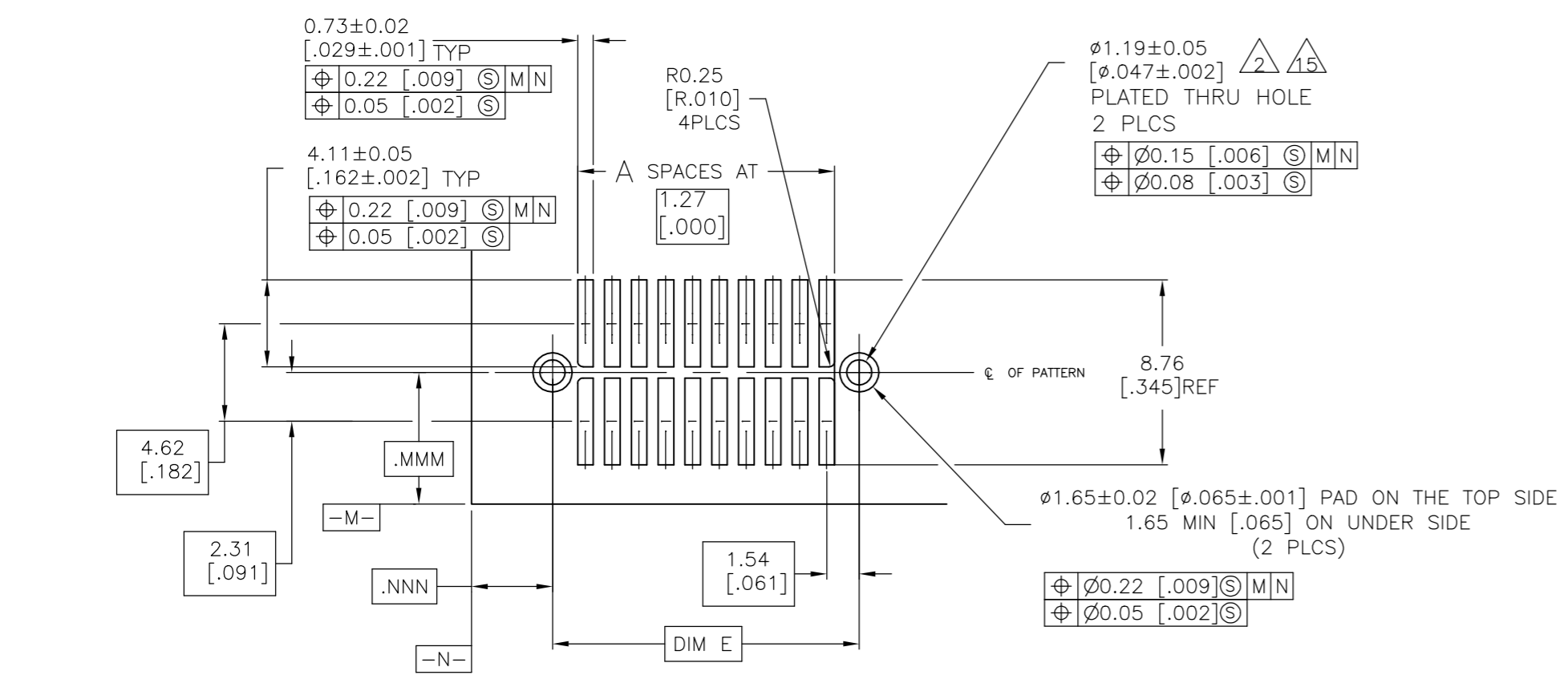
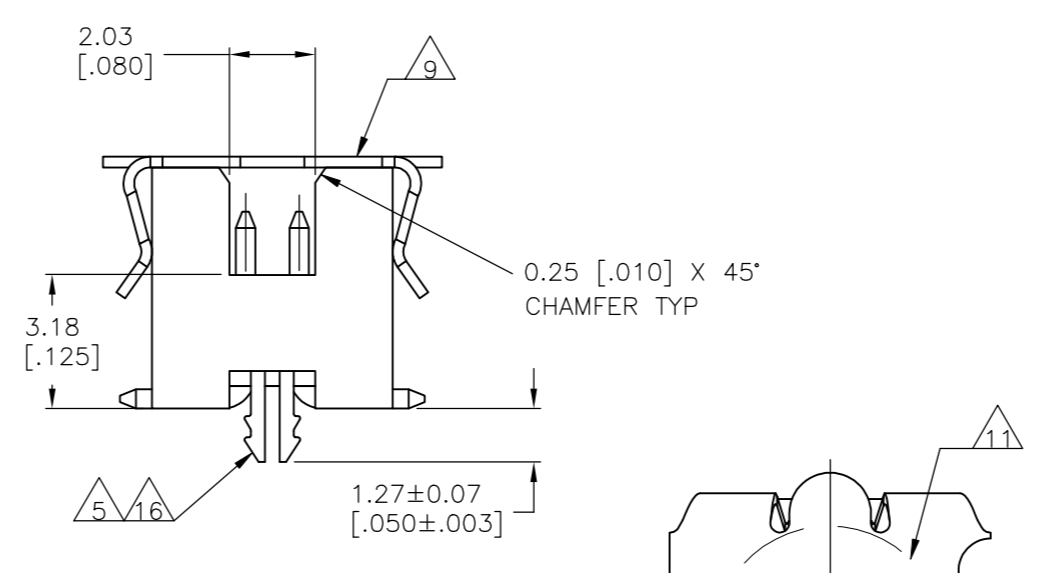
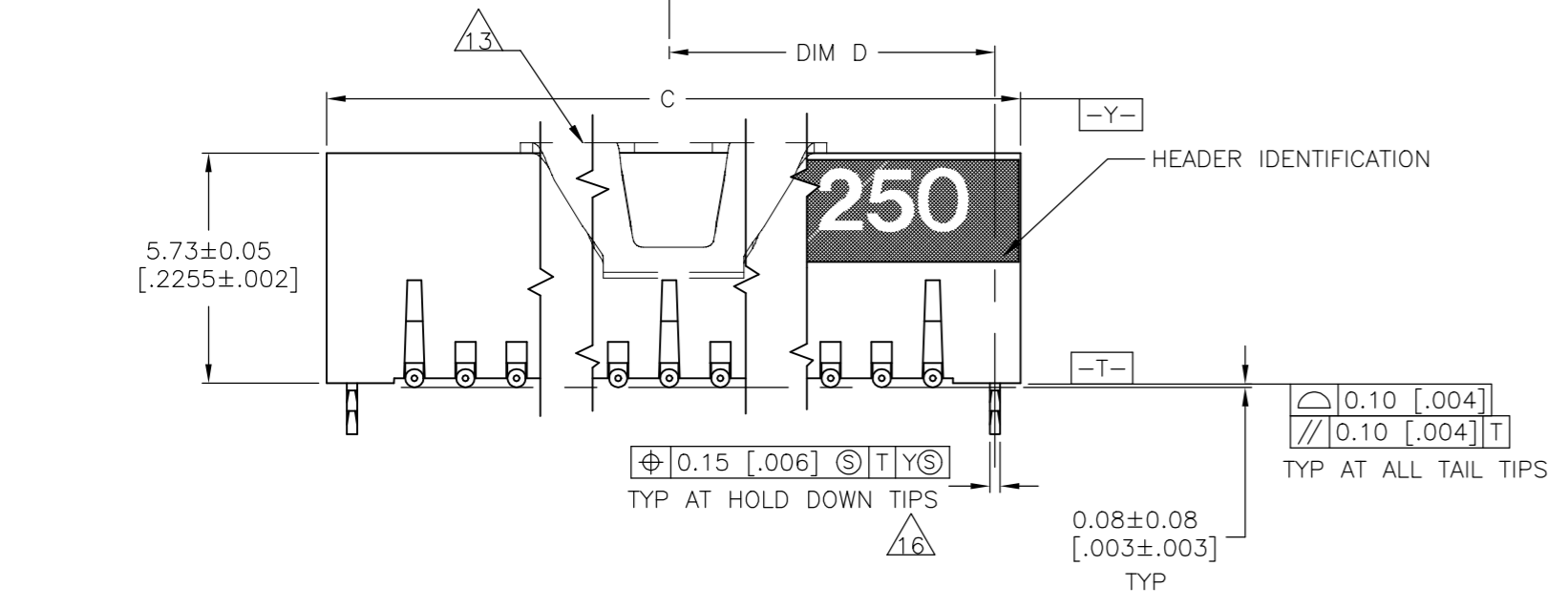
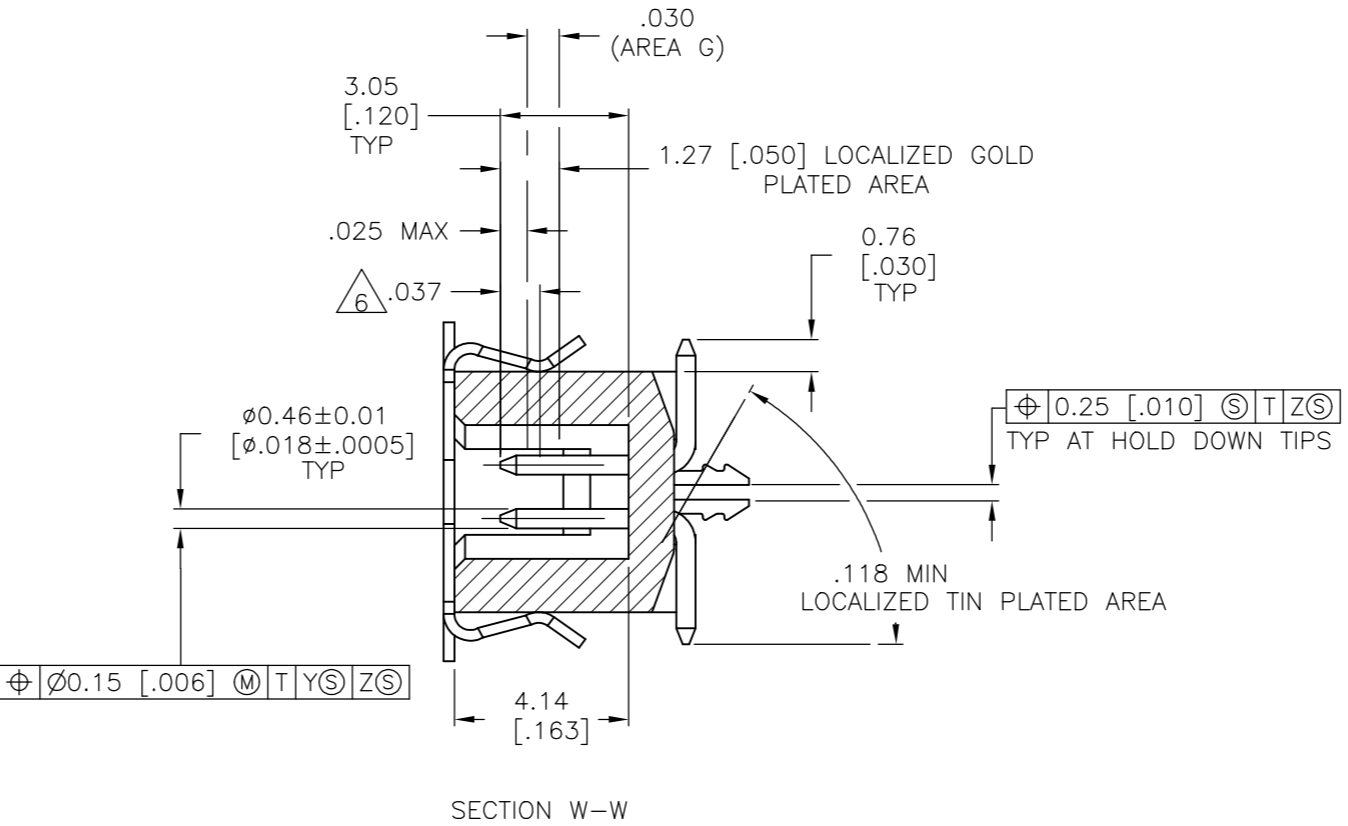
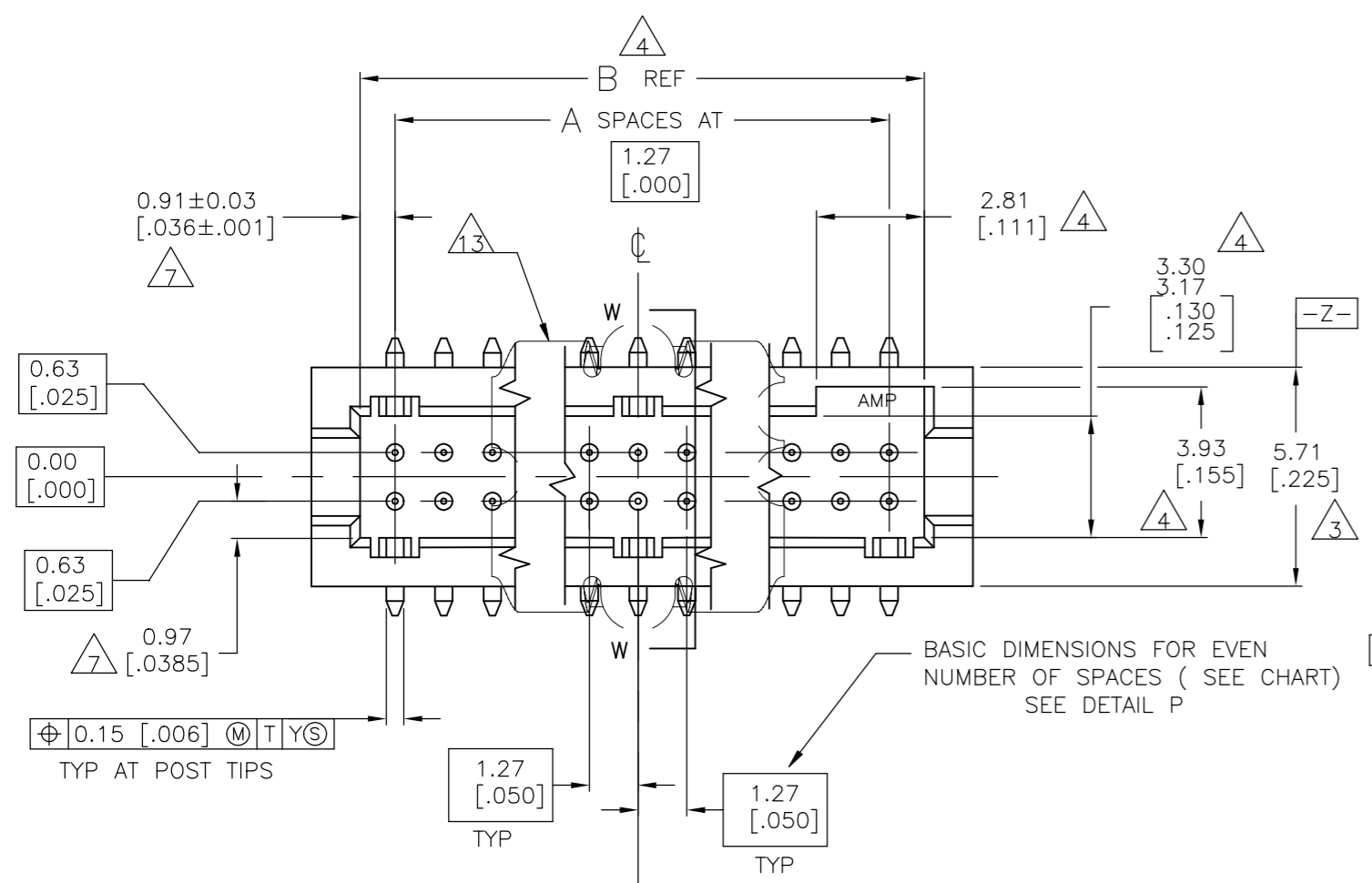
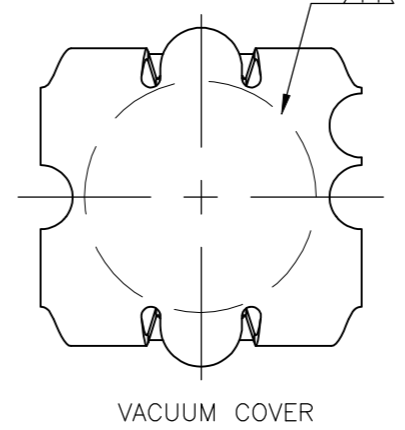


REVISIONS					
P	LTR	DESCRIPTION	DATE	DWN	APVD
C2		REVISED PER ECO-09-021826	07JAN10	KK	AEG
C3		REVISED PER ECO-17-009871	07JUL2017	RS	JO
D		REVISED PER ECO-17-016552	21NOV2017	RS	JO
D1		REVISED PER ECO-17-017496	01DEC2017	RS	JO



BASIC DIMENSIONS FOR ODD NUMBER OF SPACES

1. 0.00076[.000030] GOLD AT POINT OF MEASUREMENT, 0.00051[.000020] MIN AT THE END POINTS OF AREA G, (LOCALIZED PLATE AREA), 0.0038[.000150] TIN-LEAD ON LOCALIZED TIN-LEAD PLATED AREA, ALL OVER 0.0013[.000050] NICKEL
2. USE 1.55±0.02 [.0610±.0010] DRILLED HOLE (1.55mm DRILL). FINISH TO BE TIN-LEAD OVER 0.02 [.001] MIN COPPER.
3. DIMENSION APPLIES AT BASE OF SHROUD.
4. THE NOTED DIMENSIONS APPLY AT THE MATING FACE OF THE HOUSING.
5. 0.0038 [.000150] TIN-LEAD ON HOLD DOWN, ALL OVER 0.0013 [.000050] NICKEL.
6. POINT OF MEASUREMENT.
7. DIMENSIONS NOTED APPLY FROM THE BASIC DIMENSION LINE (NOT THE CIRCUIT CAVITY CENTER LINE) TO THE SURFACE INDICATED.
8. IF PLANNING TO USE MORE THAN ONE MATING PAIR OF CONNECTORS TO INTERCONNECT 2 BOARDS, PLEASE REFER TO PARA. 3.3 IN THE APPLICATION SPEC, #114-7010
9. VACUUM COVER DESIGNED FOR 4.0 [.160] DIA NOZZLE. VACUUM COVER TO BE REMOVED AFTER SOLDERING.
10. PACKAGED IN EIA 481 TAPE AND REEL. SEE TABLE FOR TAPE WIDTHS.
11. 5.5 [.216] MIN TARGET AREA FOR VACUUM PICK-UP.
12. HOUSING: LCP, COLOR-BLACK. POST: PHOSPHOR BRONZE. VACUUM COVER: ALUMINUM.
13. VACUUM COVER SHOWN IN PHANTOM LINE.
14. 0.00076[.000030] GOLD AT POINT OF MEASUREMENT, 0.00051[.000020] MIN AT THE END POINTS OF AREA G, LOCALIZED PLATE AREA, 0.0038[.000150] TIN ON LOCALIZED TIN PLATED AREA, ALL OVER 0.00127[.000050] NICKEL
15. USE 1.55±0.02 [.0610±.0010] DRILLED HOLE (1.55mm DRILL). WITH 0.02 (.001) MIN COPPER.
16. 0.00381 (.000150) TIN ON HOLDDOWN, ALL OVER 0.00127 (.000050) NICKEL.
17. OBSOLETE PARTS: OBSOLETE CIS STREAMLINING PER D.RENAUD/D.SINISI



FINISH	TAPE WIDTH	E	D	C	B	A	NUMBER OF POSITIONS	PART NUMBER	
OBSOLETE	OBSOLETE	88 mm	65.33 [2.572]	32.66 [1.286]	66.59 [2.622]	64.05 [2.522]	49	100	5-147381-9
		72 mm	52.63 [2.072]	26.31 [1.036]	53.89 [2.122]	51.35 [2.022]	39	80	5-147381-8
		72 mm	46.28 [1.822]	23.13 [0.911]	47.54 [1.872]	45.00 [1.772]	34	70	5-147381-7
		56 mm	39.93 [1.572]	19.96 [0.786]	41.19 [1.622]	38.65 [1.522]	29	60	5-147381-6
		56 mm	33.58 [1.322]	16.78 [0.661]	34.84 [1.372]	32.30 [1.272]	24	50	5-147381-5
		44 mm	27.23 [1.072]	13.61 [0.536]	28.49 [1.122]	25.95 [1.022]	19	40	5-147381-4
		32 mm	20.88 [0.822]	10.43 [0.411]	22.14 [0.872]	19.60 [0.772]	14	30	5-147381-3
		24 mm	14.53 [0.572]	7.26 [0.286]	15.79 [0.622]	13.25 [0.522]	9	20	5-147381-2
		24 mm	8.18 [0.322]	4.08 [0.161]	9.44 [0.372]	6.90 [0.272]	4	10	5-147381-1
		OBSOLETE	OBSOLETE	88 mm	65.33 [2.572]	32.66 [1.286]	66.59 [2.622]	64.05 [2.522]	49
72 mm	52.63 [2.072]			26.31 [1.036]	53.89 [2.122]	51.35 [2.022]	39	80	147381-8
72 mm	46.28 [1.822]			23.13 [0.911]	47.54 [1.872]	45.00 [1.772]	34	70	147381-7
56 mm	39.93 [1.572]			19.96 [0.786]	41.19 [1.622]	38.65 [1.522]	29	60	147381-6
56 mm	33.58 [1.322]			16.78 [0.661]	34.84 [1.372]	32.30 [1.272]	24	50	147381-5
44 mm	27.23 [1.072]			13.61 [0.536]	28.49 [1.122]	25.95 [1.022]	19	40	147381-4
32 mm	20.88 [0.822]			10.43 [0.411]	22.14 [0.872]	19.60 [0.772]	14	30	147381-3
24 mm	14.53 [0.572]			7.26 [0.286]	15.79 [0.622]	13.25 [0.522]	9	20	147381-2
24 mm	8.18 [0.322]			4.08 [0.161]	9.44 [0.372]	6.90 [0.272]	4	10	147381-1
OBSOLETE	OBSOLETE			88 mm	65.33 [2.572]	32.66 [1.286]	66.59 [2.622]	64.05 [2.522]	49
		72 mm	52.63 [2.072]	26.31 [1.036]	53.89 [2.122]	51.35 [2.022]	39	80	147381-8
		72 mm	46.28 [1.822]	23.13 [0.911]	47.54 [1.872]	45.00 [1.772]	34	70	147381-7
		56 mm	39.93 [1.572]	19.96 [0.786]	41.19 [1.622]	38.65 [1.522]	29	60	147381-6
		56 mm	33.58 [1.322]	16.78 [0.661]	34.84 [1.372]	32.30 [1.272]	24	50	147381-5
		44 mm	27.23 [1.072]	13.61 [0.536]	28.49 [1.122]	25.95 [1.022]	19	40	147381-4
		32 mm	20.88 [0.822]	10.43 [0.411]	22.14 [0.872]	19.60 [0.772]	14	30	147381-3
		24 mm	14.53 [0.572]	7.26 [0.286]	15.79 [0.622]	13.25 [0.522]	9	20	147381-2
		24 mm	8.18 [0.322]	4.08 [0.161]	9.44 [0.372]	6.90 [0.272]	4	10	147381-1

THIS DRAWING IS A CONTROLLED DOCUMENT. DIM: B HAYMAKER 28JAN00. CHK: J. MOSIER 28JAN00. APVD: J. MOSIER 28JAN00. NAME: TE Connectivity. DIMENSIONS: mm [INCHES]. TOLERANCES UNLESS OTHERWISE SPECIFIED: 0 PLC ± .01, 1 PLC ± .01, 2 PLC ± .01, 3 PLC ± .01, 4 PLC ± .01. MATERIAL: SEE TABLE. FINISH: SEE TABLE. WEIGHT: -. CUSTOMER DRAWING. SCALE: 8:1. SHEET: 1 OF 1. REV: D1.

X-ON Electronics

Largest Supplier of Electrical and Electronic Components

Click to view similar products for [Headers & Wire Housings](#) category:

Click to view products by [TE Connectivity](#) manufacturer:

Other Similar products are found below :

[892-18-020-10-001101](#) [58102-G61-06LF](#) [582553-1](#) [0009485154](#) [009176003701906](#) [0050291907](#) [LY20-4P-DT1-P1E-BR](#) [02.125.8002.8](#)
[609-3404](#) [61062-3](#) [61082-181009](#) [622-3653LF](#) [63453-116](#) [636-1030](#) [636-1427](#) [636-3427](#) [636-4007](#) [641938-9](#) [641991-4](#) [644827-2](#) [65817-](#)
[010LF](#) [65817-015LF](#) [65863-015LF](#) [66207-023LF](#) [67095-007LF](#) [67601157](#) [68645-018](#) [68648-049](#) [70.362.1628.0](#) [70-4210](#) [70-4226B](#) [70-](#)
[4853B](#) [707-5020](#) [707-5028](#) [71.350.2428.0](#) [71918-208LF](#) [71961-016LF](#) [733-134](#) [733-162](#) [754199-000](#) [760-3052](#) [787-8014-00](#) [79531-3000](#)
[FCN-360C032-B](#) [FCN-367T-T012/H](#) [FCN-723D010/2](#) [80.063.4001.1](#) [800-90-001-10-001000](#) [800-90-010-10-002000](#) [801-43-002-10-013000](#)