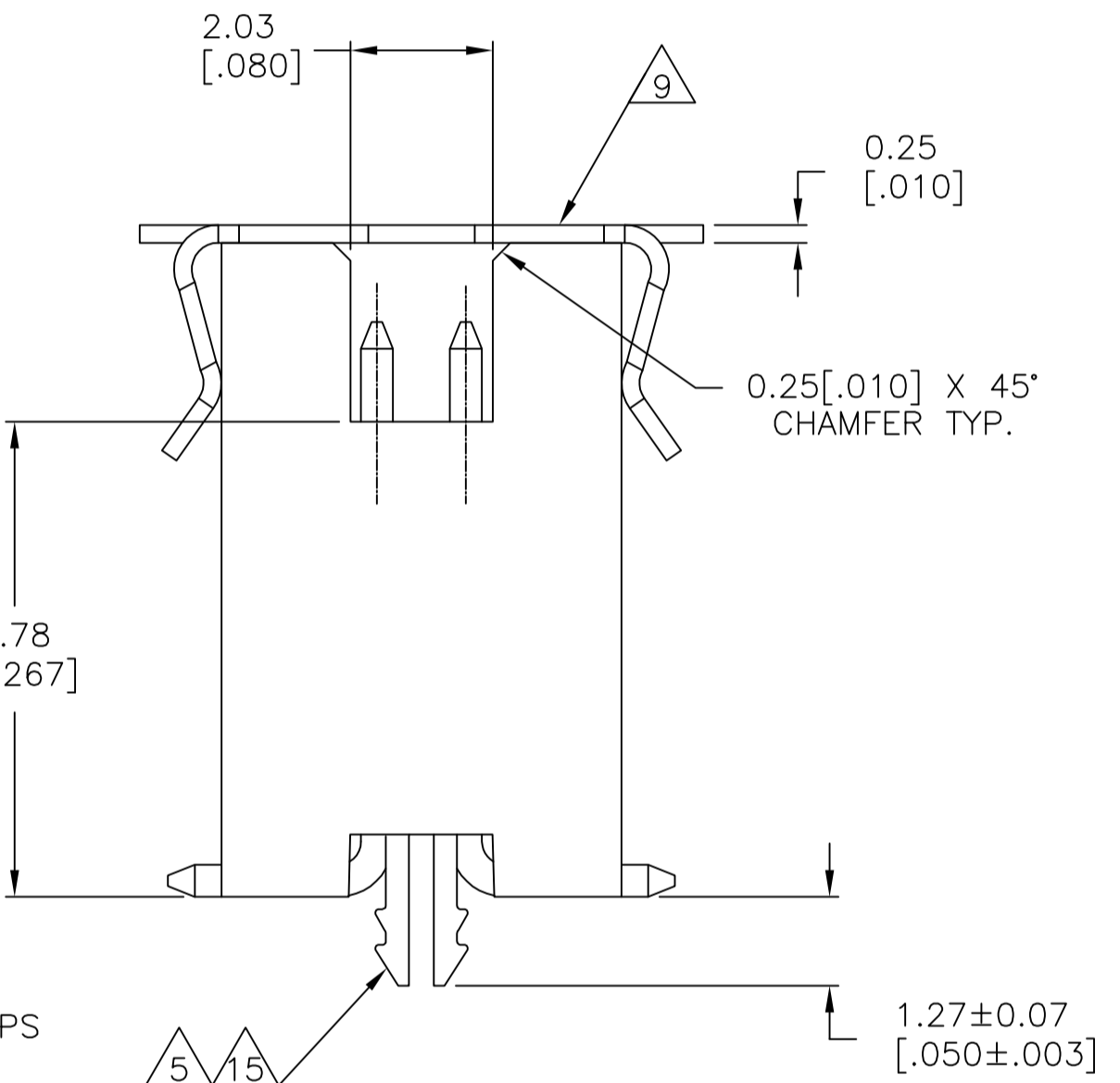
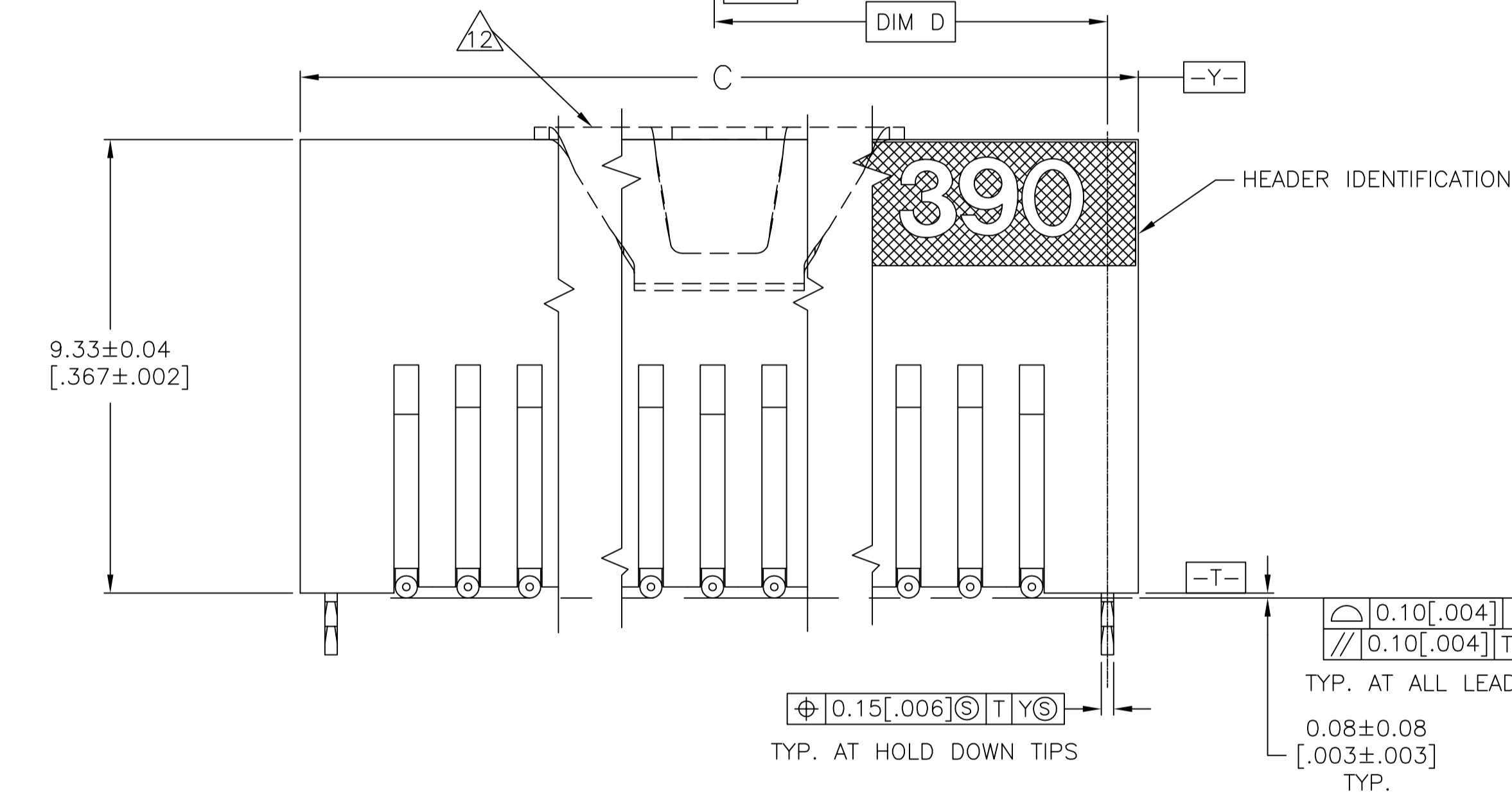
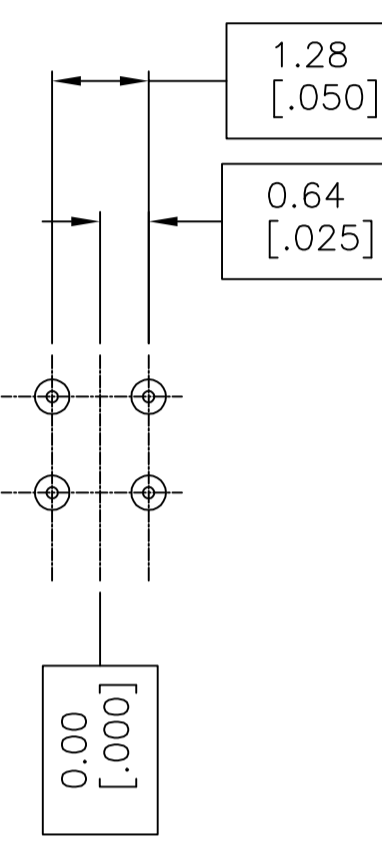
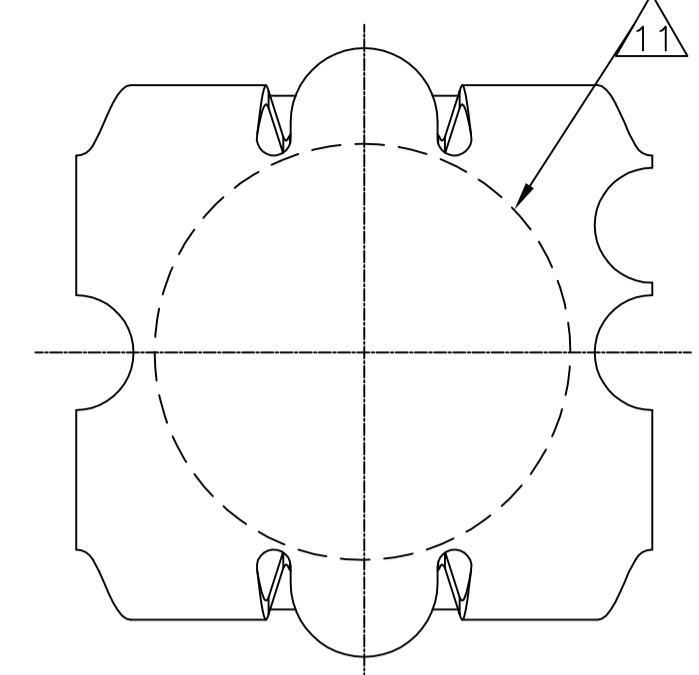
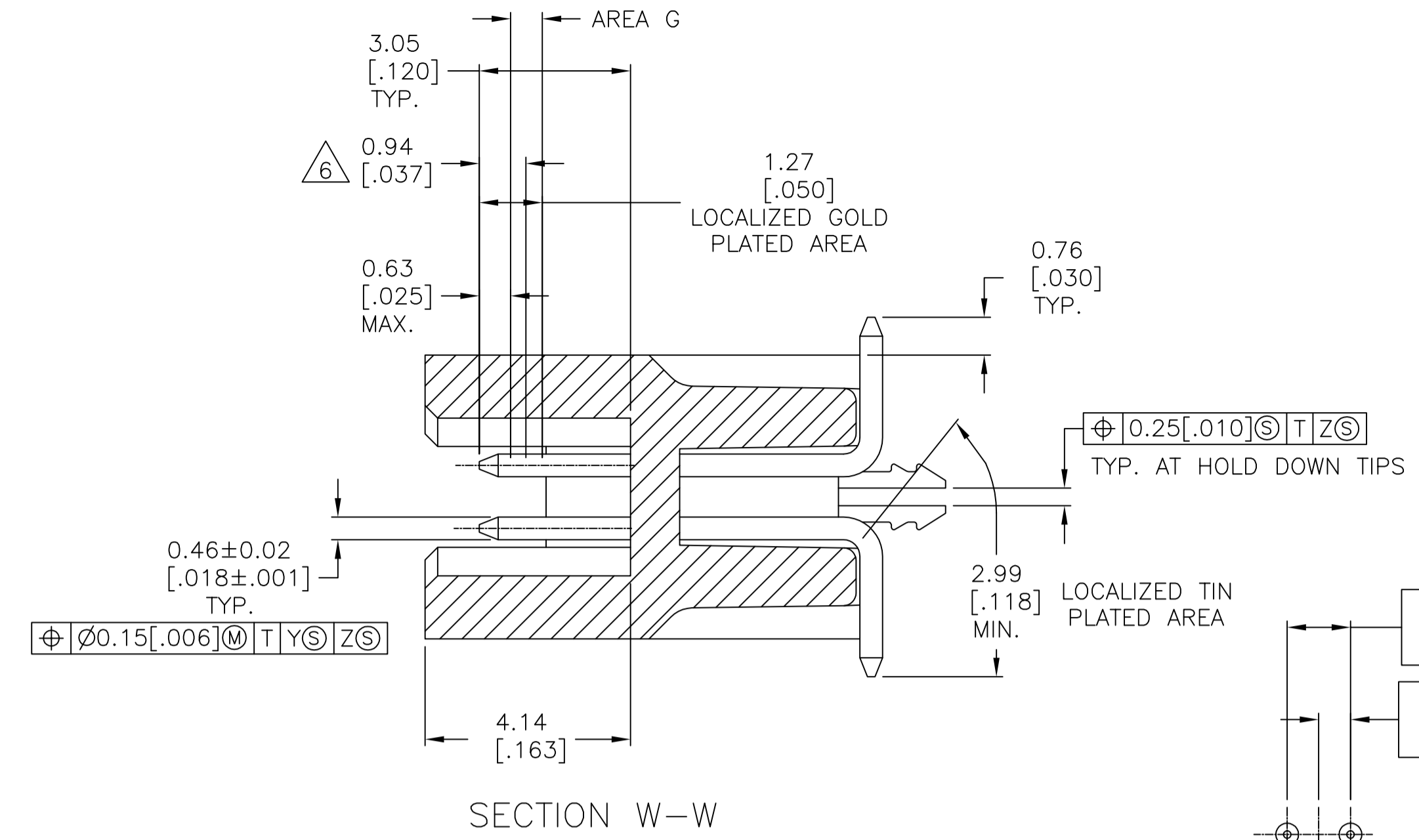
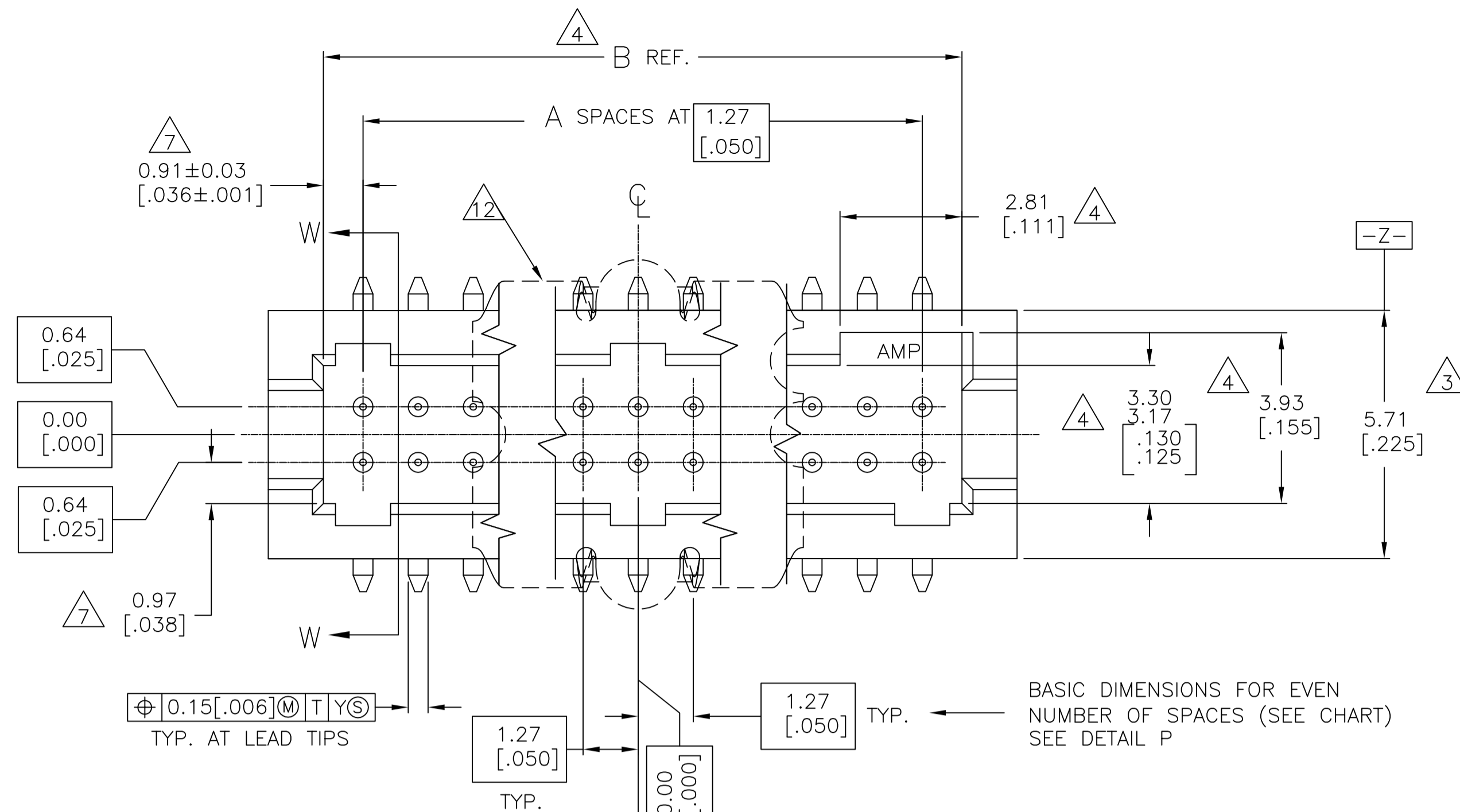


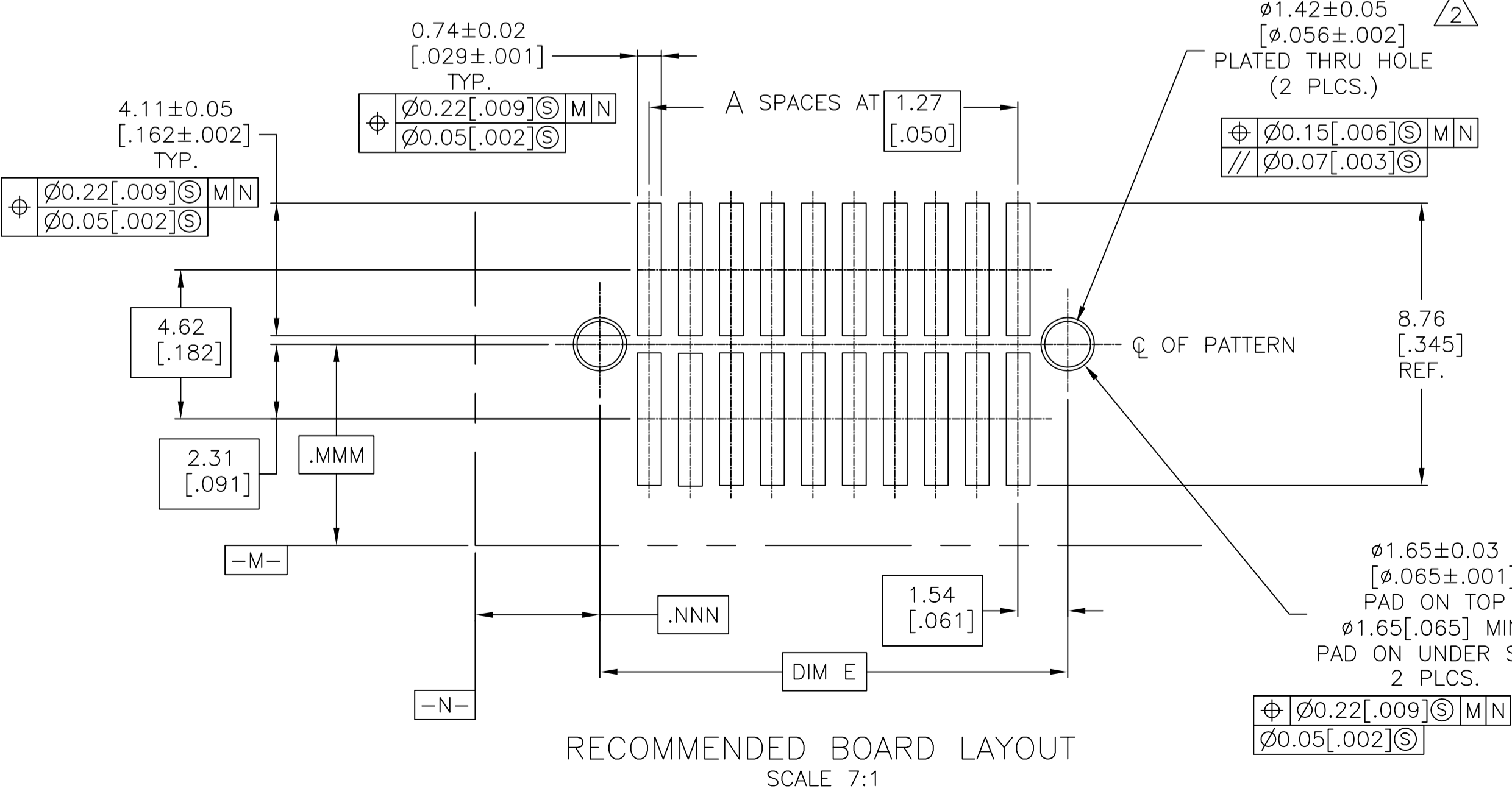
REVISIONS					
P	LTR	DESCRIPTION	DATE	OWN	APVD
C3		REVISED PER ECO-12-002054	06FEB12	KH	JO
D		REVISED PER ECO-17-016552	17NOV2017	RS	JO



OBsolete PARTS: OBSOLETE CIS STREAMLINING PER D.RENAUD/D.SINISI

- 1 0.00076[.000030] GOLD AT POINT OF MEASUREMENT, 0.00051[.000020] MIN AT THE END POINTS OF AREA G, (LOCALIZED GOLD PLATE AREA), 0.0038[.000150] TIN-LEAD ON LOCALIZED TIN PLATED AREA, ALL OVER 0.0013[.000050] NICKEL
- 2 USE 1.55±0.02[.0610±.0010] DRILLED HOLE (1.5MM DRILL). FINISH TO BE TIN PLATE OVER 0.02[.001] MIN COPPER.
- 3 DIMENSION APPLIES AT BASE OF SHROUD.
- 4 THE NOTED DIMENSIONS APPLY AT THE MATING FACE OF THE HOUSING.
- 5 0.0038 [.000150] TIN-LEAD ON HOLD DOWN, ALL OVER 0.0013 [.000050] NICKEL.
- 6 POINT OF MEASUREMENT
- 7 DIMENSIONS NOTED APPLY FROM THE BASIC DIMENSION LINE (NOT THE CIRCUIT CAVITY CENTER LINE) TO THE SURFACE INDICATED.
- 8 IF PLANNING TO USE MORE THAN ONE MATING PAIR OF CONNECTORS TO INTERCONNECT 2 BOARDS, PLEASE REFER TO "SPACING" PARAGRAPH IN APPLICATION SPECIFICATION #114-7010
- 9 VACUUM COVER DESIGNED FOR 4.0 [.160] DIA. NOZZLE. VACUUM COVER TO BE REMOVED AFTER SOLDERING.
- 10 PACKAGED IN EIA-481 TAPE & REEL. SEE TABLE FOR DETAILS.
- 11 5.5 [.216] MIN TARGET AREA FOR VACUUM PICK-UP.
- 12 VACUUM COVER SHOWN IN PHANTOM LINE.
- 13 HOUSING: LCP, COLOR-BLACK. POST: PHOSPHOR BRONZE. HOLD DOWN: COPPER ALLOY VACUUM COVER: ALUMINUM.
- 14 0.00076[.000030] GOLD AT POINT OF MEASUREMENT, 0.00051[.000020] MIN AT THE END POINTS OF AREA G, (LOCALIZED GOLD PLATE AREA), 0.0038[.000150] TIN ON LOCALIZED TIN PLATED AREA, ALL OVER 0.0013[.000050] NICKEL
- 15 0.0038 [.000150] TIN ON HOLD DOWN, ALL OVER 0.0013 [.000050] NICKEL.
- 16 ROHS 2002/95/EC COMPLIANT

FINISH	TAPE WIDTH	E	D	C	B	A	NO. OF POSN.	PART NUMBER		
16	14 15	88 mm	65.33 [2.572]	32.66 [1.286]	66.59 [2.622]	64.05 [2.522]	49	100	5-147383-9	
16	14 15	72 mm	52.63 [2.072]	26.31 [1.036]	53.89 [2.122]	51.35 [2.022]	39	80	5-147383-8	
16	14 15	72 mm	46.28 [1.822]	23.13 [0.911]	47.54 [1.872]	45.00 [1.772]	34	70	5-147383-7	
16	14 15	56 mm	39.93 [1.572]	19.96 [0.786]	41.19 [1.622]	38.65 [1.522]	29	60	5-147383-6	
16	14 15	44 mm	33.58 [1.322]	16.78 [0.661]	34.84 [1.372]	32.30 [1.272]	24	50	5-147383-5	
16	14 15	44 mm	27.23 [1.072]	13.61 [0.536]	28.49 [1.122]	25.95 [1.022]	19	40	5-147383-4	
16	14 15	44 mm	20.88 [0.822]	10.43 [0.411]	22.14 [0.872]	19.60 [0.772]	14	30	5-147383-3	
16	14 15	32 mm	14.53 [0.572]	7.26 [0.286]	15.79 [0.622]	13.25 [0.522]	9	20	5-147383-2	
16	14 15	32 mm	8.18 [0.322]	4.08 [0.161]	9.44 [0.372]	6.90 [0.272]	4	10	5-147383-1	
SUPERSEDED BY	17	5-147383-9	88 mm	65.33 [2.572]	32.66 [1.286]	66.59 [2.622]	64.05 [2.522]	49	100	5-147383-9
17	14 15	72 mm	52.63 [2.072]	26.31 [1.036]	53.89 [2.122]	51.35 [2.022]	39	80	5-147383-8	
17	14 15	72 mm	46.28 [1.822]	23.13 [0.911]	47.54 [1.872]	45.00 [1.772]	34	70	5-147383-7	
17	14 15	56 mm	39.93 [1.572]	19.96 [0.786]	41.19 [1.622]	38.65 [1.522]	29	60	5-147383-6	
SUPERSEDED BY	17	5-147383-5	44 mm	33.58 [1.322]	16.78 [0.661]	34.84 [1.372]	32.30 [1.272]	24	50	5-147383-5
17	14 15	44 mm	27.23 [1.072]	13.61 [0.536]	28.49 [1.122]	25.95 [1.022]	19	40	5-147383-4	
17	14 15	44 mm	20.88 [0.822]	10.43 [0.411]	22.14 [0.872]	19.60 [0.772]	14	30	5-147383-3	
17	14 15	32 mm	14.53 [0.572]	7.26 [0.286]	15.79 [0.622]	13.25 [0.522]	9	20	5-147383-2	
17	14 15	32 mm	8.18 [0.322]	4.08 [0.161]	9.44 [0.372]	6.90 [0.272]	4	10	5-147383-1	



THIS DRAWING IS A CONTROLLED DOCUMENT. DIM B HAYMAKER 28JAN00. DIM C J. MOSIER 28JAN00. DIM D J. MOSIER 28JAN00. DIM E J. MOSIER 28JAN00. DIM F J. MOSIER 28JAN00. DIM G J. MOSIER 28JAN00. DIM H J. MOSIER 28JAN00. DIM I J. MOSIER 28JAN00. DIM J J. MOSIER 28JAN00. DIM K J. MOSIER 28JAN00. DIM L J. MOSIER 28JAN00. DIM M J. MOSIER 28JAN00. DIM N J. MOSIER 28JAN00. DIM O J. MOSIER 28JAN00. DIM P J. MOSIER 28JAN00. DIM Q J. MOSIER 28JAN00. DIM R J. MOSIER 28JAN00. DIM S J. MOSIER 28JAN00. DIM T J. MOSIER 28JAN00. DIM U J. MOSIER 28JAN00. DIM V J. MOSIER 28JAN00. DIM W J. MOSIER 28JAN00. DIM X J. MOSIER 28JAN00. DIM Y J. MOSIER 28JAN00. DIM Z J. MOSIER 28JAN00.

TE Connectivity

HEADER ASSEMBLY, SURFACE MOUNT, (9.90 [.390] MATED HEIGHT) AMPMODU 50/50 GRID

SIZE: A1 CAGE CODE: 00779 DRAWING NO: 147383

CUSTOMER DRAWING SCALE: 10:1 SHEET: 1 OF 1 REV: D

## X-ON Electronics

Largest Supplier of Electrical and Electronic Components

*Click to view similar products for [Headers & Wire Housings](#) category:*

*Click to view products by [TE Connectivity](#) manufacturer:*

Other Similar products are found below :

[892-18-020-10-001101](#) [58102-G61-06LF](#) [582553-1](#) [0009485154](#) [009176003701906](#) [0050291907](#) [LY20-4P-DT1-P1E-BR](#) [02.125.8002.8](#)  
[609-3404](#) [61062-3](#) [61082-181009](#) [622-3653LF](#) [63453-116](#) [636-1030](#) [636-1427](#) [636-3427](#) [636-4007](#) [641938-9](#) [641991-4](#) [644827-2](#) [65817-010LF](#) [65817-015LF](#) [65863-015LF](#) [66207-023LF](#) [67095-007LF](#) [67601157](#) [68645-018](#) [68648-049](#) [70.362.1628.0](#) [70-4210](#) [70-4226B](#) [70-4853B](#) [707-5020](#) [707-5028](#) [71.350.2428.0](#) [71918-208LF](#) [71961-016LF](#) [733-134](#) [733-162](#) [754199-000](#) [760-3052](#) [787-8014-00](#) [79531-3000](#)  
[FCN-360C032-B](#) [FCN-367T-T012/H](#) [FCN-723D010/2](#) [80.063.4001.1](#) [800-90-001-10-001000](#) [800-90-010-10-002000](#) [801-43-002-10-013000](#)