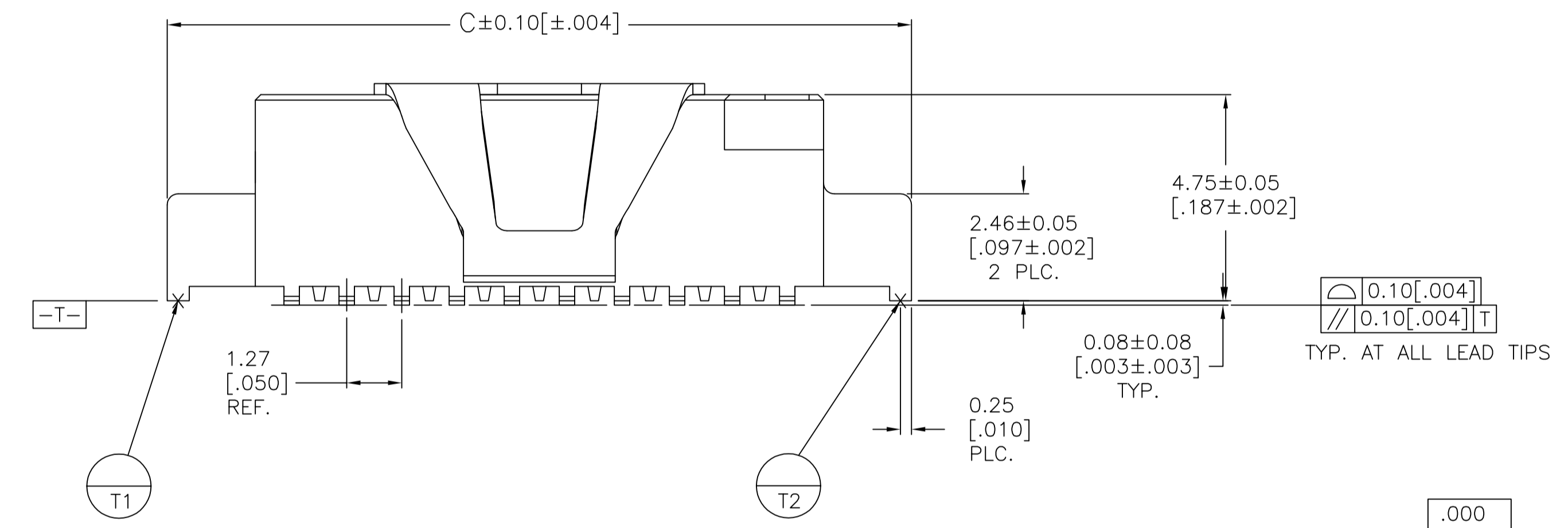
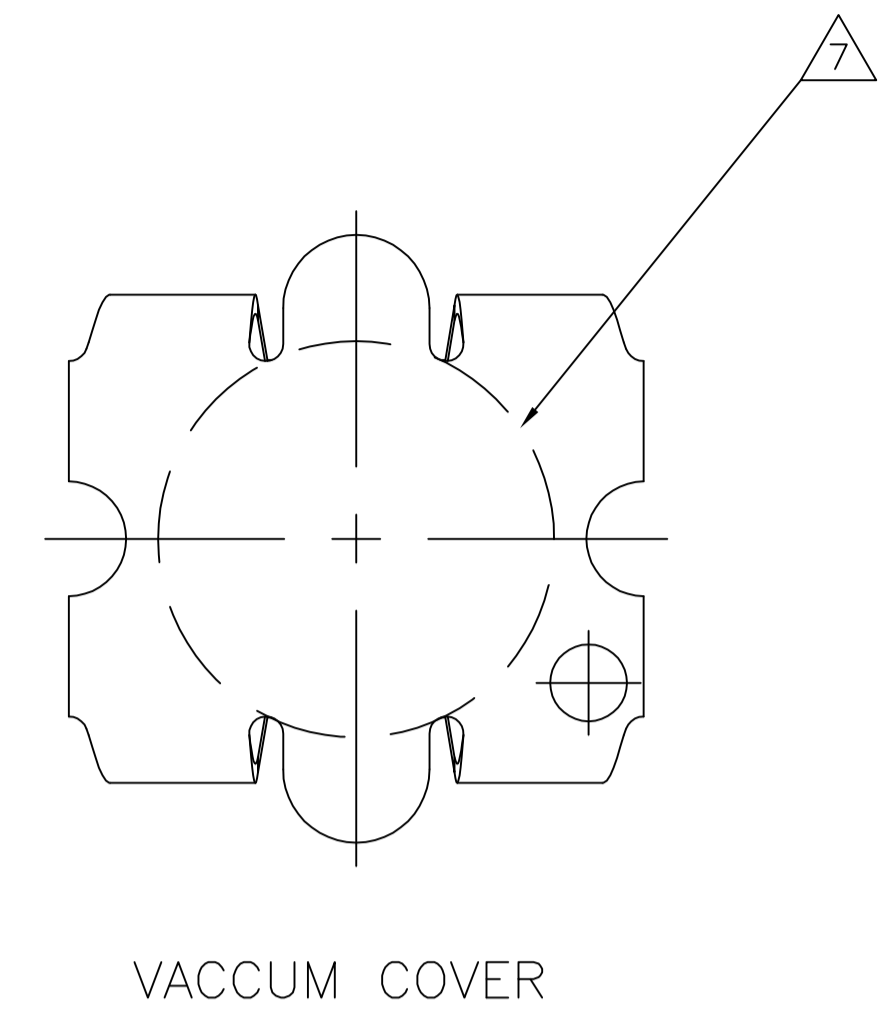
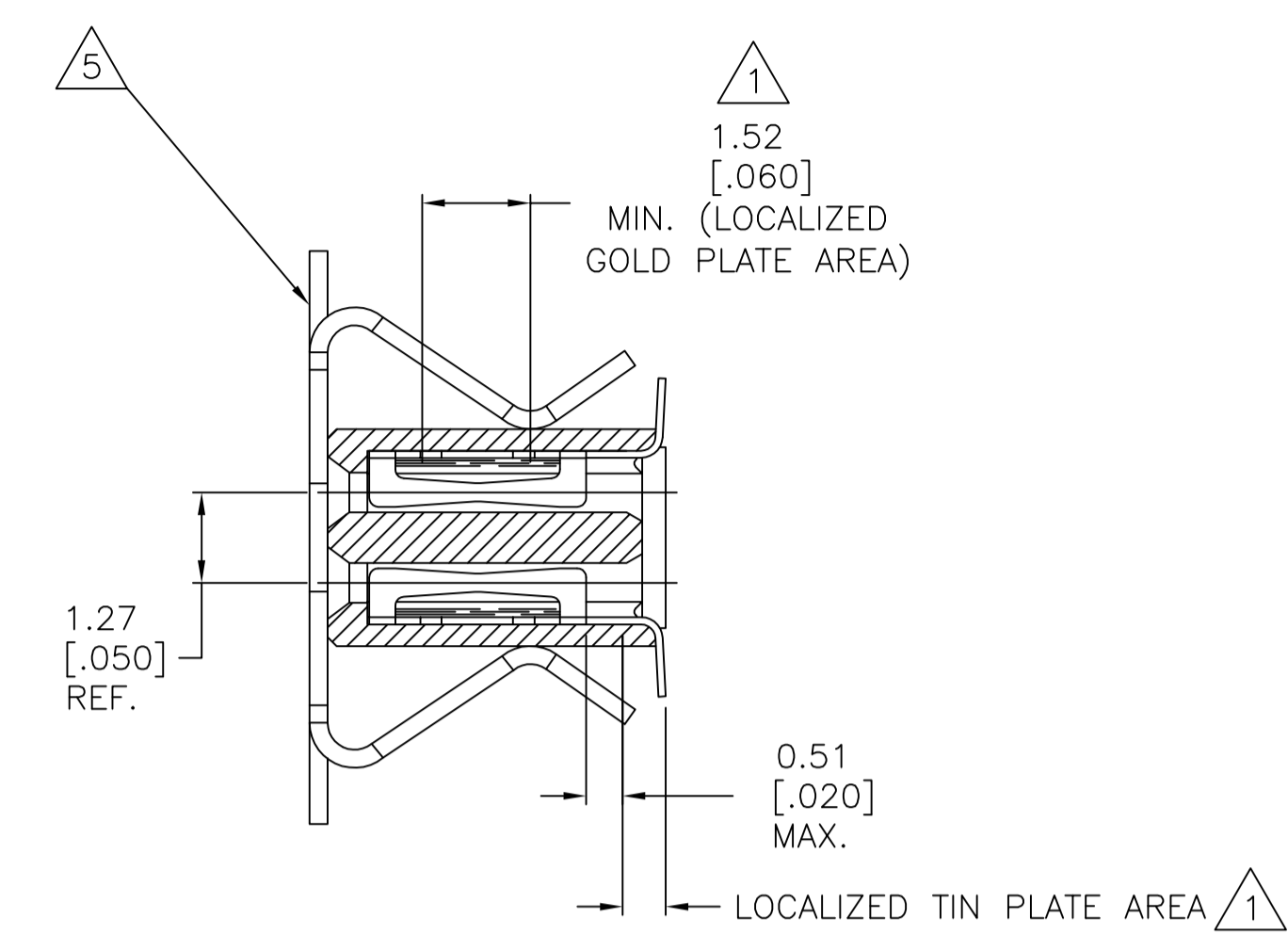
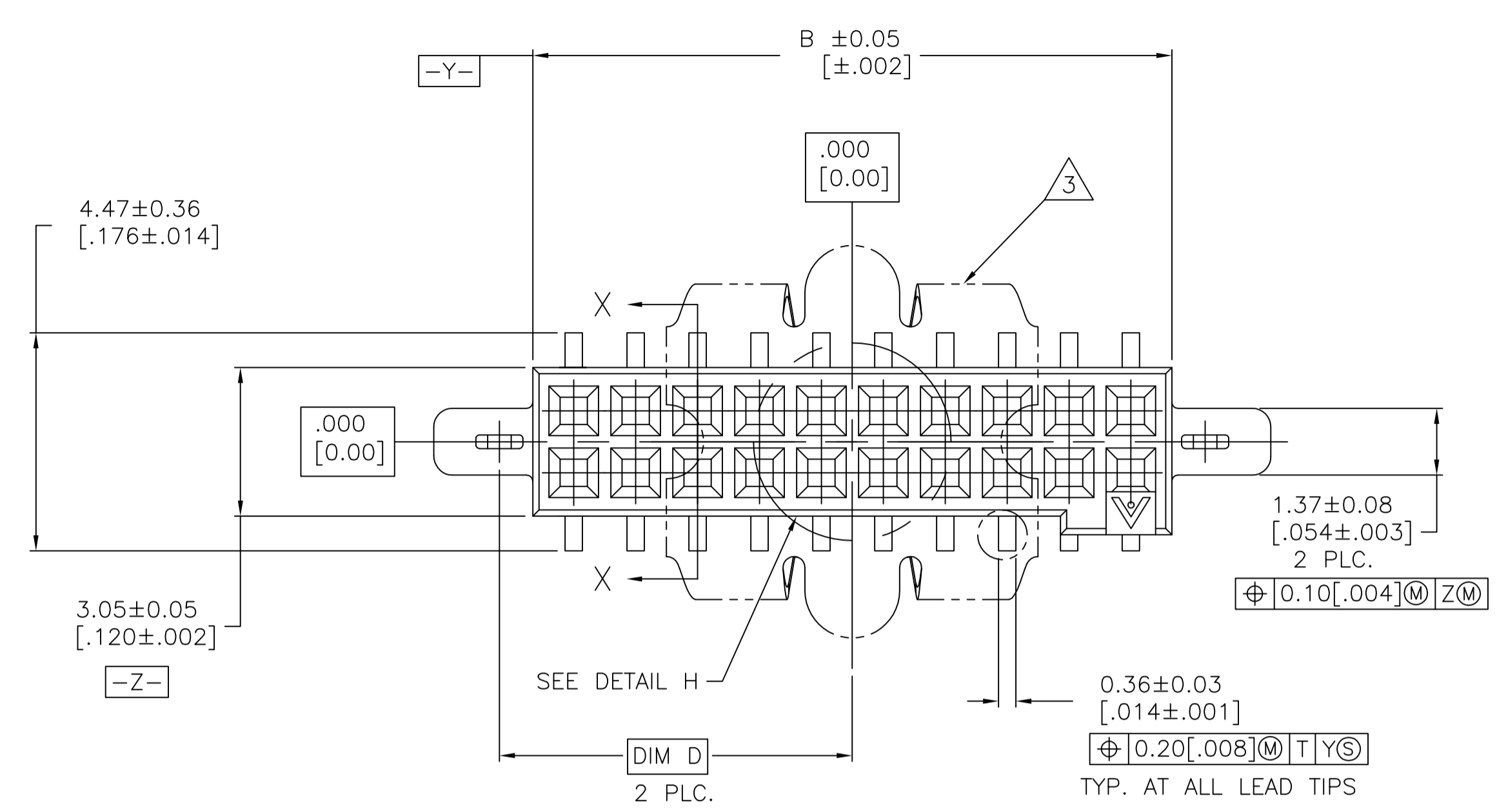


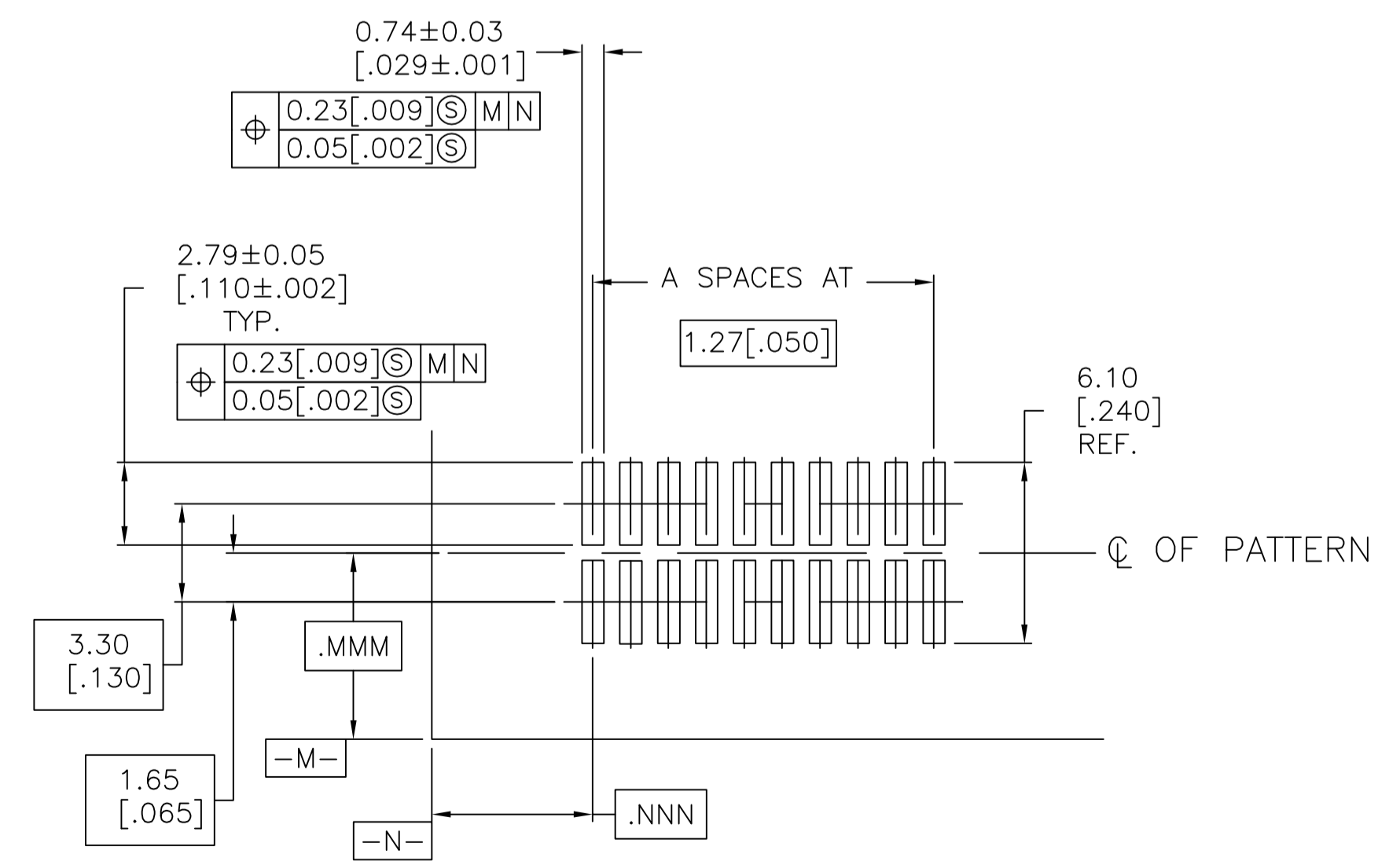
REVISIONS					
P	LTR	DESCRIPTION	DATE	OWN	APVD
E5		REVISED PER ECO-15-017906	15DEC2015	NK	JO
F		REVISED PER ECO-17-016552	21NOV2017	RS	JO



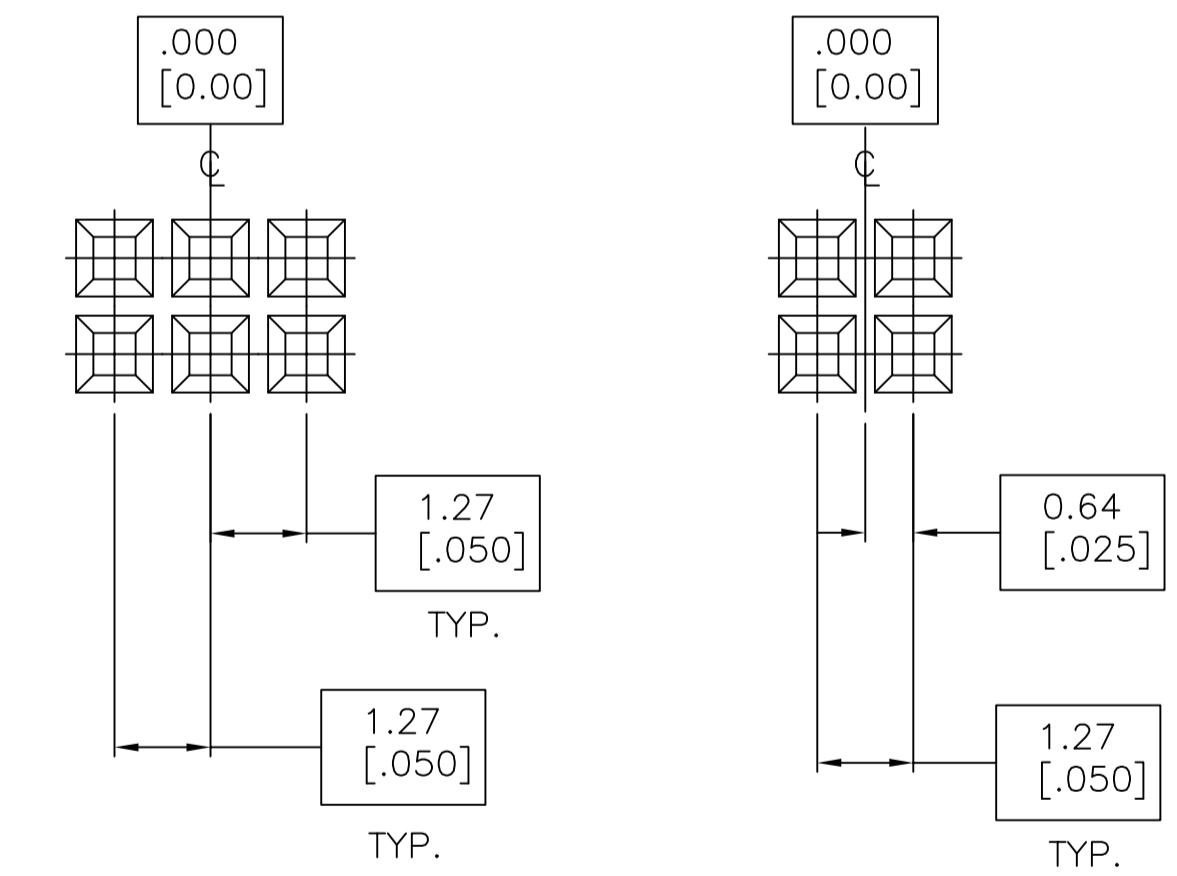
SECTION X-X

VACCUUM COVER

- 1 0.00076 [.000030] GOLD IN LOCALIZED GOLD PLATE AREA, 0.0038 [.000150] TIN-LEAD ON SOLDER LEADS, ALL OVER 0.00127 [.000050] NICKEL.
- 2 IF PLANNING TO USE MORE THAN ONE MATING PAIR OF CONNECTORS TO INTERCONNECT 2 BOARDS, PLEASE REFER TO THE SPACING PARAGRAPH IN APPLICATION SPEC.#114-7010.
- 3 VACCUUM COVER SHOWN IN PHANTOM.
- 4 PACKAGED IN TAPE AND REEL PER EIA-481 SPECIFICATIONS, SEE CHART FOR TAPE WIDTHS.
- 5 VACCUUM COVER DESIGNED FOR 4.0 [.160] DIA NOZZLE. VACCUUM COVER TO BE REMOVED AFTER SOLDERING.
- 6 HOUSING: LCP, COLOR BLACK. CONTACT: COPPER ALLOY PER ASTM SPECIFICATION B422. VACCUUM COVER: ALUMINUM ALLOY PER ASTM SPECIFICATION B209.
- 7 5.2 [.205] MIN. TARGET AREA FOR VACCUUM PICK-UP.
- 8 0.00076(.000030) GOLD IN LOCALIZED GOLD PLATE AREA, 0.0038(.000150) TIN ON SOLDER LEADS, ALL OVER 0.00127(.000050) NICKEL.
- 9 ROHS 2002/95/EC COMPLIANT.
- 10 OBSOLETE PARTS: OBSOLETE CIS STREAMLINING PER D.RENAUD/D.SINISI



RECOMMENDED BOARD LAYOUT SCALE: 5:1



BASIC DIMENSIONS FOR EVEN NO. OF SPACES (SEE TABLE)  
BASIC DIMENSIONS FOR ODD NO. OF SPACES (SEE TABLE)  
DETAIL H

FINISH	TAPE WIDTH	D	C	B	A	NO. OF POS	PART NUMBER	
8 9	44mm	10.41 [.410]	23.52 [.926]	19.46 [.766]	14	30	5-147413-4	
8 9	32mm	7.24 [.285]	17.17 [.676]	13.11 [.516]	9	20	5-147413-3	
10	OBSOLETE	56mm	16.76 [.660]	36.22 [1.426]	32.16 [1.266]	24	50	<del>5-147413-2</del>
8 9	32mm	4.06 [.160]	10.82 [.426]	6.75 [.266]	4	10	5-147413-1	
1		44mm	10.41 [.410]	23.52 [.926]	19.46 [.766]	14	30	147413-4
1		32mm	7.24 [.285]	17.17 [.676]	13.11 [.516]	9	20	147413-3
OBSOLETE		56mm	16.76 [.660]	36.22 [1.426]	32.16 [1.266]	24	50	<del>147413-2</del>
1		32mm	4.06 [.160]	10.82 [.426]	6.75 [.266]	4	10	147413-1

THIS DRAWING IS A CONTROLLED DOCUMENT. DIM T. SMITH 30MAR00. CHK D. SIMPSON 30MAR99. APVD D.L. SIMPSON. NAME ASSEMBLY, RECEPTACLE, VERTICAL, DOUBLE ROW, SURFACE MOUNT 50/50 GRID CONNECTOR. PRODUCT SPEC 108-1332. APPLICATION SPEC 114-7010. SIZE A1. CAGE CODE 00779. DRAWING NO. 147413. WEIGHT -. RESTRICTED TO CUSTOMER DRAWING. SCALE 10:1. SHEET 1 OF 1. REV F.

## X-ON Electronics

Largest Supplier of Electrical and Electronic Components

*Click to view similar products for [Headers & Wire Housings](#) category:*

*Click to view products by [TE Connectivity](#) manufacturer:*

Other Similar products are found below :

[892-18-020-10-001101](#) [58102-G61-06LF](#) [582553-1](#) [0009485154](#) [009176003701906](#) [0050291907](#) [LY20-4P-DT1-P1E-BR](#) [02.125.8002.8](#)  
[609-3404](#) [61062-3](#) [61082-181009](#) [622-3653LF](#) [63453-116](#) [636-1030](#) [636-1427](#) [636-3427](#) [636-4007](#) [641938-9](#) [641991-4](#) [644827-2](#) [65817-](#)  
[010LF](#) [65817-015LF](#) [65863-015LF](#) [66207-023LF](#) [67095-007LF](#) [67601157](#) [68645-018](#) [68648-049](#) [70.362.1628.0](#) [70-4210](#) [70-4226B](#) [70-](#)  
[4853B](#) [707-5020](#) [707-5028](#) [71.350.2428.0](#) [71918-208LF](#) [71961-016LF](#) [733-134](#) [733-162](#) [754199-000](#) [760-3052](#) [787-8014-00](#) [79531-3000](#)  
[FCN-360C032-B](#) [FCN-367T-T012/H](#) [FCN-723D010/2](#) [80.063.4001.1](#) [800-90-001-10-001000](#) [800-90-010-10-002000](#) [801-43-002-10-013000](#)