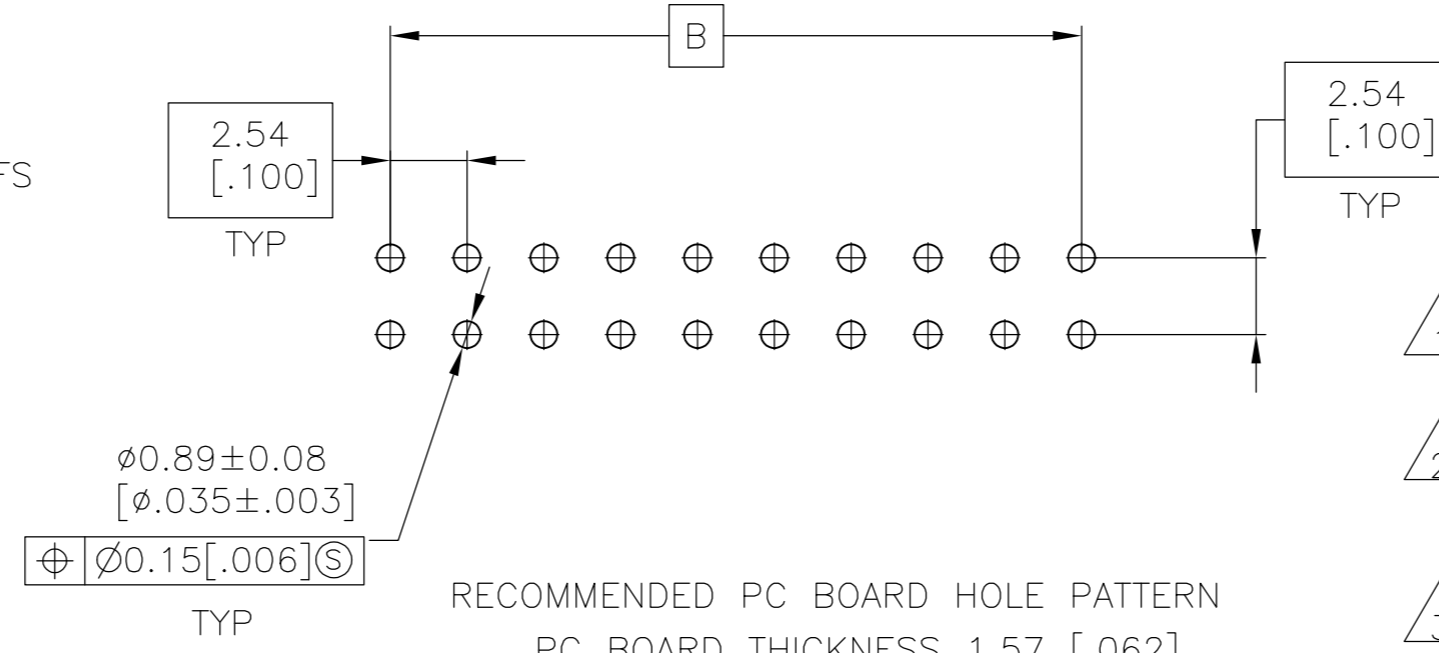
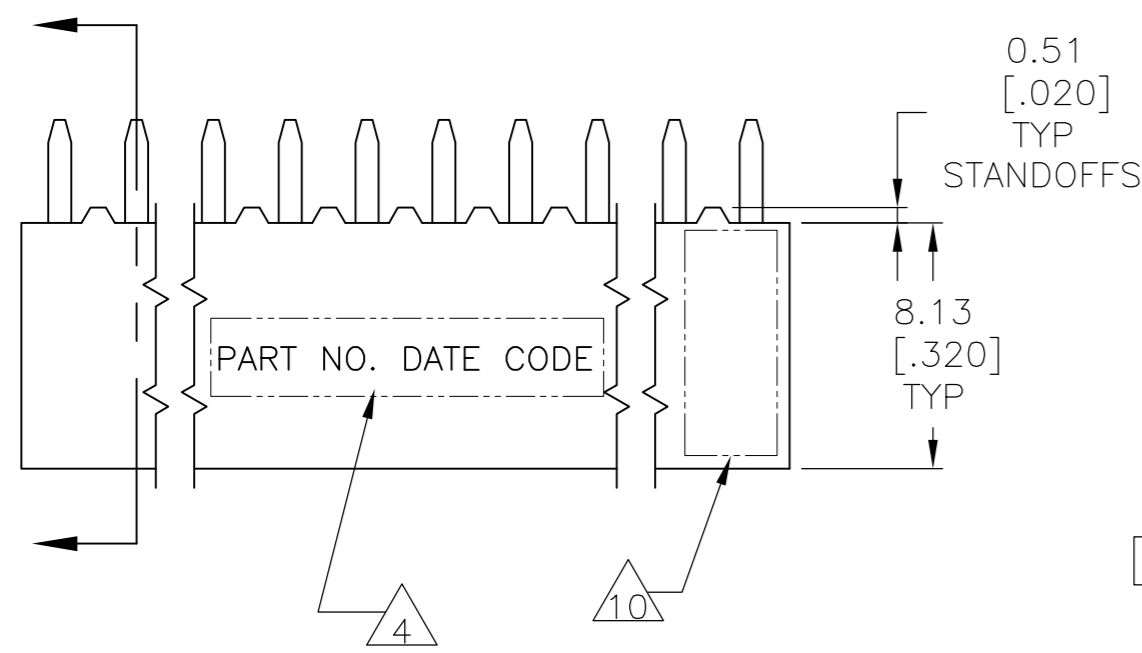
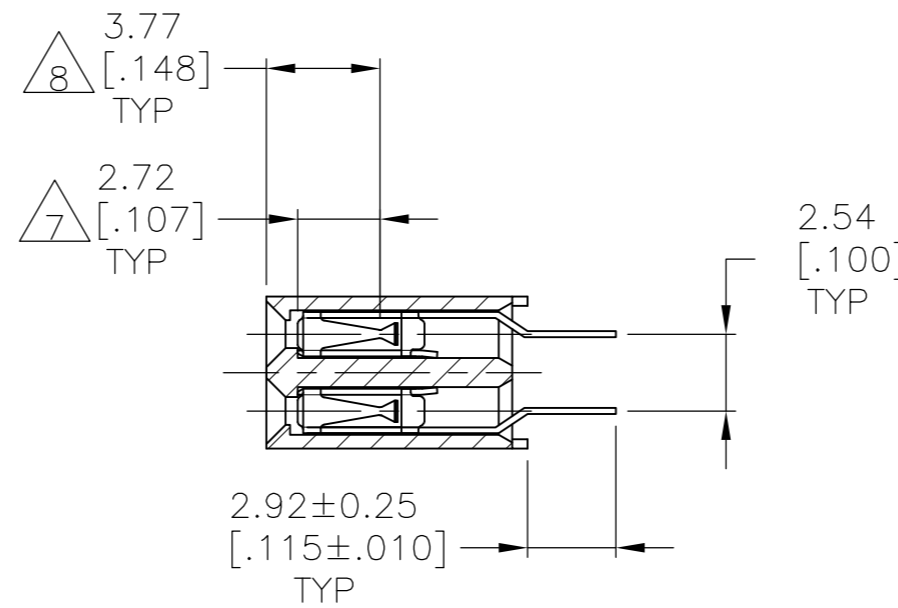
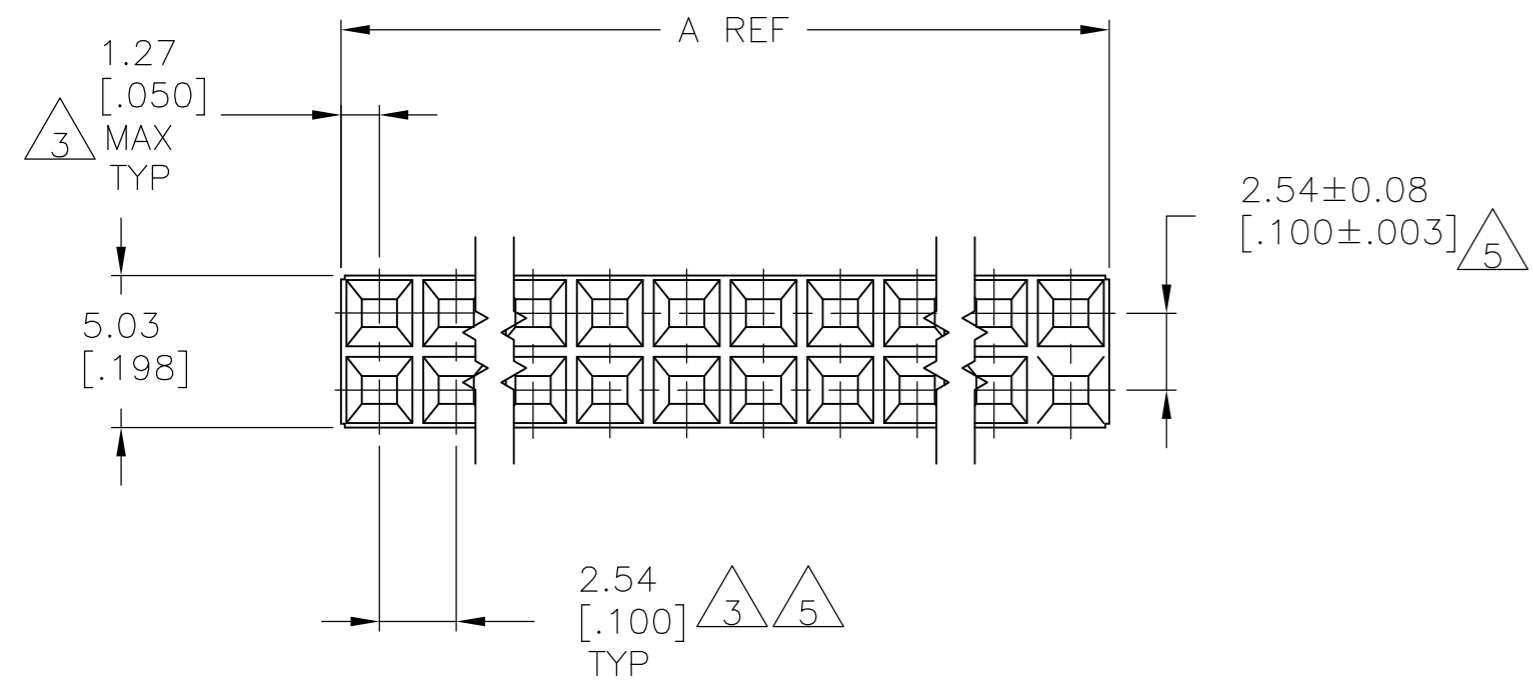


THIS DRAWING IS UNPUBLISHED. RELEASED FOR PUBLICATION
 © COPYRIGHT - By - ALL RIGHTS RESERVED.

| LOC | DIST | REVISIONS | | | |
|-----|------|-------------|---------------------------|---------|-------|
| P | LTR | DESCRIPTION | DATE | DWN | APVD |
| AD | 00 | F7 | REVISED PER ECO-13-005565 | 01APR13 | KH JO |



RECOMMENDED PC BOARD HOLE PATTERN
 PC BOARD THICKNESS 1.57 [.062]



- 1 HOUSING: FLAME RETARDANT, GLASS FILLED, POLYESTER, COLOR: BLACK. CONTACT: PHOSPHOR BRONZE
- 2 CONTACT: DUPLEX PLATED 0.25μm[.000010] MIN GOLD IN CONTACT AREA, 3.81-7.62μm[.000150-.000300] BRIGHT TIN-LEAD ON LEADS ALL OVER 1.27μm[.000050] MINIMUM NICKEL.
- 3 THESE DIMENSIONS PERTAIN TO CAVITY CENTERLINES ONLY - NOT TO CONTACT LOCATIONS
- 4 MARK PART NUMBER AND DATE CODE IN APPROXIMATE LOCATION SHOWN, EITHER SIDE.
- 5 TOLERANCE IS NON-CUMULATIVE.
- 6 2 POSITION DATE CODE IS MARKED OPPOSITE SIDE OF TE LOGO.
- 7 POINT-OF-MEASUREMENT DIMENSION FOR PLATING THICKNESS (INSIDE CONTACT BEAM).
- 8 POINT-OF-CONTACT DIMENSION.
- 9 NO PART NUMBER MARKING REQUIRED FOR THIS PART.
- 10 TE LOGO AND CSA LOGO ARE MOLDED INTO HOUSING.
- 11 CONTACT: DUPLEX PLATED 0.25μm[.000010] MIN GOLD IN CONTACT AREA, 3.81-7.62μm[.000150-.000300] MATTE TIN ON LEADS ALL OVER 1.27μm[.000050] MINIMUM NICKEL
- 12 ROHS 2002/95/EC COMPLIANT

147424

| | | | | | | | | | | | | | | | | |
|---------------------------------------------------------------------------------------------------------------------------------------------------------------------------------------------------------------------------------------------------------------|--------------|-------------------------------|--------------------------------------------------------------------------------------------------------|--------------------|-----|-------|--------------|-------|-----|-------|-----|--------|-----|---------------------------|------------|--------------------|
| THIS DRAWING IS A CONTROLLED DOCUMENT. | | DWN M.BINNER 06NOV2002 | | | | | | | | | | | | | | |
| DIMENSIONS: mm [INCHES] | | CHK J.OLSON 06NOV02 | | | | | | | | | | | | | | |
| TOLERANCES UNLESS OTHERWISE SPECIFIED: | | APVD J.OLSON 06NOV02 | NAME RECEPTACLE ASSEMBLY, MOD IV, DOUBLE ROW, TOP ENTRY, .100X.100CL, VERTICAL MOUNT, AMPMODU | | | | | | | | | | | | | |
| <table border="0"> <tr><td>0 PLC</td><td>± -</td></tr> <tr><td>1 PLC</td><td>± -</td></tr> <tr><td>2 PLC</td><td>± 0.13[.005]</td></tr> <tr><td>3 PLC</td><td>± -</td></tr> <tr><td>4 PLC</td><td>± -</td></tr> <tr><td>ANGLES</td><td>± -</td></tr> </table> | | 0 PLC | ± - | 1 PLC | ± - | 2 PLC | ± 0.13[.005] | 3 PLC | ± - | 4 PLC | ± - | ANGLES | ± - | PRODUCT SPEC 108-25022 | SIZE A2 | CAGE CODE 00779 |
| 0 PLC | ± - | | | | | | | | | | | | | | | |
| 1 PLC | ± - | | | | | | | | | | | | | | | |
| 2 PLC | ± 0.13[.005] | | | | | | | | | | | | | | | |
| 3 PLC | ± - | | | | | | | | | | | | | | | |
| 4 PLC | ± - | | | | | | | | | | | | | | | |
| ANGLES | ± - | | | | | | | | | | | | | | | |
| MATERIAL 1 | | APPLICATION SPEC 114-25018 | DRAWING NO C=147424 | RESTRICTED TO - | | | | | | | | | | | | |
| FINISH 2 11 | | WEIGHT - | SCALE 4:1 | SHEET 1 OF 2 | | | | | | | | | | | | |
| | | CUSTOMER DRAWING | REV F7 | | | | | | | | | | | | | |

THIS DRAWING IS UNPUBLISHED. RELEASED FOR PUBLICATION
 © COPYRIGHT - By - ALL RIGHTS RESERVED.

| LOC | | DIST | | REVISIONS | | | |
|-----|-----|-------------|--|-----------|-----|------|--|
| P | LTR | DESCRIPTION | | DATE | DWN | APVD | |
| | | SEE SHEET 1 | | | | | |

| | | | | |
|--------|---------------|----------------|------------|-------------|
| 2 | 99.06 [3.900] | 101.60 [4.000] | 80 | 4-147424-0 |
| 2 | 96.52 [3.800] | 99.06 [3.900] | 78 | 3-147424-9 |
| 2 | 93.98 [3.700] | 96.52 [3.800] | 76 | 3-147424-8 |
| 2 | 91.44 [3.600] | 93.98 [3.700] | 74 | 3-147424-7 |
| 2 | 88.90 [3.500] | 91.44 [3.600] | 72 | 3-147424-6 |
| 2 | 86.36 [3.400] | 88.90 [3.500] | 70 | 3-147424-5 |
| 2 | 83.82 [3.300] | 86.36 [3.400] | 68 | 3-147424-4 |
| 2 | 81.28 [3.200] | 83.82 [3.300] | 66 | 3-147424-3 |
| 2 | 78.74 [3.100] | 81.28 [3.200] | 64 | 3-147424-2 |
| 2 | 76.20 [3.000] | 78.74 [3.100] | 62 | 3-147424-1 |
| 2 | 73.66 [2.900] | 76.20 [3.000] | 60 | 3-147424-0 |
| 2 | 71.12 [2.800] | 73.66 [2.900] | 58 | 2-147424-9 |
| 2 | 68.58 [2.700] | 71.12 [2.800] | 56 | 2-147424-8 |
| 2 | 66.04 [2.600] | 68.58 [2.700] | 54 | 2-147424-7 |
| 2 | 63.50 [2.500] | 66.04 [2.600] | 52 | 2-147424-6 |
| 2 | 60.96 [2.400] | 63.50 [2.500] | 50 | 2-147424-5 |
| 2 | 58.42 [2.300] | 60.96 [2.400] | 48 | 2-147424-4 |
| 2 | 55.88 [2.200] | 58.42 [2.300] | 46 | 2-147424-3 |
| 2 | 53.34 [2.100] | 55.88 [2.200] | 44 | 2-147424-2 |
| 2 | 50.80 [2.000] | 53.34 [2.100] | 42 | 2-147424-1 |
| 2 | 48.26 [1.900] | 50.80 [2.000] | 40 | 2-147424-0 |
| 2 | 45.72 [1.800] | 48.26 [1.900] | 38 | 1-147424-9 |
| 2 | 43.18 [1.700] | 45.72 [1.800] | 36 | 1-147424-8 |
| 2 | 40.64 [1.600] | 43.18 [1.700] | 34 | 1-147424-7 |
| 2 | 38.10 [1.500] | 40.64 [1.600] | 32 | 1-147424-6 |
| 2 | 35.56 [1.400] | 38.10 [1.500] | 30 | 1-147424-5 |
| 2 | 33.02 [1.300] | 35.56 [1.400] | 28 | 1-147424-4 |
| 2 | 30.48 [1.200] | 33.02 [1.300] | 26 | 1-147424-3 |
| 2 | 27.94 [1.100] | 30.48 [1.200] | 24 | 1-147424-2 |
| 2 | 25.40 [1.000] | 27.94 [1.100] | 22 | 1-147424-1 |
| 2 | 22.86 [.900] | 25.40 [1.000] | 20 | 1-147424-0 |
| 2 | 20.32 [.800] | 22.86 [.900] | 18 | 147424-9 |
| 2 | 17.78 [.700] | 20.32 [.800] | 16 | 147424-8 |
| 2 | 15.24 [.600] | 17.78 [.700] | 14 | 147424-7 |
| 2 | 12.70 [.500] | 15.24 [.600] | 12 | 147424-6 |
| 2 | 10.16 [.400] | 12.70 [.500] | 10 | 147424-5 |
| 2 | 7.62 [.300] | 10.16 [.400] | 8 | 147424-4 |
| 2 | 5.08 [.200] | 7.62 [.300] | 6 | 147424-3 |
| 2 | 2.54 [.100] | 5.08 [.200] | 4 | 147424-2 |
| 2 | 2.54 [.100] | 2.54 [.100] | 2 | 147424-1 |
| FINISH | B | A | NO OF POSN | PART NUMBER |

SUPERSEDED BY 7-147424-4

SUPERSEDED BY 7-147424-0

SUPERSEDED BY 6-147424-6

SUPERSEDED BY 6-147424-5

SUPERSEDED BY 6-147424-0

OBSOLETE

| | | | | |
|--------|---------------|----------------|------------|-------------|
| 11 | 99.06 [3.900] | 101.60 [4.000] | 80 | 9-147424-0 |
| 11 | 96.52 [3.800] | 99.06 [3.900] | 78 | 8-147424-9 |
| 11 | 93.98 [3.700] | 96.52 [3.800] | 76 | 8-147424-8 |
| 11 | 91.44 [3.600] | 93.98 [3.700] | 74 | 8-147424-7 |
| 11 | 88.90 [3.500] | 91.44 [3.600] | 72 | 8-147424-6 |
| 11 | 86.36 [3.400] | 88.90 [3.500] | 70 | 8-147424-5 |
| 11 | 83.82 [3.300] | 86.36 [3.400] | 68 | 8-147424-4 |
| 11 | 81.28 [3.200] | 83.82 [3.300] | 66 | 8-147424-3 |
| 11 | 78.74 [3.100] | 81.28 [3.200] | 64 | 8-147424-2 |
| 11 | 76.20 [3.000] | 78.74 [3.100] | 62 | 8-147424-1 |
| 11 | 73.66 [2.900] | 76.20 [3.000] | 60 | 8-147424-0 |
| 11 | 71.12 [2.800] | 73.66 [2.900] | 58 | 7-147424-9 |
| 11 | 68.58 [2.700] | 71.12 [2.800] | 56 | 7-147424-8 |
| 11 | 66.04 [2.600] | 68.58 [2.700] | 54 | 7-147424-7 |
| 11 | 63.50 [2.500] | 66.04 [2.600] | 52 | 7-147424-6 |
| 11 | 60.96 [2.400] | 63.50 [2.500] | 50 | 7-147424-5 |
| 11 | 58.42 [2.300] | 60.96 [2.400] | 48 | 7-147424-4 |
| 11 | 55.88 [2.200] | 58.42 [2.300] | 46 | 7-147424-3 |
| 11 | 53.34 [2.100] | 55.88 [2.200] | 44 | 7-147424-2 |
| 11 | 50.80 [2.000] | 53.34 [2.100] | 42 | 7-147424-1 |
| 11 | 48.26 [1.900] | 50.80 [2.000] | 40 | 7-147424-0 |
| 11 | 45.72 [1.800] | 48.26 [1.900] | 38 | 6-147424-9 |
| 11 | 43.18 [1.700] | 45.72 [1.800] | 36 | 6-147424-8 |
| 11 | 40.64 [1.600] | 43.18 [1.700] | 34 | 6-147424-7 |
| 11 | 38.10 [1.500] | 40.64 [1.600] | 32 | 6-147424-6 |
| 11 | 35.56 [1.400] | 38.10 [1.500] | 30 | 6-147424-5 |
| 11 | 33.02 [1.300] | 35.56 [1.400] | 28 | 6-147424-4 |
| 11 | 30.48 [1.200] | 33.02 [1.300] | 26 | 6-147424-3 |
| 11 | 27.94 [1.100] | 30.48 [1.200] | 24 | 6-147424-2 |
| 11 | 25.40 [1.000] | 27.94 [1.100] | 22 | 6-147424-1 |
| 11 | 22.86 [.900] | 25.40 [1.000] | 20 | 6-147424-0 |
| 11 | 20.32 [.800] | 22.86 [.900] | 18 | 5-147424-9 |
| 11 | 17.78 [.700] | 20.32 [.800] | 16 | 5-147424-8 |
| 11 | 15.24 [.600] | 17.78 [.700] | 14 | 5-147424-7 |
| 11 | 12.70 [.500] | 15.24 [.600] | 12 | 5-147424-6 |
| 11 | 10.16 [.400] | 12.70 [.500] | 10 | 5-147424-5 |
| 11 | 7.62 [.300] | 10.16 [.400] | 8 | 5-147424-4 |
| 11 | 5.08 [.200] | 7.62 [.300] | 6 | 5-147424-3 |
| 11 | 2.54 [.100] | 5.08 [.200] | 4 | 5-147424-2 |
| 11 | 2.54 [.100] | 2.54 [.100] | 2 | 5-147424-1 |
| FINISH | B | A | NO OF POSN | PART NUMBER |

OBSOLETE

| | | | | |
|---------------------------------------------------------------------------------------------------------------------------------|--|------------------------------|--------------------------------------------------------------------------------------------------------|--------------------|
| THIS DRAWING IS A CONTROLLED DOCUMENT. | | DWN M.BINNER 06NOV2002 | | |
| DIMENSIONS: mm [INCHES] | | CHK J.OLSON 06NOV02 | | |
| TOLERANCES UNLESS OTHERWISE SPECIFIED: 0 PLC ± - 1 PLC ± - 2 PLC ± 0.13 [.005] 3 PLC ± - 4 PLC ± - ANGLES ± - | | APVD J.OLSON 06NOV02 | NAME RECEPTACLE ASSEMBLY, MOD IV, DOUBLE ROW, TOP ENTRY, .100X.100CL, VERTICAL MOUNT, AMPMODU | |
| MATERIAL 1 | | FINISH 2 11 | SIZE A2 | CAGE CODE 00779 |
| CUSTOMER DRAWING | | WEIGHT - | DRAWING NO 114-25018 | RESTRICTED TO - |
| | | SCALE 1:1 | SHEET 2 OF 2 | REV F7 |

X-ON Electronics

Largest Supplier of Electrical and Electronic Components

Click to view similar products for [Headers & Wire Housings](#) category:

Click to view products by [TE Connectivity](#) manufacturer:

Other Similar products are found below :

[892-18-020-10-001101](#) [58102-G61-06LF](#) [582553-1](#) [0009485154](#) [009176003701906](#) [0050291907](#) [LY20-4P-DT1-P1E-BR](#) [02.125.8002.8](#)
[609-3404](#) [61062-3](#) [61082-181009](#) [622-3653LF](#) [63453-116](#) [636-1030](#) [636-1427](#) [636-3427](#) [636-4007](#) [641938-9](#) [641991-4](#) [644827-2](#) [65817-](#)
[010LF](#) [65817-015LF](#) [65863-015LF](#) [66207-023LF](#) [67095-007LF](#) [67601157](#) [68645-018](#) [68648-049](#) [70.362.1628.0](#) [70-4210](#) [70-4226B](#) [70-](#)
[4853B](#) [707-5020](#) [707-5028](#) [71.350.2428.0](#) [71918-208LF](#) [71961-016LF](#) [733-134](#) [733-162](#) [754199-000](#) [760-3052](#) [787-8014-00](#) [79531-3000](#)
[FCN-360C032-B](#) [FCN-367T-T012/H](#) [FCN-723D010/2](#) [80.063.4001.1](#) [800-90-001-10-001000](#) [800-90-010-10-002000](#) [801-43-002-10-013000](#)