

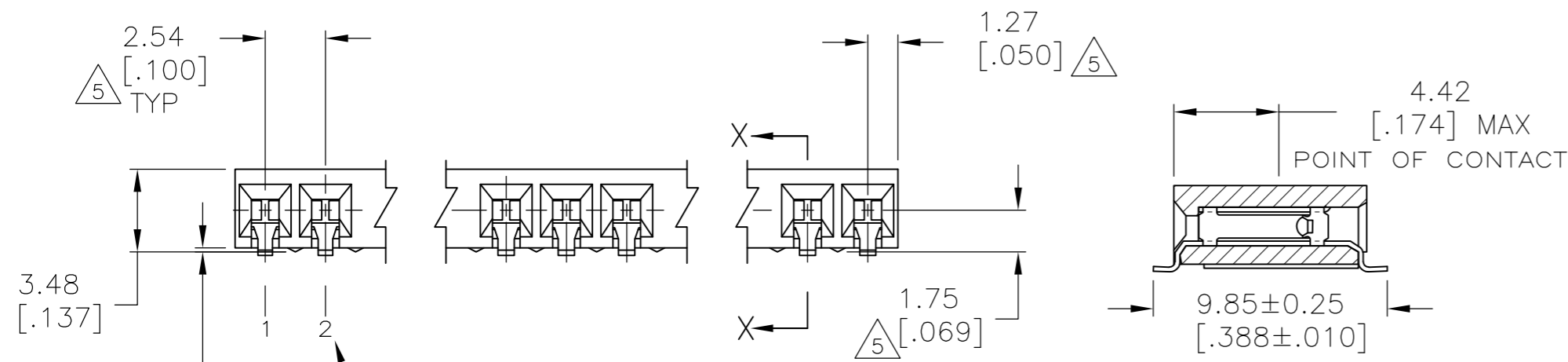
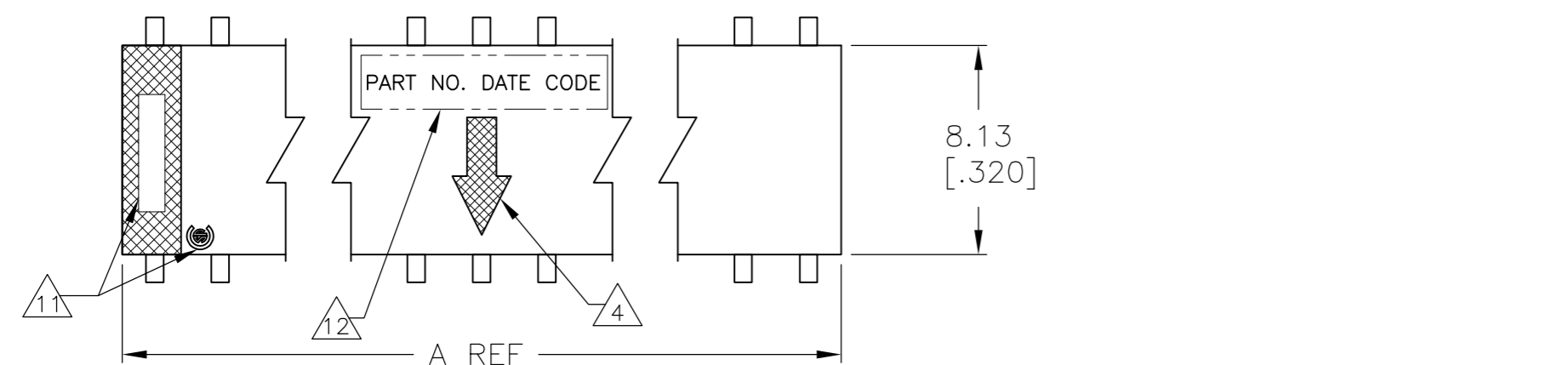
THIS DRAWING IS UNPUBLISHED. RELEASED FOR PUBLICATION
 © COPYRIGHT - By - ALL RIGHTS RESERVED.

LOC		DIST		REVISIONS			
P	LTR	DESCRIPTION		DATE	DWN	APVD	
	A6	REVISED PER ECO-13-005565		30MAR13	KH	JO	

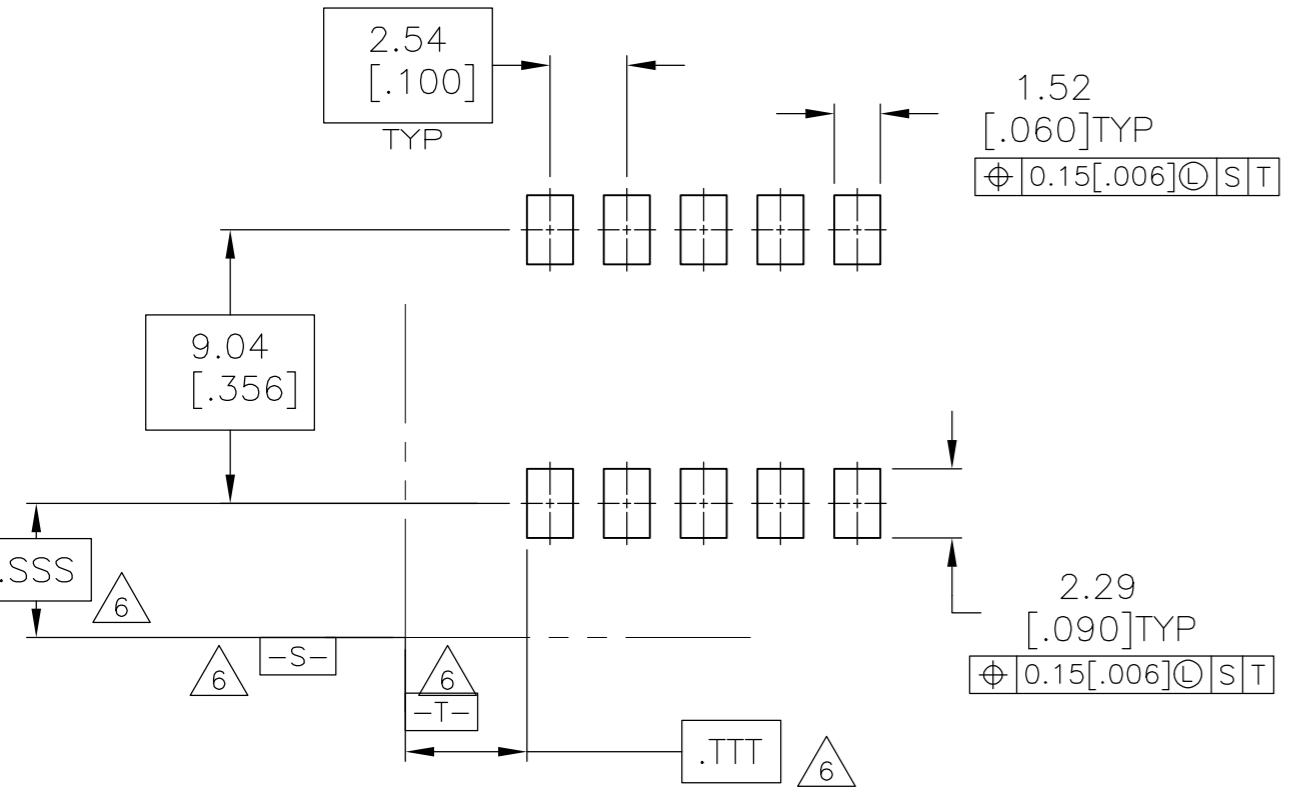
- 1 HOUSING: GLASS FILLED POLYESTER, PCT, COLOR: BLACK
- 2 CONTACT: PHOSPHOR BRONZE
- 3 CONTACT FINISH: 3.81-7.62 (.000150-.000300) MATTE TIN ALL OVER
0.00127(.000050) MIN NICKEL ENTIRE CONTACT
- 4 MOLDED IN ARROW DESIGNATES MATING FACE OF CONNECTOR
- 5 DIMENSIONS PERTAINS TO CAVITY CENTERLINES
- 6 DATUMS AND BASIC DIMENSIONS ARE ESTABLISHED BY THE CUSTOMER
- 7 PRE-PRODUCTION-PRELIMINARY PARTS
- 8 NO PART NUMBER MARKING REQUIRED FOR THIS PART
- 9 ROHS 2002/95/EC COMPLIANT

- 11 TE LOGO AND CSA LOGO ARE MOLDED INTO HOUSING, THIS LOCATION.
- 12 MARK PART NUMBER AND DATE CODE IN APPROXIMATE LOCATION SHOWN, EITHER END

101.60[4.000]	40	3-5147733-9
99.06[3.900]	39	3-5147733-8
96.52[3.800]	38	3-5147733-7
93.98[3.700]	37	3-5147733-6
91.44[3.600]	36	3-5147733-5
88.90[3.500]	35	3-5147733-4
86.36[3.400]	34	3-5147733-3
83.82[3.300]	33	3-5147733-2
81.28[3.200]	32	3-5147733-1
78.74[3.100]	31	3-5147733-0
76.20[3.000]	30	2-5147733-9
73.66[2.900]	29	2-5147733-8
71.12[2.800]	28	2-5147733-7
68.58[2.700]	27	2-5147733-6
66.04[2.600]	26	2-5147733-5
63.50[2.500]	25	2-5147733-4
60.96[2.400]	24	2-5147733-3
58.42[2.300]	23	2-5147733-2
55.88[2.200]	22	2-5147733-1
53.34[2.100]	21	2-5147733-0
50.80[2.000]	20	1-5147733-9
48.26[1.900]	19	1-5147733-8
45.72[1.800]	18	1-5147733-7
43.18[1.700]	17	1-5147733-6
40.64[1.600]	16	1-5147733-5
38.10[1.500]	15	1-5147733-4
35.56[1.400]	14	1-5147733-3
33.02[1.300]	13	1-5147733-2
30.48[1.200]	12	1-5147733-1
27.94[1.100]	11	1-5147733-0
25.40[1.000]	10	5147733-9
22.86[.900]	9	5147733-8
20.32[.800]	8	5147733-7
17.78[.700]	7	5147733-6
15.24[.600]	6	5147733-5
10.16[.500]	5	5147733-4
10.16[.400]	4	5147733-3
7.62[.300]	3	5147733-2
5.08[.200]	2	5147733-1



SECTION X-X



RECOMMENDED PC BOARD LAYOUT

165.10[6.500]	65	6-5147733-4
162.56[6.400]	64	6-5147733-3
160.02[6.300]	63	6-5147733-2
157.48[6.200]	62	6-5147733-1
152.94[6.100]	61	6-5147733-0
152.40[6.000]	60	5-5147733-9
149.86[5.900]	59	5-5147733-8
147.32[5.800]	58	5-5147733-7
144.78[5.700]	57	5-5147733-6
147.32[5.600]	56	5-5147733-5
139.70[5.500]	55	5-5147733-4
137.16[5.400]	54	5-5147733-3
134.62[5.300]	53	5-5147733-2
132.08[5.200]	52	5-5147733-1
129.54[5.100]	51	5-5147733-0
127.00[5.000]	50	4-5147733-9
124.46[4.900]	49	4-5147733-8
121.92[4.800]	48	4-5147733-7
119.38[4.700]	47	4-5147733-6
116.84[4.600]	46	4-5147733-5
114.30[4.500]	45	4-5147733-4
111.76[4.400]	44	4-5147733-3
109.22[4.300]	43	4-5147733-2
106.68[4.200]	42	4-5147733-1
104.14[4.100]	41	4-5147733-0

A	NO OF POSN	PART NUMBER	A	NO OF POSN	PART NUMBER

THIS DRAWING IS A CONTROLLED DOCUMENT.		DWN 10NOV04		
DIMENSIONS: mm [INCHES]		CHK -		
TOLERANCES UNLESS OTHERWISE SPECIFIED:		APVD -	NAME	
0 PLC ± -	1 PLC ± -	PRODUCT SPEC -	AMPMODU MODII RECPT. ASSY., HORZ., SURFACE MOUNT, .100CL, 1 ROW CLOSED ENTRY, END STACK	
2 PLC ± -	3 PLC ± .005	APPLICATION SPEC -	SIZE A2	CAGE CODE 00779
4 PLC ± -	ANGLES ± -	WEIGHT -	DRAWING NO C=5147733	RESTRICTED TO -
MATERIAL 1 2	FINISH 3	CUSTOMER DRAWING	SCALE 5:1	SHEET 1 OF 1

X-ON Electronics

Largest Supplier of Electrical and Electronic Components

Click to view similar products for [Headers & Wire Housings](#) category:

Click to view products by [TE Connectivity](#) manufacturer:

Other Similar products are found below :

[892-18-020-10-001101](#) [58102-G61-06LF](#) [582553-1](#) [0009485154](#) [009176003701906](#) [0050291907](#) [LY20-4P-DT1-P1E-BR](#) [02.125.8002.8](#)
[609-3404](#) [61062-3](#) [61082-181009](#) [622-3653LF](#) [63453-116](#) [636-1030](#) [636-1427](#) [636-3427](#) [636-4007](#) [641938-9](#) [641991-4](#) [644827-2](#) [65817-](#)
[010LF](#) [65817-015LF](#) [65863-015LF](#) [66207-023LF](#) [67095-007LF](#) [67601157](#) [68645-018](#) [68648-049](#) [70.362.1628.0](#) [70-4210](#) [70-4226B](#) [70-](#)
[4853B](#) [707-5020](#) [707-5028](#) [71.350.2428.0](#) [71918-208LF](#) [71961-016LF](#) [733-134](#) [733-162](#) [754199-000](#) [760-3052](#) [787-8014-00](#) [79531-3000](#)
[FCN-360C032-B](#) [FCN-367T-T012/H](#) [FCN-723D010/2](#) [80.063.4001.1](#) [800-90-001-10-001000](#) [800-90-010-10-002000](#) [801-43-002-10-013000](#)