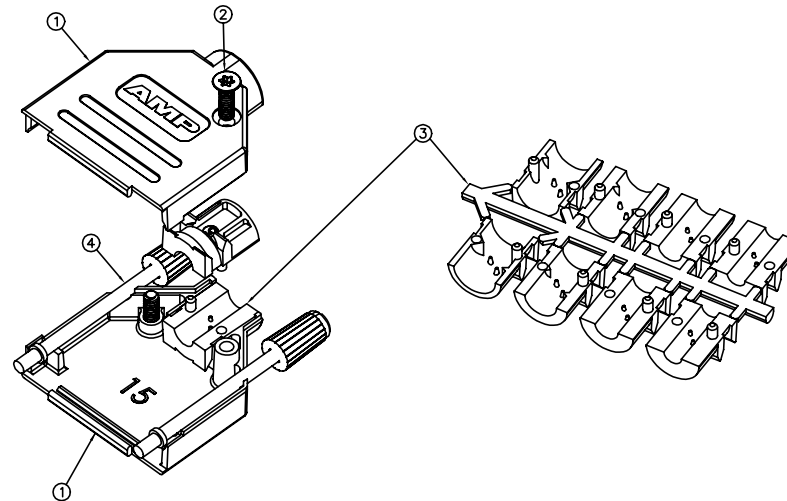
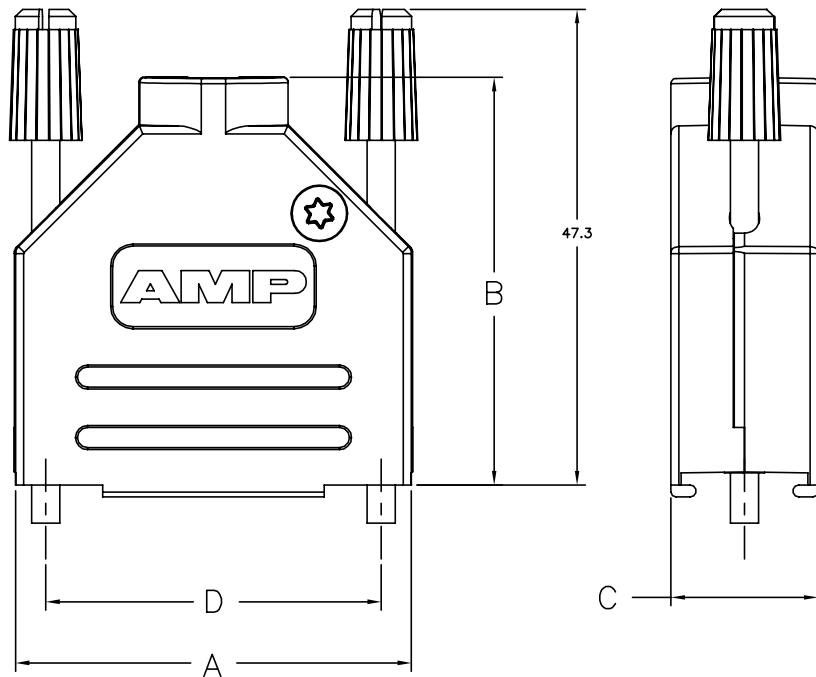


| REVISIONS | | | | | |
|-----------|-----|---------------------------|-----------|-----|------|
| P | LTR | DESCRIPTION | DATE | DWN | APVD |
| N | | REVISED PER ECN-21-102828 | 09MAY2012 | AK | SZ |



1. FOR ASSEMBLY DETAILS, REFER TO LEAFLET 2227518-1.
2. BULK PACKAGED BACKSHELL ASSEMBLIES:
ITEM 1, 200 BACKSHELL HALVES, LOOSE IN BOX. ITEMS 2 THRU 4, 100 TIMES QTY SHOWN IN TABLE IN 1 BAG FOR EACH ITEM. ALL BAGS IN 1 BOX WITH (1) 2227518-1 LEAFLET.
3. INDIVIDUALLY PACKAGED SHELL ASSEMBLIES:
1 BAG CONTAINS ALL COMPONENTS FOR 1 COMPLETE ASSEMBLY. 100 BAGS PER BOX, (1) 2227518-1 LEAFLET PER BOX.
4. TERMINATES 4.0-13.0 CABLE DIAMETERS.
5. 15 POSITION SHOWN.
6. TRIVALENT CHROMIUM CHROMATE COATING OVER ZINC PLATING.
7. OPTIONAL CABLE CRIMP KIT AVAILABLE FOR 6.0-9.5 DIAMETER CABLE. SEE 1478764.

| △ | 47.0 | 14.6 | 47.3 | 53.2 | POZIDRIV | M3 | 3 | 25 WAY | 6-1478762-7 | |
|-----------|------|------|------|------|--------------------------------|------------------|------------|----------|-------------|-------------|
| △ | 33.3 | 14.6 | 40.5 | 39.5 | POZIDRIV | M3 | 2 | 15 WAY | 6-1478762-6 | |
| OBSOLETE | △ | 25.0 | 14.6 | 38.3 | 31.0 | POZIDRIV | M3 | 1 | 9 WAY | 6-1478762-5 |
| △ | 63.5 | 15.0 | 52.2 | 69.7 | TORX | 4-40 UNC | 4 | 37 WAY | 5-1478762-4 | |
| △ | 47.0 | 14.6 | 47.3 | 53.2 | TORX | 4-40 UNC | 3 | 25 WAY | 5-1478762-3 | |
| △ | 33.3 | 14.6 | 40.5 | 39.5 | TORX | 4-40 UNC | 2 | 15 WAY | 5-1478762-2 | |
| △ | 25.0 | 14.6 | 38.3 | 31.0 | TORX | 4-40 UNC | 1 | 9 WAY | 5-1478762-1 | |
| △ | 63.5 | 15.0 | 52.2 | 69.7 | TORX | 4-40 UNC | 4 | 37 WAY | 3-1478762-7 | |
| △ | 47.0 | 14.6 | 47.3 | 53.2 | TORX | 4-40 UNC | 3 | 25 WAY | 2-1478762-5 | |
| △ | 33.3 | 14.6 | 40.5 | 39.5 | TORX | 4-40 UNC | 2 | 15 WAY | 1-1478762-5 | |
| △ | 25.0 | 14.6 | 38.3 | 31.0 | TORX | 4-40 UNC | 1 | 9 WAY | 1478762-9 | |
| PACKAGING | D | C | B | A | SELF TAPPING FIXING SCREW TYPE | JACKSCREW THREAD | SHELL SIZE | POSITION | PART NUMBER | |

| ITEM | DESCRIPTION | MATERIAL | FINISH | QTY |
|------|---------------------------|---|------------|-----|
| 4 | JACKSCREW ASSEMBLY, 4-40 | POLYAMIDE, UL94 V2 KNOB CARBON STEEL SHAFT | BLACK 6 | 2 |
| 3 | STRAIN RELIEF SET | POLYCARBONATE UL94 V0 | BLACK | 1 |
| 2 | SELF TAPPING FIXING SCREW | CARBON STEEL | 6 | 2 |
| 1 | BACKSHELL HALF | ZINC | NICKEL | 2 |

THIS DRAWING IS A CONTROLLED DOCUMENT. DIMENSIONING AND TOLERANCING PER ASME Y14.5M-2009

DW: C. VALENTINE 03/AN/2012
CHK: C. ROHDE 03/AN/2012
APVD: C. ROHDE 03/AN/2012

TE Connectivity
ADK SERIES DIE-CAST BACKSHELL, STRAIGHT ENTRY

SIZE: A2 CAGE CODE: 00779 DRAWING NO: 1478762 RESTRICTED TO: N

CUSTOMER DRAWING SCALE: NTS SHEET: 1 of 1 REV: N

X-ON Electronics

Largest Supplier of Electrical and Electronic Components

Click to view similar products for [D-Sub Backshells](#) category:

Click to view products by [TE Connectivity](#) manufacturer:

Other Similar products are found below :

[600X54009X](#) [M85049/6-38N](#) [M85049/86-12N03](#) [M85049/90-13P03](#) [70.350.0636.4](#) [70.350.2435.1](#) [72.350.1035.2](#) [72.352.2435.1](#)
[73.359.4035.3](#) [829472-1](#) [PCS-E20W](#) [970-015-040R011](#) [971-009-030R121](#) [971-009-040R011](#) [971-015-040R011](#) [DPH-B-003](#) [1437013-9](#)
[1484402-8](#) [156-3025-EX](#) [16-500800](#) [165X02659X](#) [165X03329A](#) [165X03399A](#) [165X10259X](#) [165X11759X](#) [165X11889X](#) [165X11899X](#)
[165X13019X](#) [165X13029X](#) [165X13169X](#) [165X13199X](#) [165X13239X](#) [165X13389X](#) [165X13489X](#) [165X14219X](#) [165X14429X](#)
[165X14449X](#) [165X17409X](#) [165X17439X](#) [165X17569X](#) [165X17599X](#) [165X17609X](#) [165X17889X](#) [165X17979X](#) [L171373](#) [971-025-](#)
[030R121](#) [300X10989X](#) [165X02609X](#) [165X02639X](#) [165X02689X](#)