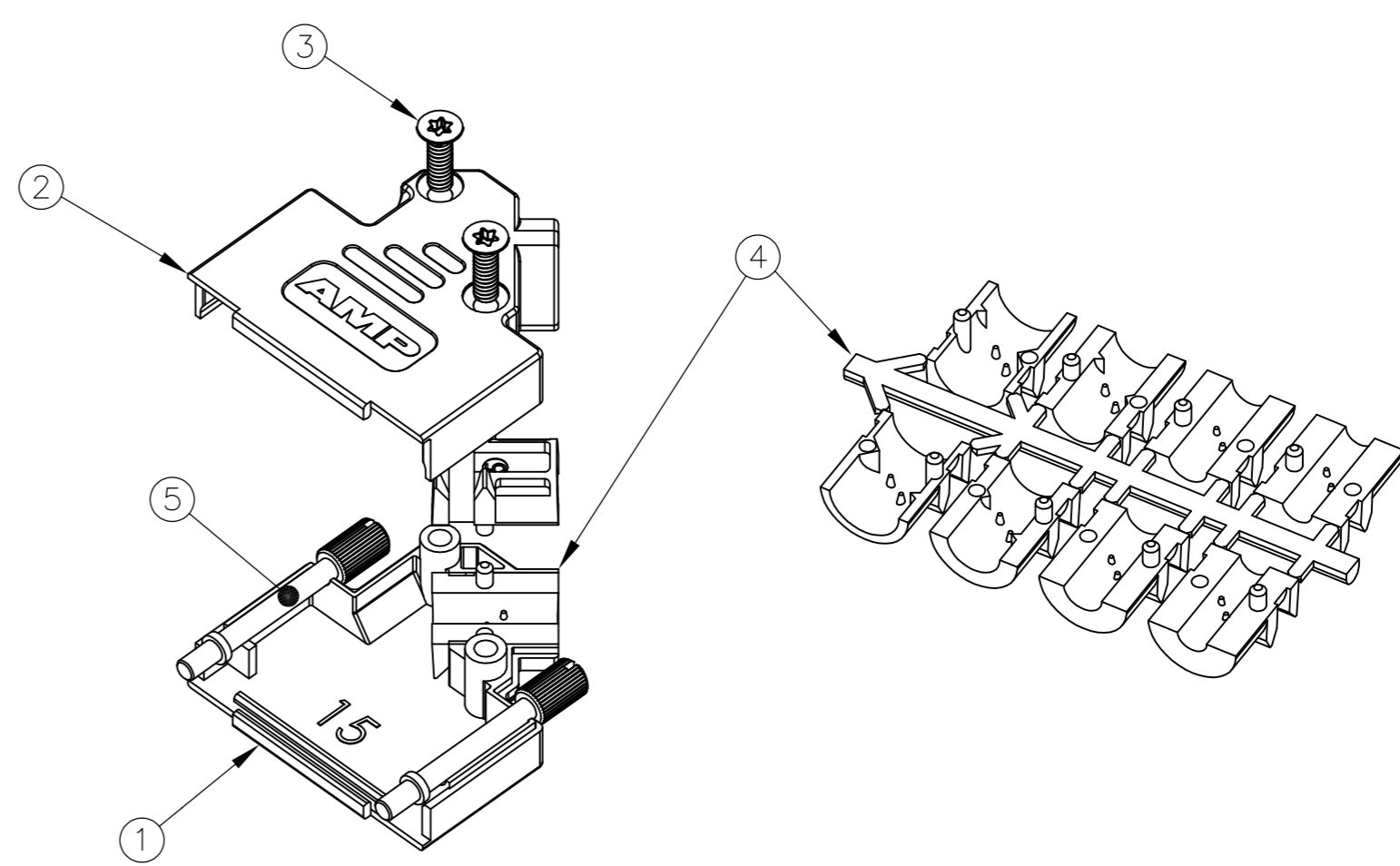
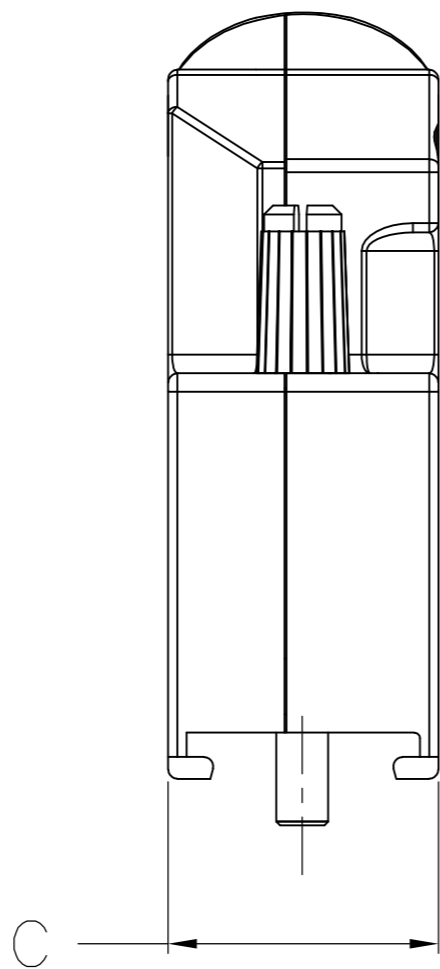
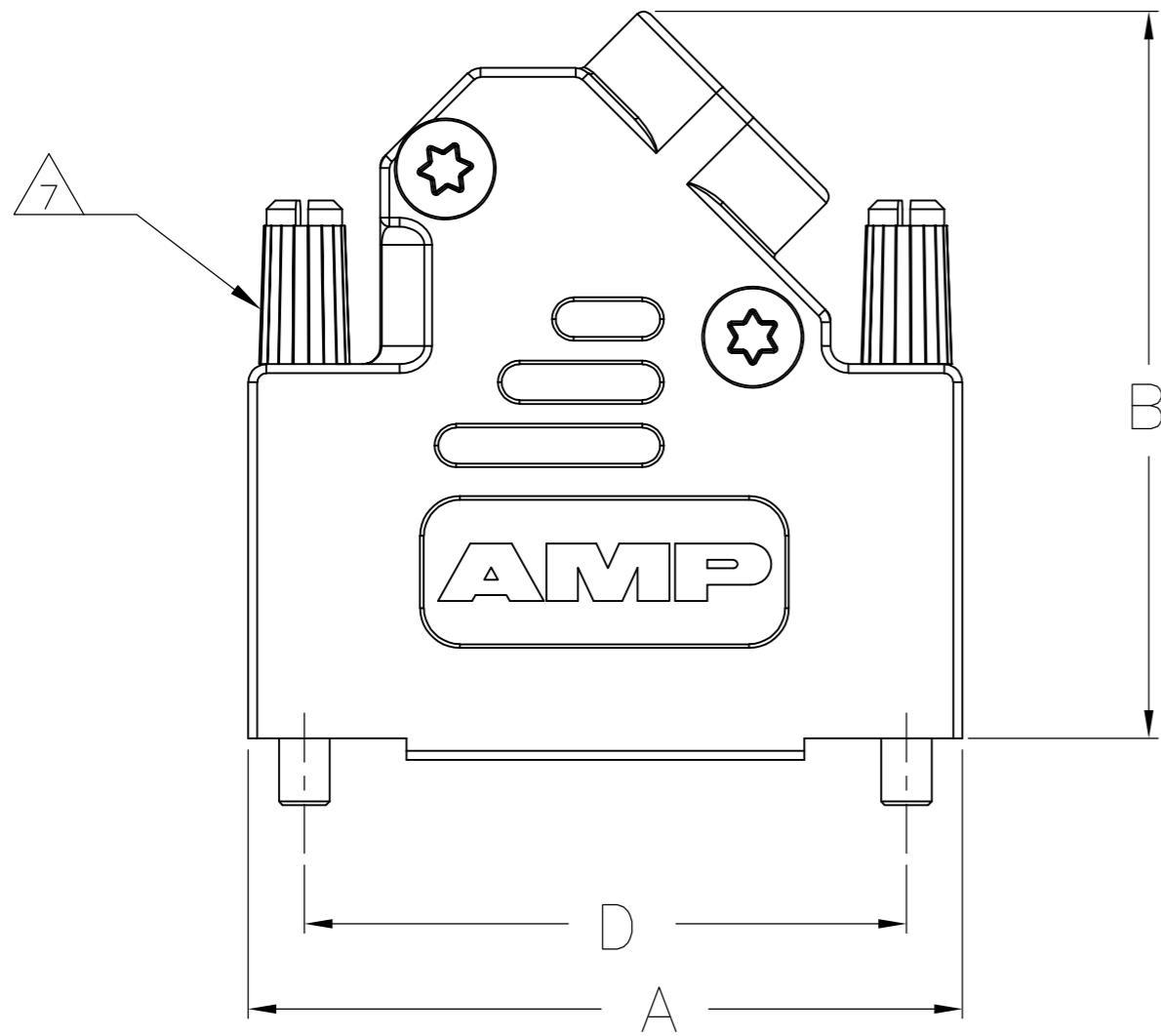


THIS DRAWING IS UNPUBLISHED. RELEASED FOR PUBLICATION 27-02-02 . -
 © COPYRIGHT 2002 By - ALL RIGHTS RESERVED.

LOC		DIST		REVISIONS			
GP	00	P	LTR	DESCRIPTION	DATE	DWN	APVD
		N		REVISED PER ECO-13-000397	31JAN2013	CJV	CWR



1. FOR ASSEMBLY DETAILS, REFER TO LEAFLET 2227518-1.

△7 JACKSCREW QUANTITY:	
9 WAY ASSEMBLY:	1 JACKSCREW
15 WAY ASSEMBLY:	2 JACKSCREWS
25 WAY ASSEMBLY:	2 JACKSCREWS
37 WAY ASSEMBLY:	2 JACKSCREWS

△2 BULK PACKAGED BACKSHELL ASSEMBLIES: ITEM 1, 100 PCS LOOSE IN BOX. ITEMS 2 THRU 5, 100 TIMES QTY SHOWN IN TABLE IN 1 BAG FOR EACH ITEM. ALL BAGS IN 1 BOX WITH (1) 2227518-1 LEAFLET.

8. OPTIONAL CABLE CRIMP KIT AVAILABLE FOR 6.0-9.5 DIAMETER CABLE. SEE 1478764

△3 INDIVIDUALLY PACKAGED SHELL ASSEMBLIES: 1 BAG CONTAINS ALL COMPONENTS FOR 1 COMPLETE ASSEMBLY. 100 BAGS PER BOX, (1) 2227518-1 LEAFLET PER BOX.

4. TERMINATES 4.0-13.0 CABLE DIAMETERS.

5. 15 POSITION SHOWN.

△6 TRIVALENT CHROMIUM CHROMATE COATING OVER ZINC PLATING.

△3	63.5	14.6	40.2	69.7	TORX	4-40 UNC	4	37 WAY	5-1478763-4
△3	47.0	14.6	40.2	53.2	TORX	4-40 UNC	3	25 WAY	5-1478763-3
△3	33.3	14.6	40.2	39.5	TORX	4-40 UNC	2	15 WAY	5-1478763-2
△3	25.0	14.6	36.2	31.0	TORX	4-40 UNC	1	9 WAY	5-1478763-1
△2	47.0	14.6	40.2	53.2	TORX	M3	3	25 WAY	4-1478763-7
△2	33.3	14.6	40.2	39.5	TORX	M3	2	15 WAY	4-1478763-6
△2	25.0	14.6	36.2	31.0	TORX	M3	1	9 WAY	4-1478763-5
△2	63.5	14.6	40.2	69.7	TORX	4-40 UNC	4	37 WAY	3-1478763-7
△2	47.0	14.6	40.2	53.2	TORX	4-40 UNC	3	25 WAY	2-1478763-5
△2	33.3	14.6	40.2	39.5	TORX	4-40 UNC	2	15 WAY	1-1478763-5
△2	25.0	14.6	36.2	31.0	TORX	4-40 UNC	1	9 WAY	1478763-9
PACKAGING	D	C	B	A	SELF TAPPING FIXING SCREW TYPE	JACKSCREW THREAD	SHELL SIZE	POSITION	PART NUMBER

5	JACKSCREW ASSEMBLY	POLYAMIDE, UL94 V2 KNOB	BLACK	△7
		CARBON STEEL SHAFT	△6	
4	STRAIN RELIEF SET	POLYCARBONATE UL94 V0	BLACK	1
3	SELF TAPPING FIXING SCREW	CARBON STEEL	△6	2
2	TOP BACKSHELL	ZINC	NICKEL	1
1	BOTTOM BACKSHELL	ZINC	NICKEL	1
ITEM	DESCRIPTION	MATERIAL	FINISH	QTY

THIS DRAWING IS A CONTROLLED DOCUMENT. DIMENSIONING AND TOLERANCING PER ASME Y14.5M-2009

DWN C. VALENTINE 06JAN2011
 CHK C. ROHDE 06JAN2012
 APVD C. ROHDE 06JAN2012

TE Connectivity

ADK SERIES DIE-CAST BACKSHELL 45 DEGREE ENTRY

SIZE A2 CAGE CODE 00779 C=1478763

SCALE NTS SHEET 1 OF 1 REV N

X-ON Electronics

Largest Supplier of Electrical and Electronic Components

Click to view similar products for [D-Sub Backshells](#) category:

Click to view products by [TE Connectivity](#) manufacturer:

Other Similar products are found below :

[M85049/6-38N](#) [M85049/86-12N03](#) [M85049/90-13P03](#) [70.350.0636.4](#) [70.350.2435.1](#) [72.350.1035.2](#) [72.352.2435.1](#) [73.359.4035.3](#) [829472-1](#)
[PCS-E20W](#) [970-015-040R011](#) [970-025-040R011](#) [971-009-030R121](#) [971-009-040R011](#) [971-015-040R011](#) [1437013-9](#) [1484402-8](#) [156-3025-](#)
[EX](#) [16-500800](#) [165X02659X](#) [165X03329A](#) [165X03399A](#) [165X10259X](#) [165X11759X](#) [165X11889X](#) [165X13019X](#) [165X13029X](#)
[165X13169X](#) [165X13199X](#) [165X13239X](#) [165X13389X](#) [165X13489X](#) [165X14219X](#) [165X14449X](#) [165X17409X](#) [165X17439X](#)
[165X17569X](#) [165X17599X](#) [165X17609X](#) [165X17889X](#) [165X17979X](#) [L171373](#) [971-025-030R121](#) [300X10989X](#) [165X02609X](#)
[165X02639X](#) [165X02689X](#) [165X04219A](#) [165X10469X](#) [165X11279X](#)