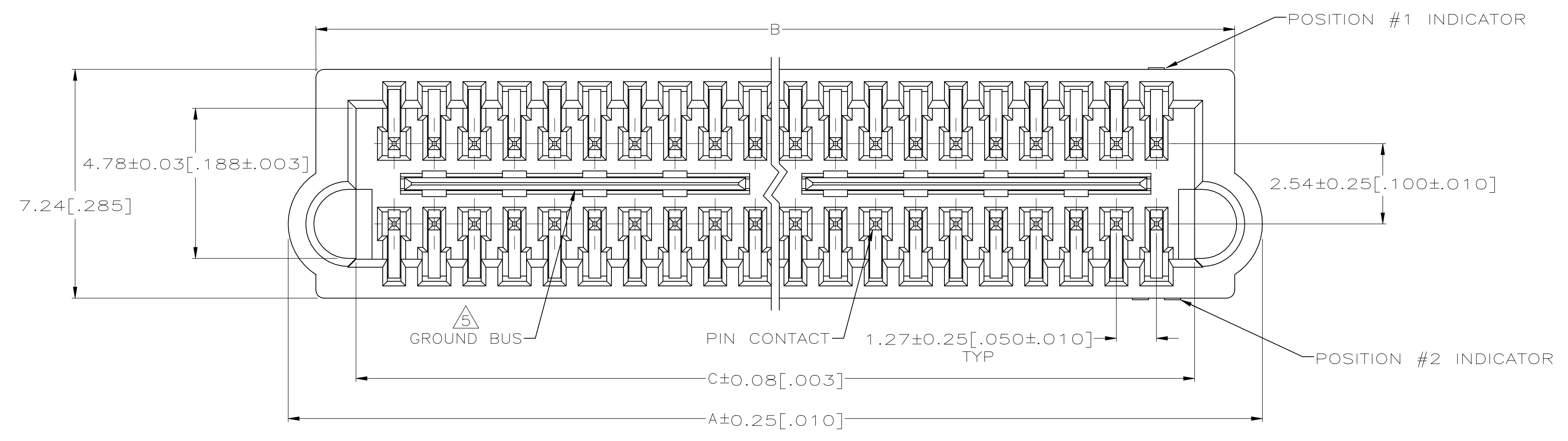
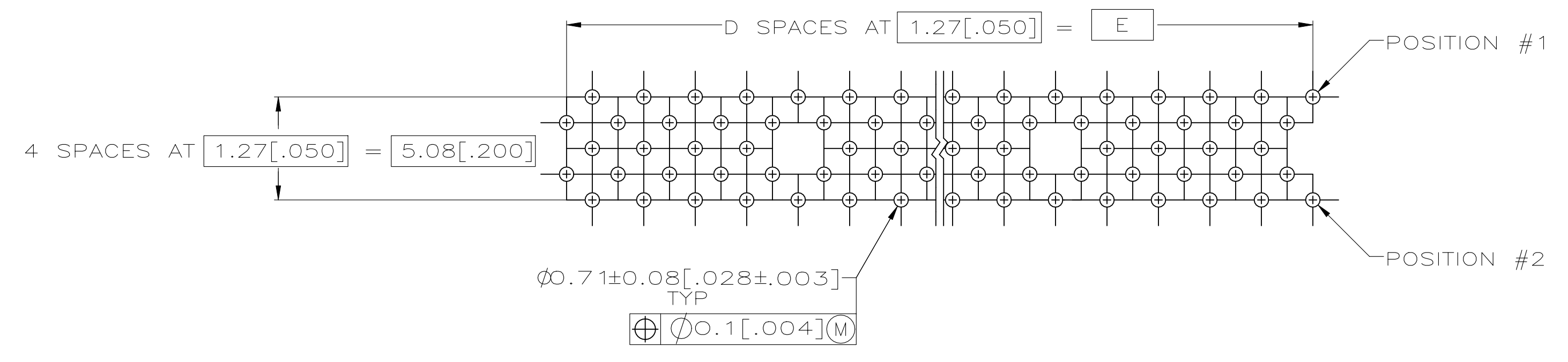
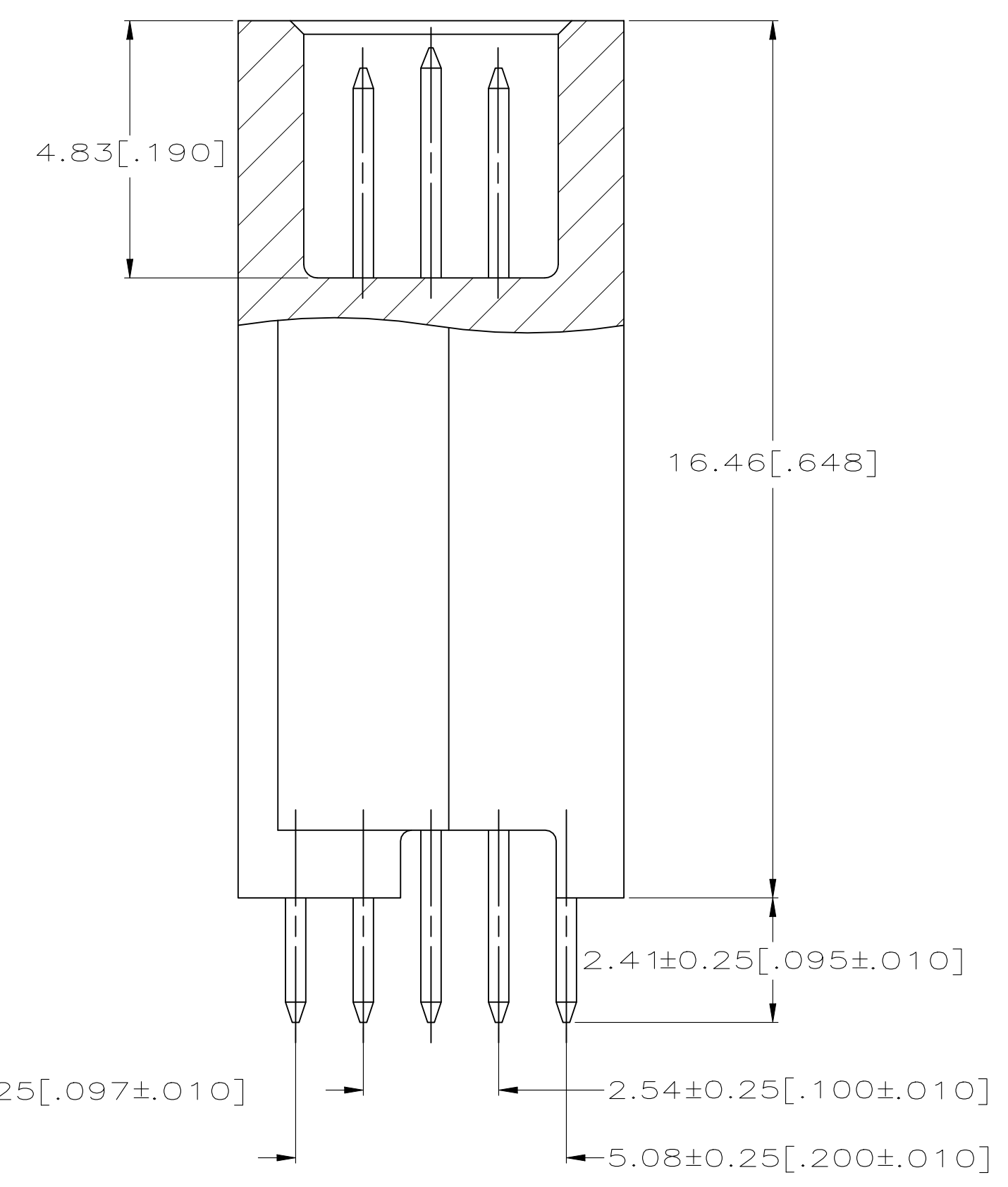
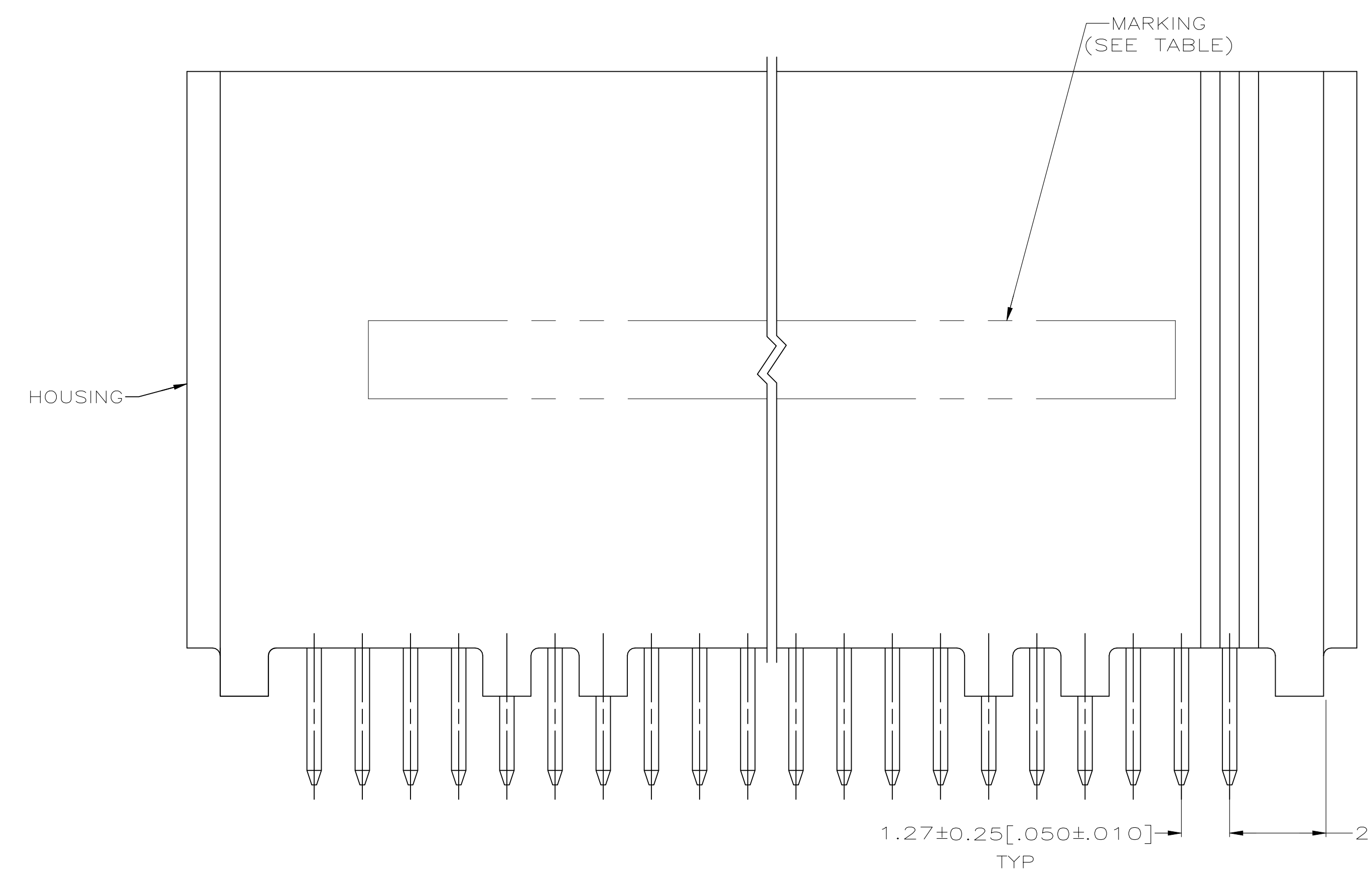


REVISIONS					
P	LTR	DESCRIPTION	DATE	DRN	APVD
S		REVISED PER ECO-20-011414	04JAN2021	AP	SY



- ① HOUSING: HIGH TEMPERATURE THERMOPLASTIC, COLOR: NATURAL OR LIGHT NATURAL.
PIN CONTACTS: PHOSPHOR BRONZE.
GROUND BUSSES: PHOSPHOR BRONZE.
- ② CONTACTS & GROUND BUSES: 0.00076(.000030) MIN. GOLD PER ASTM B 488 ON CONTACT AREA, 0.00254-0.00762(.000100-.000300) MATTE TIN PER ASTM B 545 ON SOLDER TAIL, ALL OVER 0.00127-0.00254(.000050-.000100) MATTE NICKEL PER SAE AMS-QQ-N-290 ON ENTIRE CONTACT.
- ③ AMP AND DATE CODE MARKED IN AREA INDICATED, ON SAME SIDE AS POSITION NUMBER 2 INDICATOR.
- ④ AMP, DATE CODE AND PART NUMBER MARKED IN AREA INDICATED, ON SAME SIDE AS POSITION NUMBER 2 INDICATOR.
- ⑤ ONE GROUND BUS WITH 4 TAILS PER EACH 20 PIN CONTACTS.



RECOMMENDED PC BOARD HOLE LAYOUT (VIEWED FROM CONNECTOR SIDE)

OBSOLETE	③	125.73 [4.950]	99	128.22 [5.048]	130.81 [5.150]	132.44 [5.214]	200	5149009-9
OBSOLETE	③	113.03 [4.450]	89	115.52 [4.548]	118.11 [4.650]	119.74 [4.714]	180	5149009-8
OBSOLETE	③	100.33 [3.950]	79	102.82 [4.048]	105.41 [4.150]	107.04 [4.214]	160	5149009-7
OBSOLETE	③	87.63 [3.450]	69	90.12 [3.548]	92.71 [3.650]	94.34 [3.714]	140	5149009-6
OBSOLETE	③	74.93 [2.950]	59	77.42 [3.048]	80.01 [3.150]	81.64 [3.214]	120	5149009-5
OBSOLETE	④	62.23 [2.450]	49	64.72 [2.548]	67.31 [2.650]	68.94 [2.714]	100	5149009-4
OBSOLETE	③	49.53 [1.950]	39	52.02 [2.048]	54.61 [2.150]	56.24 [2.214]	80	5149009-3
OBSOLETE	③	36.83 [1.450]	29	39.32 [1.548]	41.91 [1.650]	43.54 [1.714]	60	5149009-2
OBSOLETE	③	24.13 [0.950]	19	26.62 [1.048]	29.21 [1.150]	30.84 [1.214]	40	5149009-1
MARKING		E	D	C	B	A	NO OF POS	PART NUMBER

THIS DRAWING IS A CONTROLLED DOCUMENT.

DIMENSIONS: mm [INCHES]	TOLERANCES UNLESS OTHERWISE SPECIFIED:	DIN L VARELA 01-19-05	CHK D DIXON 01-19-05	APVD D DIXON 01-19-05	NAME
0. PLC ± -	1. PLC ± -	2. PLC ± -	3. PLC ± 0.13 [0.005]	4. PLC ± -	ANGLES ± -
MATERIAL	FINISH	SIZE	CAGE CODE	DRAWING NO	RESTRICTED TO
①	②	114-11005	000779	5149009	-
CUSTOMER DRAWING		SCALE	SHEET	OF	REV
		10:1	1	1	S

STE TE Connectivity

PLUG ASSEMBLY, 18.75 [0.738] STACK, 2.41 [0.095] TAIL, BOARD TO BOARD, MICROSTRIP

X-ON Electronics

Largest Supplier of Electrical and Electronic Components

Click to view similar products for [High Speed/Modular Connectors](#) category:

Click to view products by [TE Connectivity](#) manufacturer:

Other Similar products are found below :

[650827-1](#) [74040-1346](#) [1410191-1](#) [1410368-3](#) [1410964-2](#) [1410326-3](#) [1410367-3](#) [1410971-4](#) [1467833-1](#) [2000877-1](#) [2000878-1](#) [2041314-1](#)
[2065387-1](#) [2187307-1](#) [163P](#) [1934290-1](#) [2000875-1](#) [2065917-1](#) [2102736-2](#) [FSR-40](#) [2169868-2](#) [22354-8](#) [437-5040-000](#) [5-1393565-0](#) [039-](#)
[0246-000](#) [0761601016](#) [0784461022](#) [10123159-12ELF](#) [030-2415-003/100 PK](#) [030-7380-004](#) [030-2494-001](#) [532939-1](#) [5532901-3](#) [3-1469268-](#)
[7](#) [74748-102LF](#) [10041743-101LF](#) [10066670-100002LF](#) [1-533915-1](#) [249-4515-000](#) [7-1469373-3](#) [DL2-2J/S](#) [2000713-8](#) [2000713-7](#)
[10124313-101LF](#) [3011-21](#) [757105208](#) [EBTF-4-10-2.0-S-RA-1](#) [430305-001](#) [4395800100](#) [8140115](#)