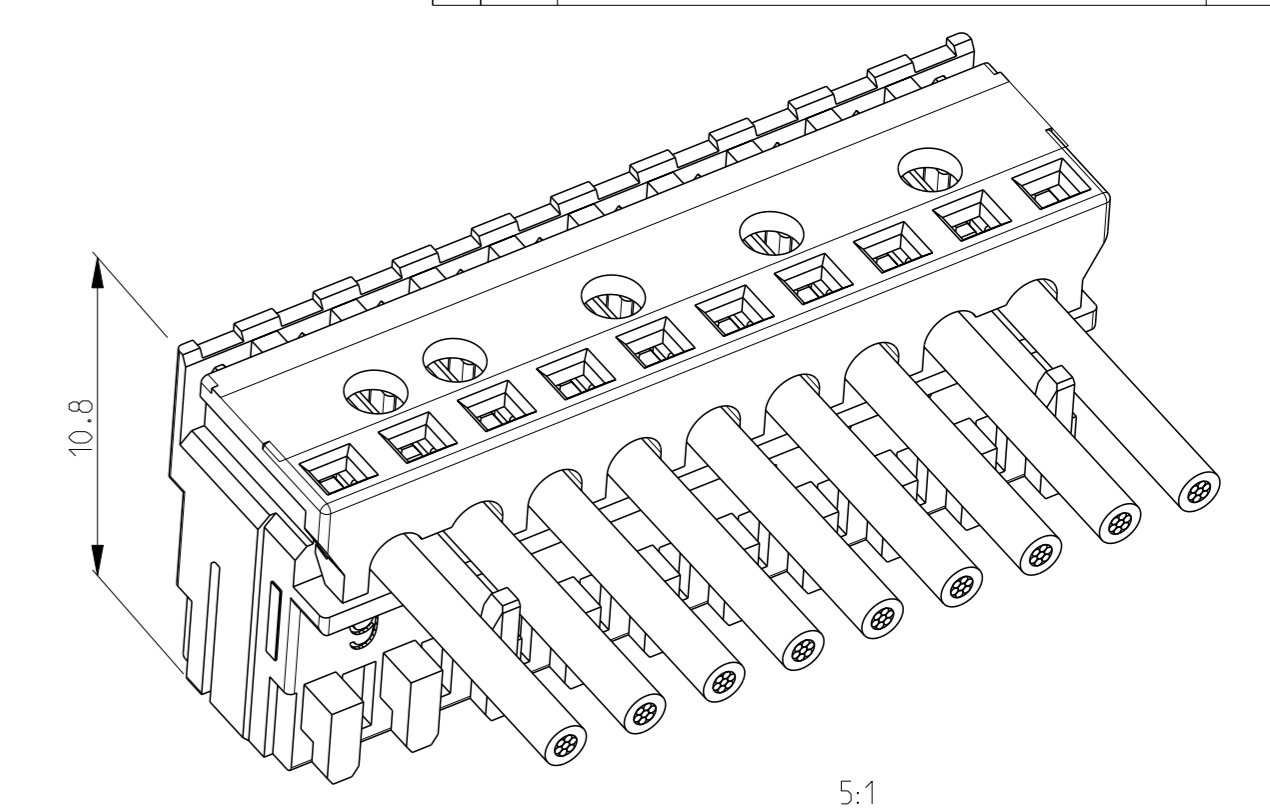
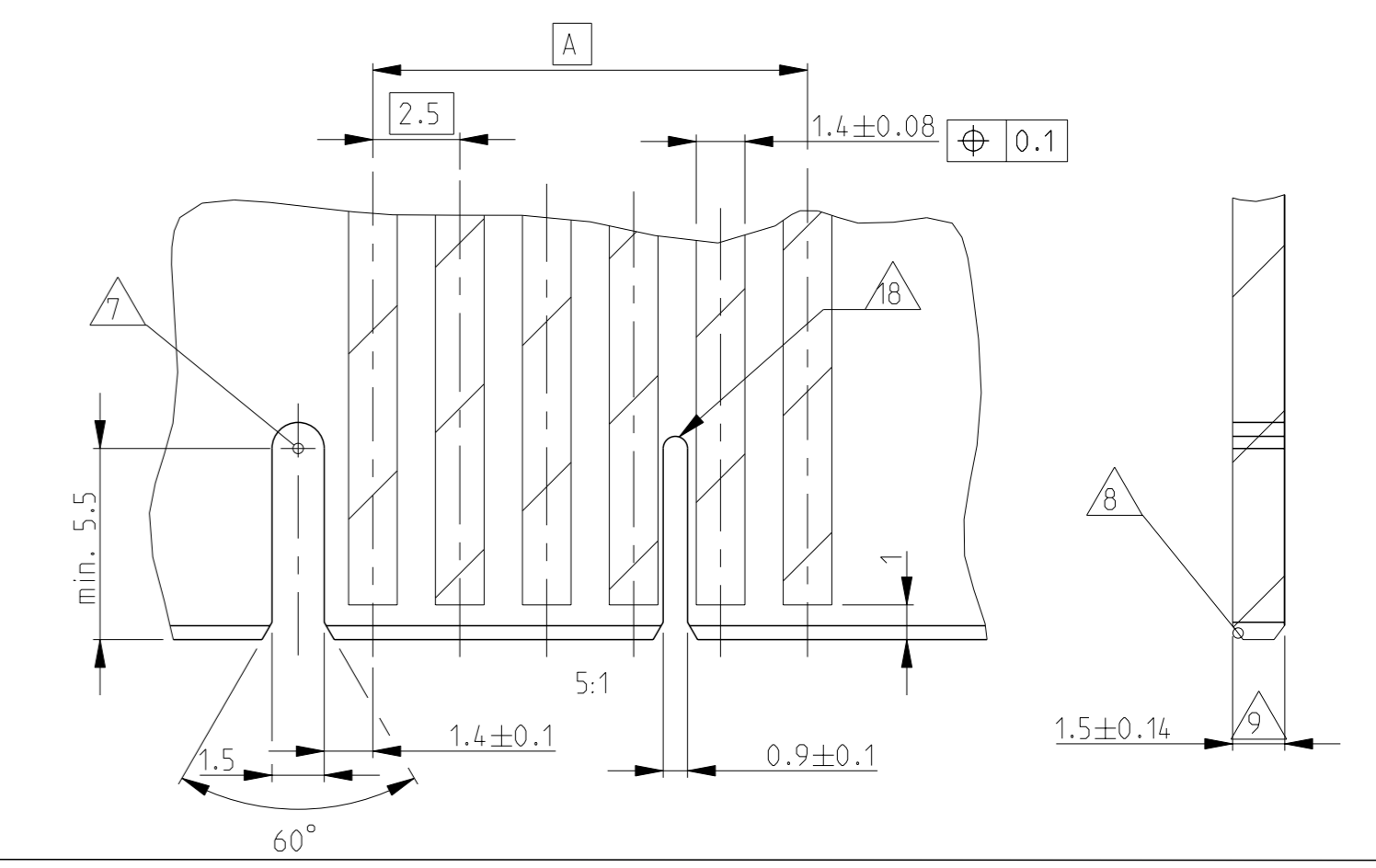


- △27 DIMENSION AVAILABLE FOR PART X-2304525-X, X-2304526-X.
- △26 WITH SPECIAL CHAIN FEATURE
- △25 SIDE KEYING ON LAST CAVITY THICKNESS=1.5mm
- △24 SIDE KEYING ON CAVITY 1 THICKNESS=1.5mm
- △19 COLOR STRIP ON COVER OF HOUSING, NOT THE COLOR OF HOUSING.
- △18 SLOT, THICK, BETWEEN CAVITIES
- △17 KEYING, THICK, BETWEEN POSITION
- △16 SLOT, SLIM, FOR SIDE KEYING, LAST CAVITY
- △15 SLOT, SLIM, FOR SIDE KEYING, SIDE CAVITY 1
- △14 SIDE KEYING, SLIM, ON LAST CAVITY
- △13 SIDE KEYING, SLIM, ON CAVITY 1
- △12 KEYING SLIM BETWEEN POSITIONS
- △11 PRELIMINARY PART NOT RELEASED FOR PRODUCTION
- △10 TE LOGO
- △9 INCLUSIVE COPPER LOADING
- △8 PCB PREFERABLY CHAMFERED
- △7 SLOT, THICK, FOR SIDE KEYING
- △6 SIDE KEYING, THICK, ON LAST CAVITY
- 5 WIRE RANG: 0.22-0.35mm² SEE APPLICATION SPEC. 114-18467
- △4 IEC60695-2-11 / IEC60335-1 GLOW WIRE TEST 750 °C WITHOUT FLAME
- △3 X..CAVITY LOADED WITH CONTACT
O..CAVITY WITHOUT CONTACT
- 2 MATING PART: PCB (WITH FRAMES ACC. RAST 2.5 E.G. PN 964 575/576
TAB HEADER (FOR EXAMPLE: X-1971921/922-Y)
- △1 KEYING RIBS; CUTTING WITH TERMINATION MACHINE POSSIBLE

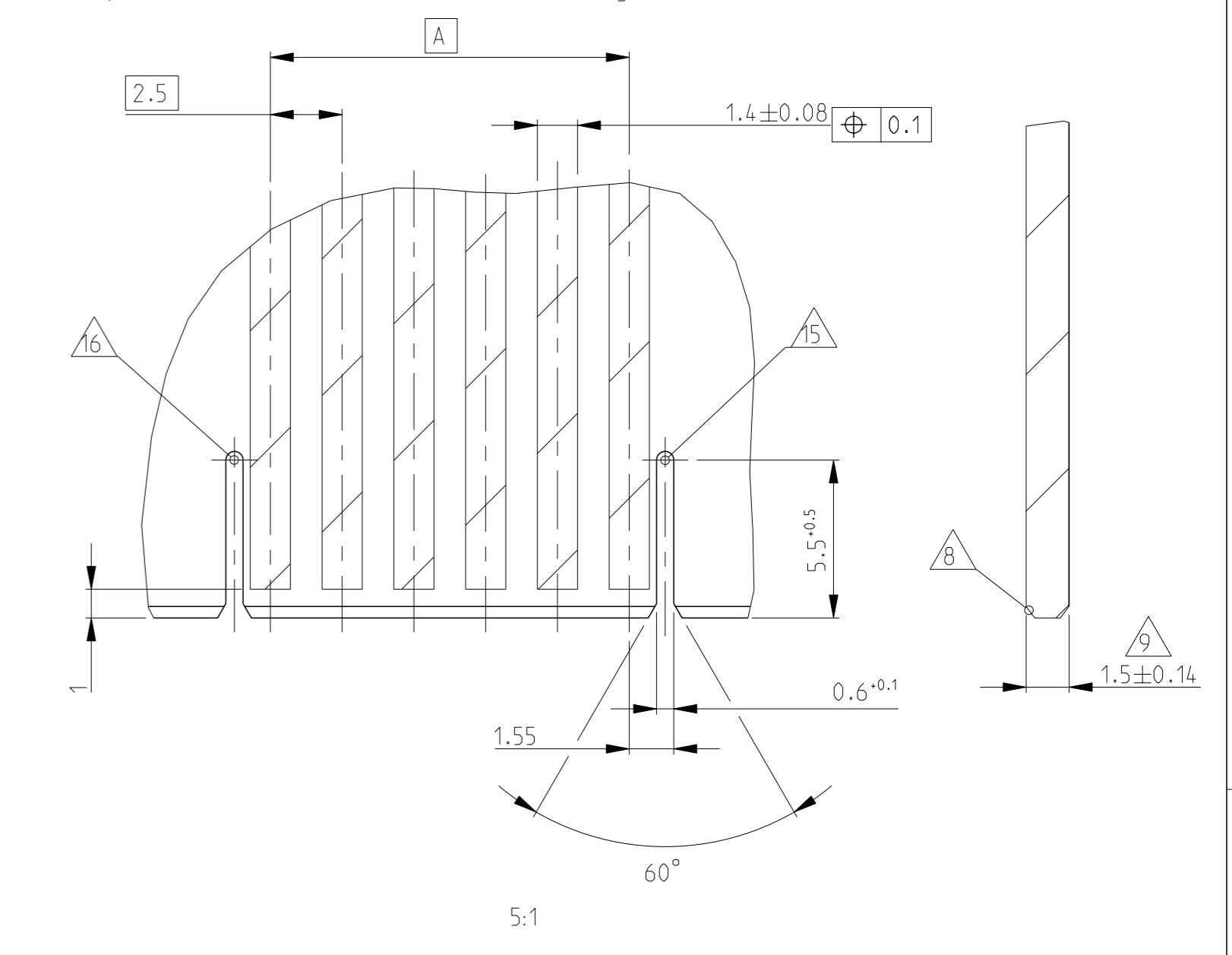
LOC	DIST	REVISIONS				
A1	-	REV	DESCRIPTION	DATE	OWN	APVD
		D51	ECR-20-100617	05NOV2020	W W	FL
		D52	ECR-20-101062	17DEC2020	P J	FL
		D53	ECR-21-100373	01FEB2021	S M	FL



PCB LAYOUT KEYED / CONNECTED ONLY WITH ADDITIONAL FRAME (THICK KEYING)
Leiterplattenanschluss kodiert / nur in Verbindung mit zusätzlichem Rahmen



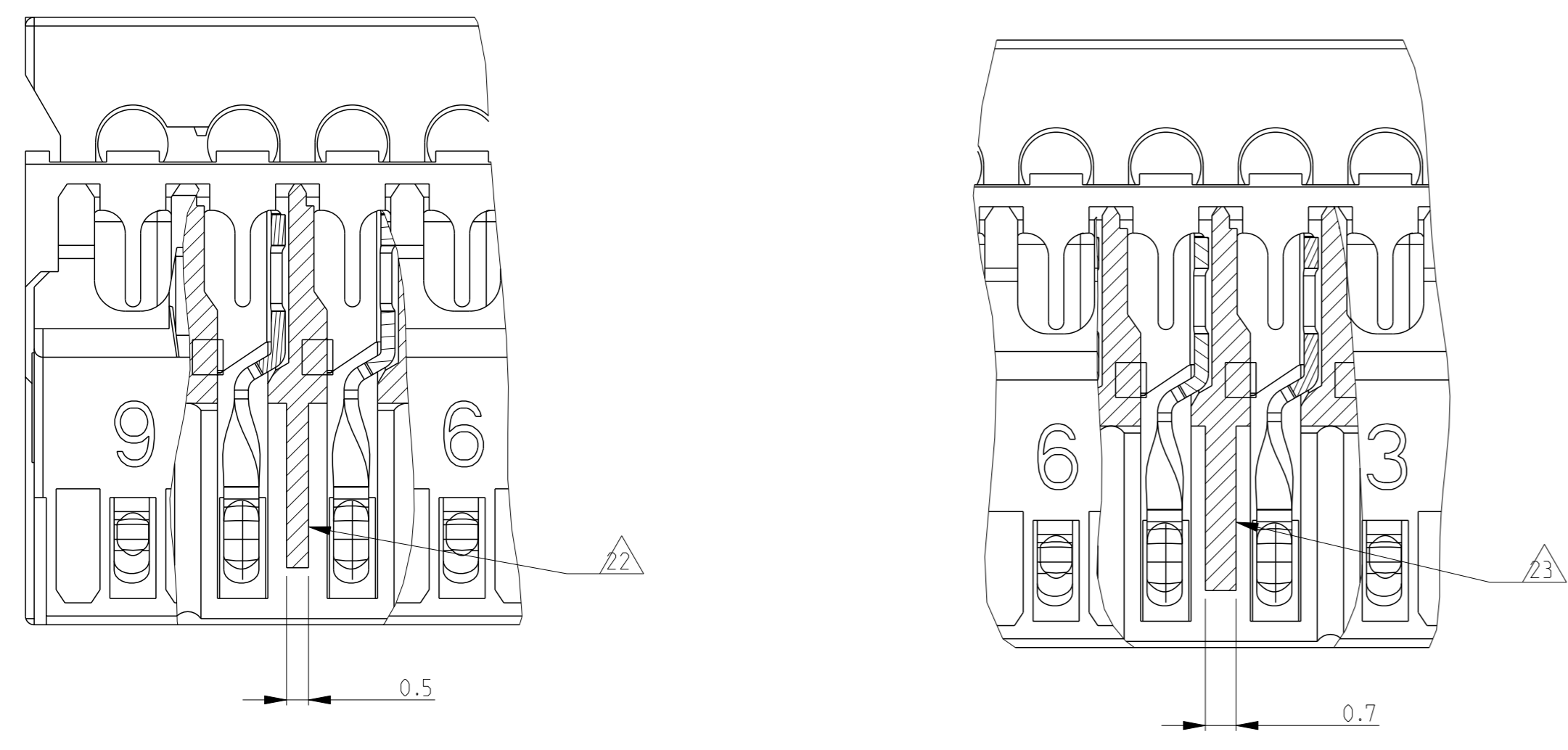
PCB LAYOUT KEYED / CONNECTED ONLY WITH ADDITIONAL FRAME (SLIM KEYING)
Leiterplattenanschluss kodiert / nur in Verbindung mit zusätzlichem Rahmen



OTHER NOTE SEE SHEET 3 OF 3.

THIS DRAWING IS A CONTROLLED DOCUMENT.		OWN: H. Karabiyik 24MAY2002	 TE Connectivity
DIMENSIONS: mm		CHK: B. Schnaubelt 24MAY2002	
TOLERANCES UNLESS OTHERWISE SPECIFIED:		APVD: T. Klenner 24MAY2002	NAME: AMP DUOPLUG 2.5 MARK II FEMALE CONNECTOR 3-20 POSITION SELECTIVE LOADED
0 PLC ±0.2	1 PLC ±0.2	PRODUCT SPEC	SIZE: 114-18467
2 PLC ±0.2	3 PLC ±0.2	APPLICATION SPEC	SCALE: 10:1
4 PLC ±	ANGLES ±°	WEIGHT	SHEET 1 OF 3
MATERIAL	FINISH	Customer Drawing	REV: D53

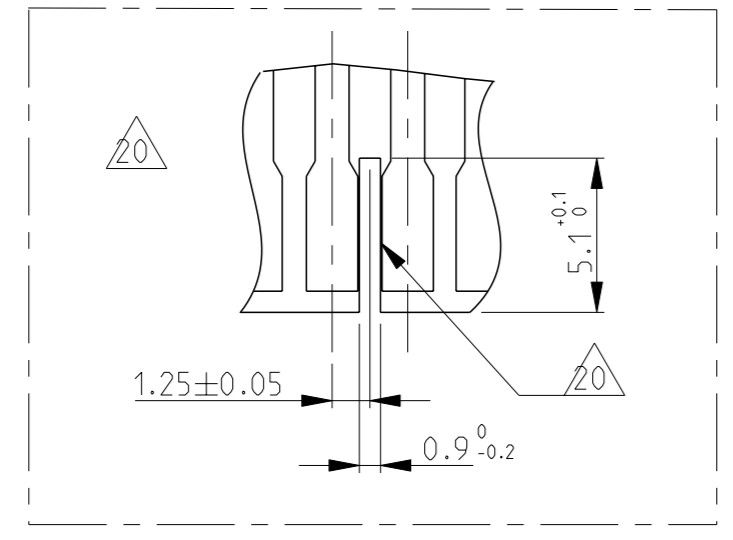
LOC	DIST	REVISIONS			
P	LYR	DESCRIPTION	DATE	OWN	APVD
-	-	SEE SHEET 1	-	-	-



KEYING $\Delta 22$

KEYING $\Delta 23$

- $\Delta 23$ KEYING. SPECIAL THICK. BETWEEN POSITION
- $\Delta 22$ KEYING. SPECIAL THIN. BETWEEN POSITION
- $\Delta 21$ SLOT FOR KEYING SPECIAL. BETWEEN POSITION
- $\Delta 20$ RECOMMENDED PCB CUTOFF DIMENSION FOR THE PN X-2304527-Y AND X-2304528-Y



GWEPT 750°C NO FLAME & UL94-V0, SILVER PLATED VERSION																													
Blue															X	0	X	3	5	9.9							5-2369989-3	$\Delta 21$	
															X	0	X										4-2369989-3	$\Delta 21$	
Color Code	20	19	18	17	16	15	14	13	12	11	10	9	8	7	6	5	4	3	2	1	POS. Polzahl	DIM A	DIM B	$\Delta 22$	$\Delta 21$	$\Delta 23$	$\Delta 22$	PN $\Delta 26$ Bestell-Nr.	
	KAMMERBESTUECKUNG (CAVITIES LOADED) $\Delta 3$																												

2	SEE TABLE	CONTACT/Kontakt	CuSn	SILVERED
1	siehe Tabelle	HOUSING/Federleistengeh.	HIGH TEMP PLASTIC $\Delta 4$	NATUR/Natur
POS.	PN Bestell-Nr.	DESCRIPTION Beschreibung	MATERIAL	COLOUR/FINISH Farbe/Oberflaeche

GWEPT 750°C NO FLAME & UL94-V0, TIN PLATED VERSION																																						
Blue															X	0	X	0	X	0	X	0	X	0	X	0	X	13	30	34.9							1-2304528-3	
															X	0	X	X	X	X	X	X	X	X	X	X	X										2304528-3	
															X	X	X	0	X	0	X	0	X	0	X	0	X										3-2304528-1	
															X	0	X	0	X	0	0	0	X	X	X												2-2304528-1	
Orange															X	0	X	0	X	0	X	0	X	X	X												1-2304528-1	
Green															X	0	X	0	X	0	X	0	X	0	X												2304528-1	
															X	X	X	0	X	0	X	0	X	X	X												2-2304528-0	
															X	0	X	0	X	0	X	0	X	0	X												1-2304528-0	
GREEN															X	0	X	0	X	0	X	0	X													4-2304527-9	1/2	
															X	0	X	0	X	0	X	0	X													3-2304527-9		
															X	0	X	X	0	X	X	0	X													2-2304527-9		
Black															X	X	0	X	0	X	X	0	X													1-2304527-9	2/3	
Blue															X	X	X	X	X	X	0	X													2304527-9	2/3		
															X	0	X	0	X	0	X	0	X													4-2304527-7		
															X	X	X	0	X	X	X														3-2304527-7			
Black															X	X	X	X	0	0	X													2-2304527-7	2/3			
Green															X	0	X	0	X	0	X	0	X												1-2304527-7			
Blue															X	0	X	0	X	0	X	0	X												2304527-7			
Red															X	0	X	X	0	X														7-2304527-6	2/3			
Red															X	X	0	X	0	X													6-2304527-6					
Black															X	0	X	X	0	X													5-2304527-6					
Green															X	X	0	X	0	X													4-2304527-6					
															0	0	X	X	X	X													3-2304527-6					
															X	0	X	X	0	X													2-2304527-6					
Blue															X	0	X	0	X	X													1-2304527-6					
Red															X	0	X	X	0	X													2304527-6					
Red															X	X	X	0	X														4-2304527-5					
Red															X	0	0	0	X								3/4						3-2304527-5					
															X	0	X	0	X														2-2304527-5					
															X	0	X	0	X														1-2304527-5					
Green															X	0	X	0	X														2304527-5					
Black															X	X	0	0															2304527-4	3/4				
Red															X	0	X																8-2304527-3	2/3				
Red															X	0	X																7-2304527-3	1/2				
															X	0	X																6-2304527-3	2/3				
Blue															X	0	X																5-2304527-3					
															X	0	X																4-2304527-3					
Black															X	0	X																3-2304527-3	1/2				
Red															X	0	X																2-2304527-3	2/3				
Brown															X	0	X																1-2304527-3					
Orange															X	0	X																2304527-3					
Color Code	20	19	18	17	16	15	14	13	12	11	10	9	8	7	6	5	4	3	2	1	POS. Polzahl	DIM A	DIM B	$\Delta 22$	$\Delta 21$	$\Delta 23$	$\Delta 22$	PN $\Delta 26$ Bestell-Nr.										
	KAMMERBESTUECKUNG (CAVITIES LOADED) $\Delta 3$																																					

2	SEE TABLE	CONTACT/Kontakt	CuSn	TINNED/verzinkt
1	siehe Tabelle	HOUSING/Federleistengeh.	HIGH TEMP PLASTIC $\Delta 4$	NATUR/Natur
POS.	PN Bestell-Nr.	DESCRIPTION Beschreibung	MATERIAL	COLOUR/FINISH Farbe/Oberflaeche

THIS DRAWING IS A CONTROLLED DOCUMENT. **STC** TE Connectivity

DIMENSIONS: mm
 TOLERANCES UNLESS OTHERWISE SPECIFIED:
 0 PLC ±0.2
 1 PLC ±0.2
 2 PLC ±0.2
 3 PLC ±
 4 PLC ±
 ANGLES FINISH

OWN: H. Karabiyik 24MAY2002
 CHK: B. Schnaubelt 24MAY2002
 APVD: T. Klenner 24MAY2002

NAME: AMP DUOPLUG 2.5 MARK II FEMALE CONNECTOR 3-20 POSITION SELECTIVE LOADED
 SIZE: 116-18467
 WEIGHT: -
 SCALE: 10:1

CUSTOMER DRAWING
 SHEET 3 OF 3
 REV 53

X-ON Electronics

Largest Supplier of Electrical and Electronic Components

Click to view similar products for [Headers & Wire Housings](#) category:

Click to view products by [TE Connectivity](#) manufacturer:

Other Similar products are found below :

[892-18-020-10-001101](#) [58102-G61-06LF](#) [582553-1](#) [0009485154](#) [009176003701906](#) [0050291907](#) [LY20-4P-DT1-P1E-BR](#) [02.125.8002.8](#)
[609-3404](#) [61062-3](#) [61082-181009](#) [622-3653LF](#) [63453-116](#) [636-1030](#) [636-1427](#) [636-3427](#) [636-4007](#) [641938-9](#) [641991-4](#) [644827-2](#) [65817-](#)
[010LF](#) [65817-015LF](#) [65863-015LF](#) [66207-023LF](#) [67095-007LF](#) [67601157](#) [68645-018](#) [68648-049](#) [70.362.1628.0](#) [70-4210](#) [70-4226B](#) [70-](#)
[4853B](#) [707-5020](#) [707-5028](#) [71.350.2428.0](#) [71918-208LF](#) [71961-016LF](#) [733-134](#) [733-162](#) [754199-000](#) [760-3052](#) [787-8014-00](#) [79531-3000](#)
[FCN-360C032-B](#) [FCN-367T-T012/H](#) [FCN-723D010/2](#) [80.063.4001.1](#) [800-90-001-10-001000](#) [800-90-010-10-002000](#) [801-43-002-10-013000](#)