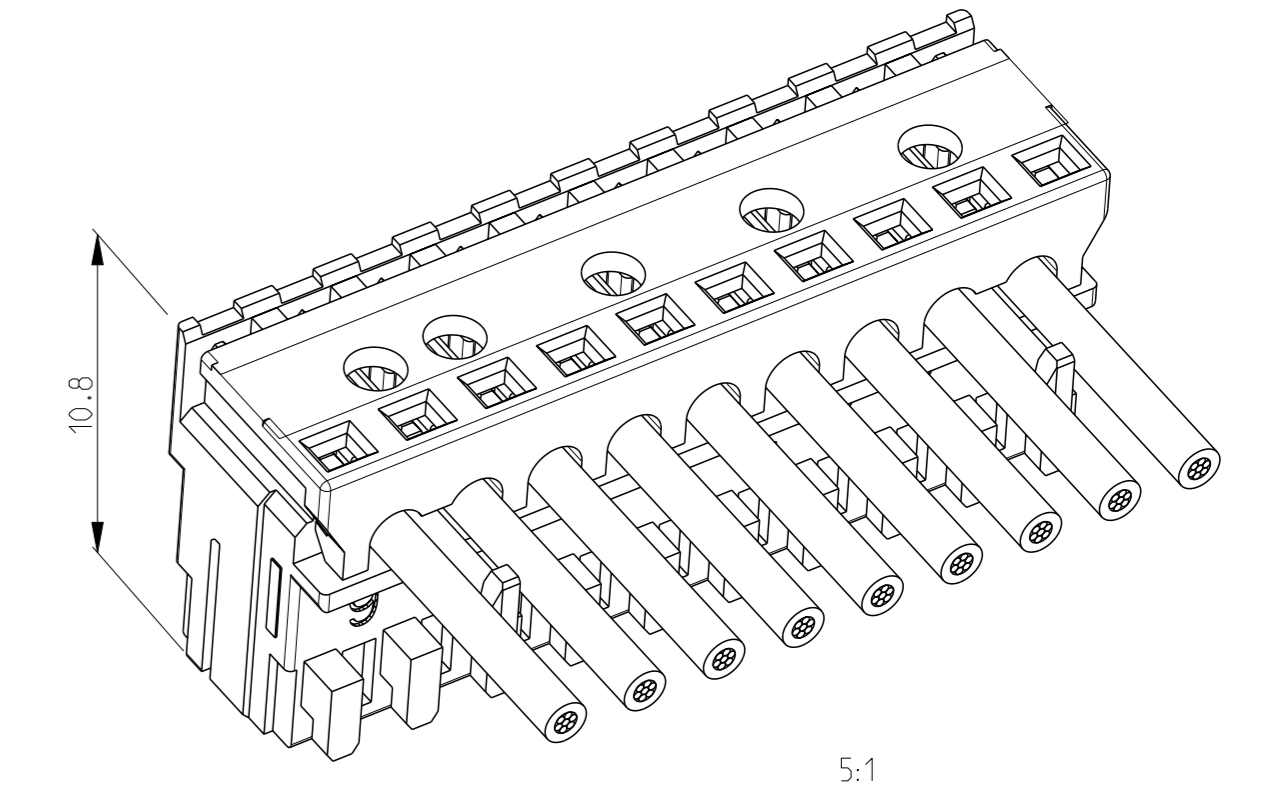
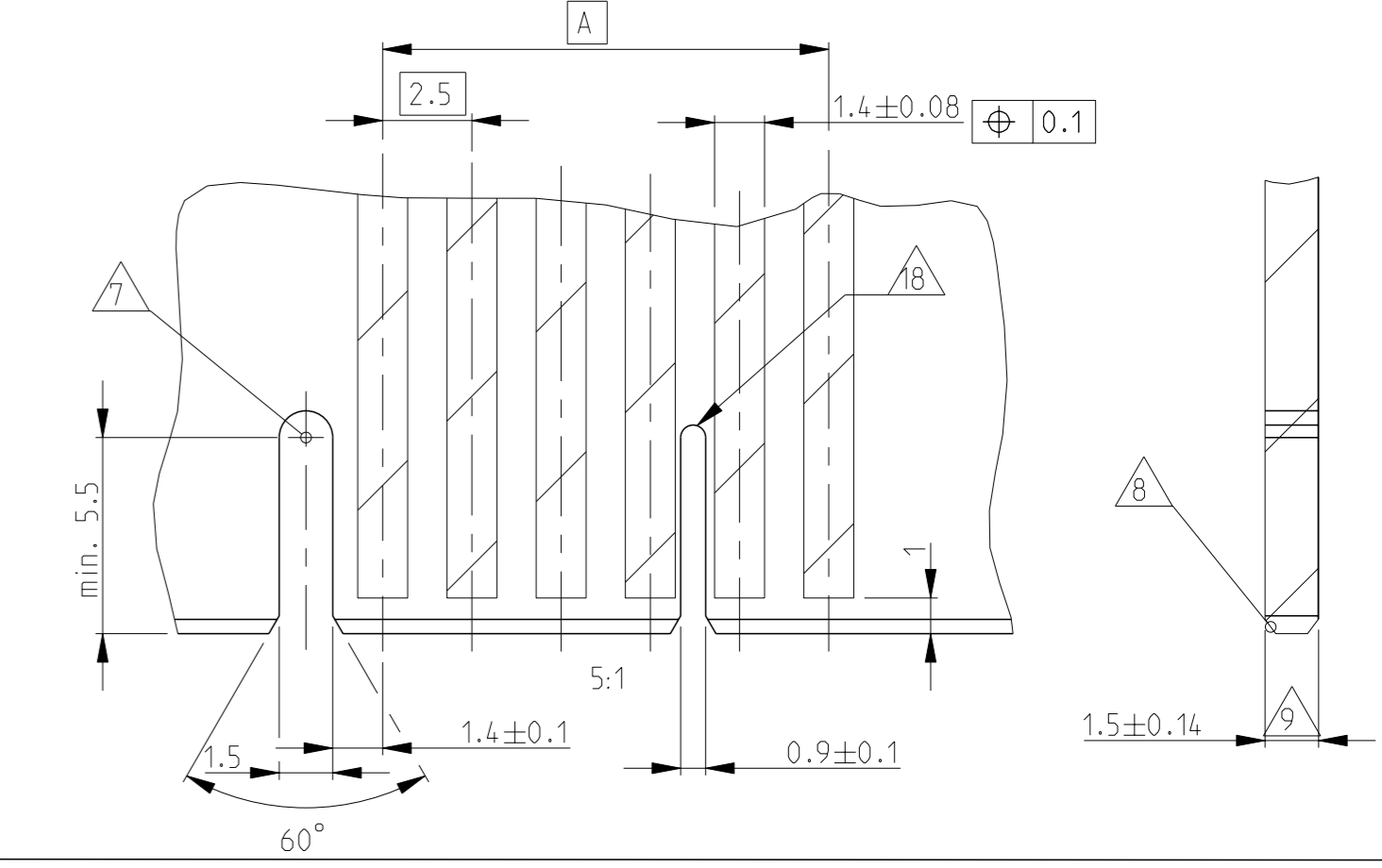


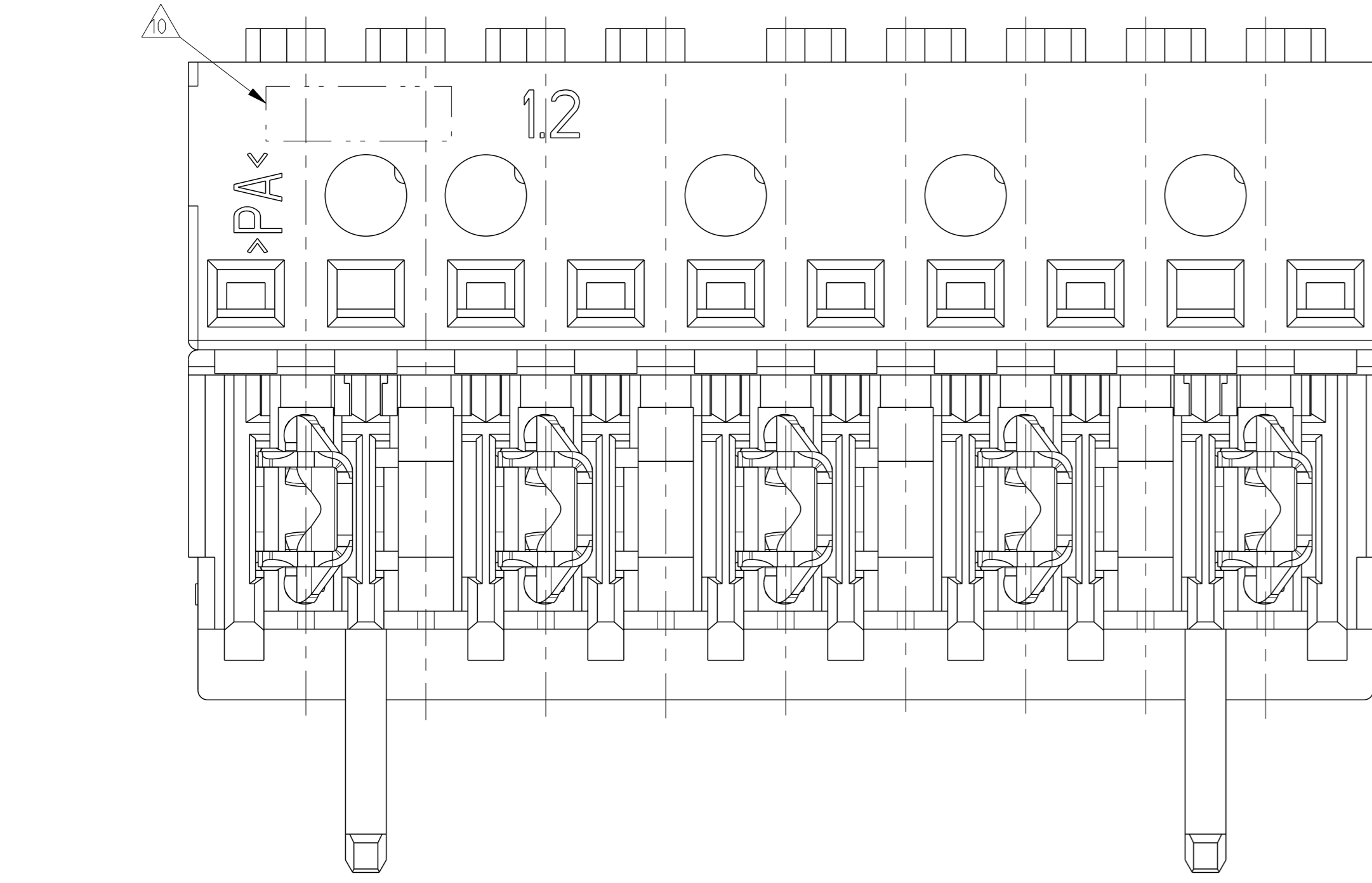
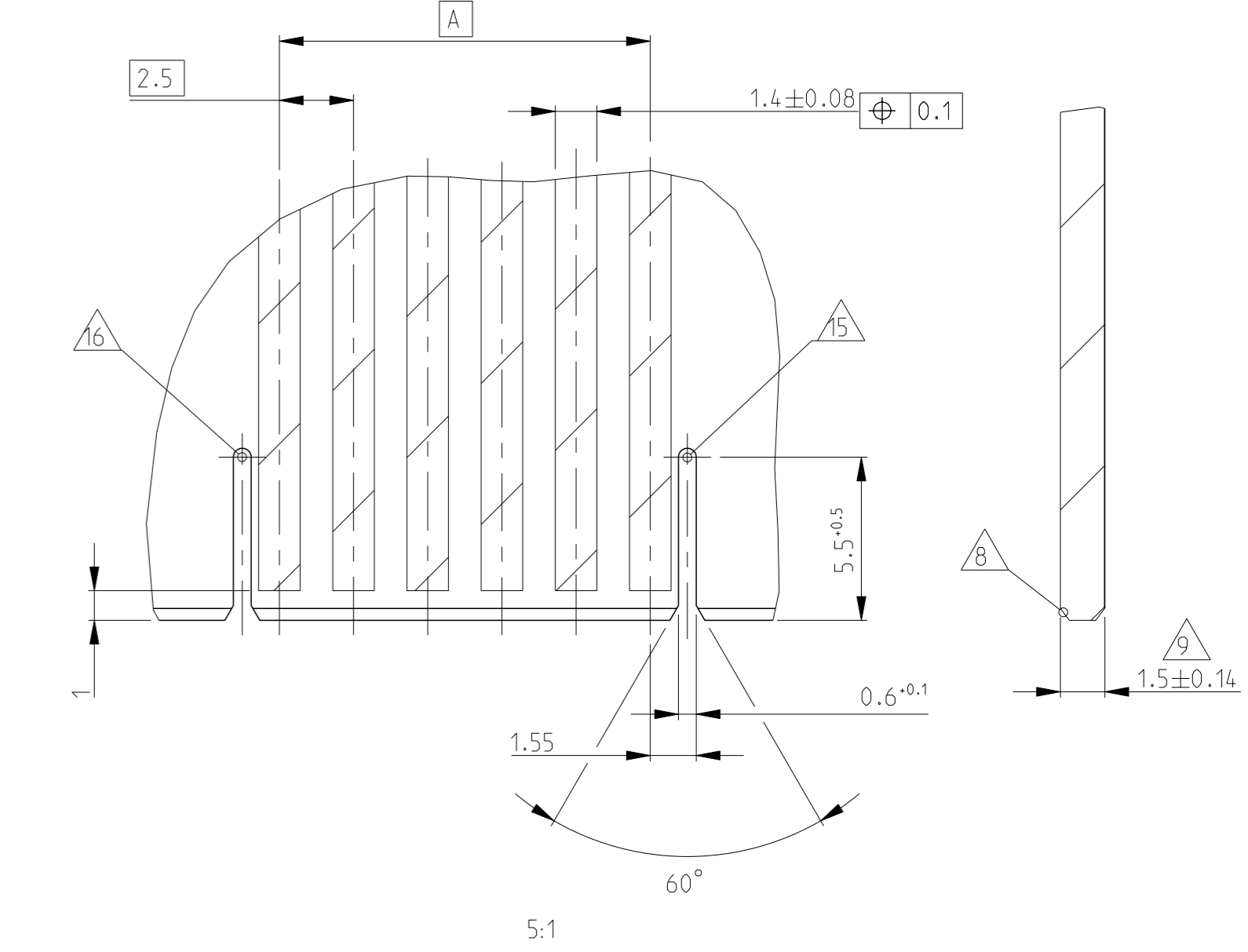
| LOC | DIST | REVISIONS | | | | |
|-----|------|-----------|---------------|-----------|-----|------|
| A1 | - | REV | DESCRIPTION | DATE | OWN | APVD |
| | | D51 | ECR-20-100617 | 05NOV2020 | W W | FL |
| | | D52 | ECR-20-101062 | 17DEC2020 | P J | FL |
| | | D53 | ECR-21-100373 | 01FEB2021 | S M | FL |



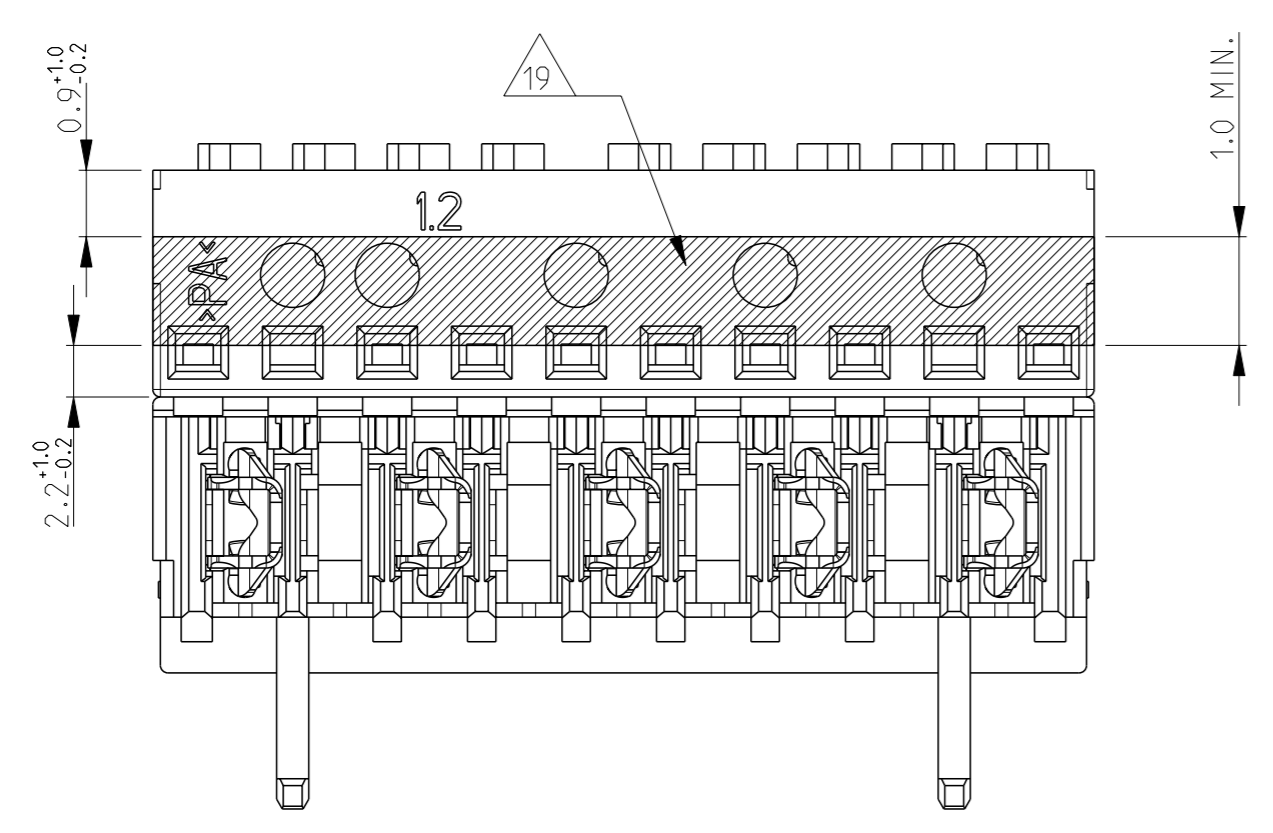
PCB LAYOUT KEYED / CONNECTED ONLY WITH ADDITIONAL FRAME (THICK KEYING)
 Leiterplattenanschluss kodiert / nur in Verbindung mit zusätzlichem Rahmen



PCB LAYOUT KEYED / CONNECTED ONLY WITH ADDITIONAL FRAME (SLIM KEYING)
 Leiterplattenanschluss kodiert / nur in Verbindung mit zusätzlichem Rahmen



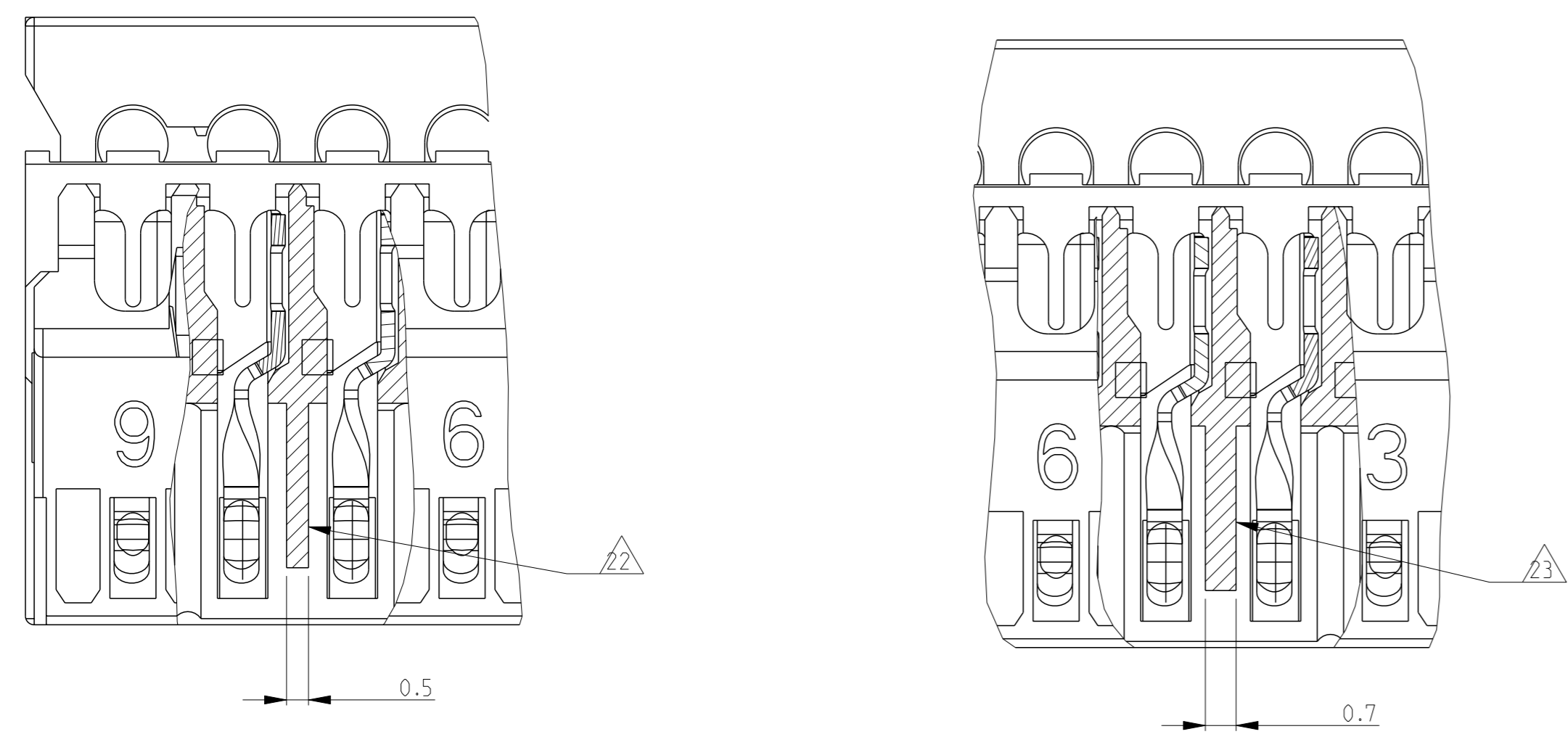
- 27 DIMENSION AVAILABLE FOR PART X-2304525-X, X-2304526-X.
- 26 WITH SPECIAL CHAIN FEATURE
- 25 SIDE KEYING ON LAST CAVITY THICKNESS=1.5mm
- 24 SIDE KEYING ON CAVITY 1 THICKNESS=1.5mm
- 19 COLOR STRIP ON COVER OF HOUSING, NOT THE COLOR OF HOUSING.
- 18 SLOT, THICK, BETWEEN CAVITIES
- 17 KEYING, THICK, BETWEEN POSITION
- 16 SLOT, SLIM, FOR SIDE KEYING, LAST CAVITY
- 15 SLOT, SLIM, FOR SIDE KEYING, SIDE CAVITY 1
- 14 SIDE KEYING, SLIM, ON LAST CAVITY
- 13 SIDE KEYING, SLIM, ON CAVITY 1
- 12 KEYING SLIM BETWEEN POSITIONS
- 11 PRELIMINARY PART NOT RELEASED FOR PRODUCTION
- 10 TE LOGO
- 9 INCLUSIVE COPPER LOADING
- 8 PCB PREFERABLY CHAMFERED
- 7 SLOT, THICK, FOR SIDE KEYING
- 6 SIDE KEYING, THICK, ON LAST CAVITY
- 5 WIRE RANG: 0.22-0.35mm² SEE APPLICATION SPEC. 114-18467
- 4 IEC60695-2-11 / IEC60335-1 GLOW WIRE TEST 750 °C WITHOUT FLAME
- 3 X..CAVITY LOADED WITH CONTACT
O..CAVITY WITHOUT CONTACT
- 2 MATING PART: PCB (WITH FRAMES ACC. RAST 2.5 E.G. PN 964 575/576
TAB HEADER (FOR EXAMPLE: X-1971921/922-Y)
- 1 KEYING RIBS; CUTTING WITH TERMINATION MACHINE POSSIBLE



OTHER NOTE SEE SHEET 3 OF 3.

| | | | |
|---|--|------------------------------|--|
| THIS DRAWING IS A CONTROLLED DOCUMENT. | | OWN: H. Karabiyik 24MAY2002 | TE Connectivity NAME: AMP DUOPLUG 2.5 MARK II FEMALE CONNECTOR 3-20 POSITION SELECTIVE LOADED |
| DIMENSIONS: mm | | CHK: B. Schnaubelt 24MAY2002 | |
| TOLERANCES UNLESS OTHERWISE SPECIFIED: | | APVD: T. Klenner 24MAY2002 | PRODUCT SPEC: 108-18785 |
| 0 PLC ±0.2 1 PLC ±0.2 2 PLC ±0.2 3 PLC ±0.2 4 PLC ± ANGLES FINISH ±° | | APPLICATION SPEC: 114-18467 | SIZE: 114-18467 |
| MATERIAL: - | | WEIGHT: - | RESTRICTED TO: - |
| Customer Drawing | | SCALE: 10:1 | SHEET 1 OF 3 |

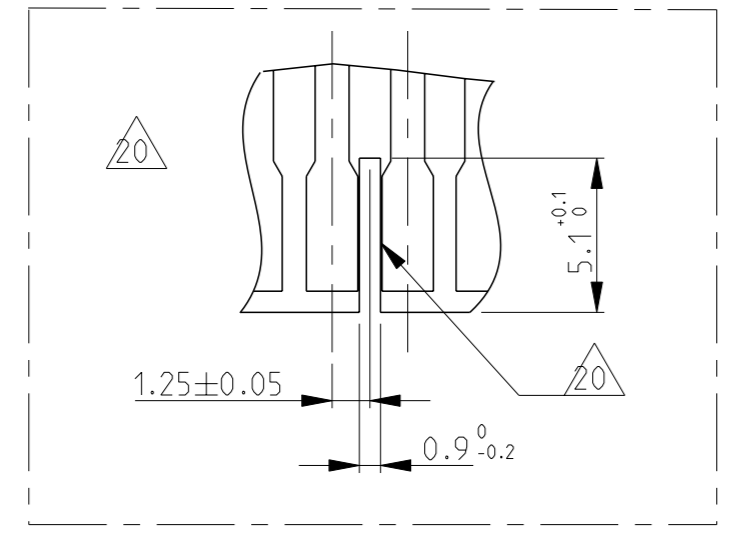
| LOC | DIST | REVISIONS | | | |
|-----|------|-------------|------|-----|------|
| P | LYR | DESCRIPTION | DATE | OWN | APVD |
| - | - | SEE SHEET 1 | - | - | - |



KEYING 22

KEYING 23

- 23 KEYING. SPECIAL THICK. BETWEEN POSITION
- 22 KEYING. SPECIAL THIN. BETWEEN POSITION
- 21 SLOT FOR KEYING SPECIAL. BETWEEN POSITION
- 20 RECOMMENDED PCB CUTOFF DIMENSION FOR THE PN X-2304527-Y AND X-2304528-Y



| GWEPT 750°C NO FLAME & UL94-V0, SILVER PLATED VERSION | | | | | | | | | | | | | | | | | | | | | | | | | | | | |
|---|----|----|----|----|----|----|----|----|----|----|----|---|---|---|---|---|---|---|---|-----|--------------|-------|-------|----|----|----|-------------|----------------|
| Blue | | | | | | | | | | | | | | | X | 0 | X | 3 | 5 | 9.9 | | | | | | | 5-2369989-3 | 4-2369989-3 |
| Color Code | 20 | 19 | 18 | 17 | 16 | 15 | 14 | 13 | 12 | 11 | 10 | 9 | 8 | 7 | 6 | 5 | 4 | 3 | 2 | 1 | POS. Polzahl | DIM A | DIM B | 22 | 23 | 24 | 25 | PN Bestell-Nr. |
| KAMMERBESTUECKUNG (CAVITIES LOADED) 23 | | | | | | | | | | | | | | | | | | | | | | | | | | | | |

| 2 | SEE TABLE | CONTACT/Kontakt | CuSn | SILVERED |
|------|----------------|--------------------------|---------------------|---------------------------------|
| 1 | siehe Tabelle | HOUSING/Federleistengeh. | HIGH TEMP PLASTIC 4 | NATUR/Natur |
| POS. | PN Bestell-Nr. | DESCRIPTION Beschreibung | MATERIAL | COLOUR/FINISH Farbe/Oberflaeche |
| | | | | |

| GWEPT 750°C NO FLAME & UL94-V0, TIN PLATED VERSION | | | | | | | | | | | | | | | | | | | | | | | | | | | | | | | | | | | | | | | |
|--|----|----|----|----|----|----|----|----|----|----|----|---|---|---|---|---|---|---|---|---|--------------|-------|-------|----|----|----|----|----------------|------|------|-----|--|--|--|--|--|--|-------------|-------------|
| Blue | | | | | | | | | | | | | | | X | 0 | X | 0 | X | 0 | X | 0 | X | 0 | X | 0 | X | 13 | 30 | 34.9 | | | | | | | | 1-2304528-3 | 2304528-3 |
| | | | | | | | | | | | | | | | X | 0 | X | X | X | X | X | X | X | X | X | X | X | | | | | | | | | | | 3-2304528-1 | 2-2304528-1 |
| Orange | | | | | | | | | | | | | | | X | 0 | X | 0 | X | 0 | 0 | 0 | X | X | X | X | X | 11 | 25 | 29.9 | | | | | | | | 1-2304528-1 | 2304528-1 |
| Green | | | | | | | | | | | | | | | X | 0 | X | 0 | X | 0 | X | 0 | X | 0 | X | 0 | X | | | | | | | | | | | 2-2304528-0 | 1-2304528-0 |
| | | | | | | | | | | | | | | | X | X | X | 0 | X | 0 | X | 0 | X | X | X | X | X | 10 | 22.5 | 27.4 | | | | | | | | 4-2304527-9 | 3-2304527-9 |
| GREEN | | | | | | | | | | | | | | | X | 0 | X | 0 | X | 0 | X | 0 | X | 0 | X | 0 | X | | | | | | | | | | | 2-2304527-9 | 1-2304527-9 |
| | | | | | | | | | | | | | | | X | 0 | X | X | 0 | X | X | 0 | X | X | 0 | X | X | 9 | 20 | 24.9 | | | | | | | | 1-2304527-9 | 2304527-9 |
| Black | | | | | | | | | | | | | | | X | X | 0 | X | 0 | X | X | 0 | X | X | 0 | X | X | | | | | | | | | | | 2-2304527-7 | 1-2304527-7 |
| Blue | | | | | | | | | | | | | | | X | X | X | X | X | X | 0 | X | 0 | X | 0 | X | X | | | | | | | | | | | 3-2304527-7 | 2304527-7 |
| | | | | | | | | | | | | | | | X | 0 | X | 0 | X | 0 | X | 0 | X | 0 | X | 0 | X | 7 | 15 | 19.9 | | | | | | | | 4-2304527-7 | 3-2304527-7 |
| Black | | | | | | | | | | | | | | | X | X | X | X | 0 | 0 | X | X | X | X | X | X | X | | | | | | | | | | | 2-2304527-7 | 1-2304527-7 |
| Green | | | | | | | | | | | | | | | X | 0 | X | 0 | X | 0 | X | 0 | X | 0 | X | 0 | X | | | | | | | | | | | 1-2304527-7 | 2304527-7 |
| Blue | | | | | | | | | | | | | | | X | 0 | X | X | X | X | X | X | X | X | X | X | X | | | | | | | | | | | 7-2304527-6 | 6-2304527-6 |
| Red | | | | | | | | | | | | | | | X | X | 0 | X | 0 | X | X | 0 | X | X | 0 | X | X | | | | | | | | | | | 5-2304527-6 | 4-2304527-6 |
| Black | | | | | | | | | | | | | | | X | 0 | X | X | X | X | X | X | X | X | X | X | X | | | | | | | | | | | 3-2304527-6 | 2-2304527-6 |
| Green | | | | | | | | | | | | | | | 0 | 0 | X | X | X | X | X | X | X | X | X | X | X | | | | | | | | | | | 1-2304527-6 | 2304527-6 |
| Blue | | | | | | | | | | | | | | | X | 0 | X | 0 | X | X | X | X | X | X | X | X | X | | | | | | | | | | | 4-2304527-5 | 3-2304527-5 |
| Red | | | | | | | | | | | | | | | X | 0 | X | X | 0 | X | X | 0 | X | X | 0 | X | X | | | | | | | | | | | 2-2304527-5 | 1-2304527-5 |
| Red | | | | | | | | | | | | | | | X | 0 | 0 | 0 | X | X | X | X | X | X | X | X | X | | | | | | | | | | | 2304527-5 | |
| Green | | | | | | | | | | | | | | | X | 0 | X | 0 | X | X | X | X | X | X | X | X | X | | | | | | | | | | | 2304527-5 | |
| Black | | | | | | | | | | | | | | | X | X | 0 | 0 | X | X | X | X | X | X | X | X | X | 4 | 7.5 | 12.4 | | | | | | | | 2304527-4 | |
| Red | | | | | | | | | | | | | | | X | 0 | X | X | X | X | X | X | X | X | X | X | X | | | | 2/3 | | | | | | | 8-2304527-3 | 7-2304527-3 |
| Red | | | | | | | | | | | | | | | X | 0 | X | X | X | X | X | X | X | X | X | X | X | | | | 1/2 | | | | | | | 6-2304527-3 | 5-2304527-3 |
| Blue | | | | | | | | | | | | | | | X | 0 | X | X | X | X | X | X | X | X | X | X | X | | | | 2/3 | | | | | | | 4-2304527-3 | 3-2304527-3 |
| Black | | | | | | | | | | | | | | | X | 0 | X | X | X | X | X | X | X | X | X | X | X | | | | | | | | | | | 1-2304527-3 | 2-2304527-3 |
| Red | | | | | | | | | | | | | | | X | 0 | X | X | X | X | X | X | X | X | X | X | X | | | | 1/2 | | | | | | | 1-2304527-3 | 2304527-3 |
| Brown | | | | | | | | | | | | | | | X | 0 | X | X | X | X | X | X | X | X | X | X | X | | | | | | | | | | | | |
| Orange | | | | | | | | | | | | | | | X | 0 | X | X | X | X | X | X | X | X | X | X | X | | | | | | | | | | | | |
| Color Code | 20 | 19 | 18 | 17 | 16 | 15 | 14 | 13 | 12 | 11 | 10 | 9 | 8 | 7 | 6 | 5 | 4 | 3 | 2 | 1 | POS. Polzahl | DIM A | DIM B | 22 | 23 | 24 | 25 | PN Bestell-Nr. | | | | | | | | | | | |
| KAMMERBESTUECKUNG (CAVITIES LOADED) 23 | | | | | | | | | | | | | | | | | | | | | | | | | | | | | | | | | | | | | | | |

| 2 | SEE TABLE | CONTACT/Kontakt | CuSn | TINNED/verzinkt |
|------|----------------|--------------------------|---------------------|---------------------------------|
| 1 | siehe Tabelle | HOUSING/Federleistengeh. | HIGH TEMP PLASTIC 4 | NATUR/Natur |
| POS. | PN Bestell-Nr. | DESCRIPTION Beschreibung | MATERIAL | COLOUR/FINISH Farbe/Oberflaeche |
| | | | | |

THIS DRAWING IS A CONTROLLED DOCUMENT. **STC** TE Connectivity

DIMENSIONS: mm
 TOLERANCES UNLESS OTHERWISE SPECIFIED:
 0 PLC ±0.2
 1 PLC ±0.2
 2 PLC ±0.2
 3 PLC ±
 4 PLC ±
 ANGLES FINISH

OWN: H. Karabiyik 24MAY2002
 CHK: B. Schnaubelt 24MAY2002
 APVD: T. Klenner 24MAY2002

NAME: AMP DUOPLUG 2.5 MARK II FEMALE CONNECTOR 3-20 POSITION SELECTIVE LOADED
 SIZE: 116-18467
 WEIGHT: 00779
 SCALE: 10:1
 SHEET: 3 OF 3
 REV: 53

X-ON Electronics

Largest Supplier of Electrical and Electronic Components

Click to view similar products for [Headers & Wire Housings](#) category:

Click to view products by [TE Connectivity](#) manufacturer:

Other Similar products are found below :

[892-18-020-10-001101](#) [58102-G61-06LF](#) [582553-1](#) [0009485154](#) [009176003701906](#) [0050291907](#) [LY20-4P-DT1-P1E-BR](#) [02.125.8002.8](#)
[609-3404](#) [61062-3](#) [61082-181009](#) [622-3653LF](#) [63453-116](#) [636-1030](#) [636-1427](#) [636-3427](#) [636-4007](#) [641938-9](#) [641991-4](#) [644827-2](#) [65817-](#)
[010LF](#) [65817-015LF](#) [65863-015LF](#) [66207-023LF](#) [67095-007LF](#) [67601157](#) [68645-018](#) [68648-049](#) [70.362.1628.0](#) [70-4210](#) [70-4226B](#) [70-](#)
[4853B](#) [707-5020](#) [707-5028](#) [71.350.2428.0](#) [71918-208LF](#) [71961-016LF](#) [733-134](#) [733-162](#) [754199-000](#) [760-3052](#) [79531-3000](#) [FCN-](#)
[360C032-B](#) [FCN-367T-T012/H](#) [FCN-723D010/2](#) [80.063.4001.1](#) [800-90-010-10-002000](#) [801-43-002-10-013000](#) [801-43-006-10-002000](#)
[801-93-011-10-001000](#)