

THIS DRAWING IS UNPUBLISHED. RELEASED FOR PUBLICATION  
 QUE ESTE DISEÑO NO SE PUEDE REPRODUCIR SIN LA AUTORIZACION DE SCHLEGEL S.p.A.  
 ALL RIGHTS RESERVED. TODOS LOS DERECHOS RESERVADOS.  
 COPIES OF THIS DRAWING ARE PROHIBED FOR PATENTS ACTUALS O PENDIENTES

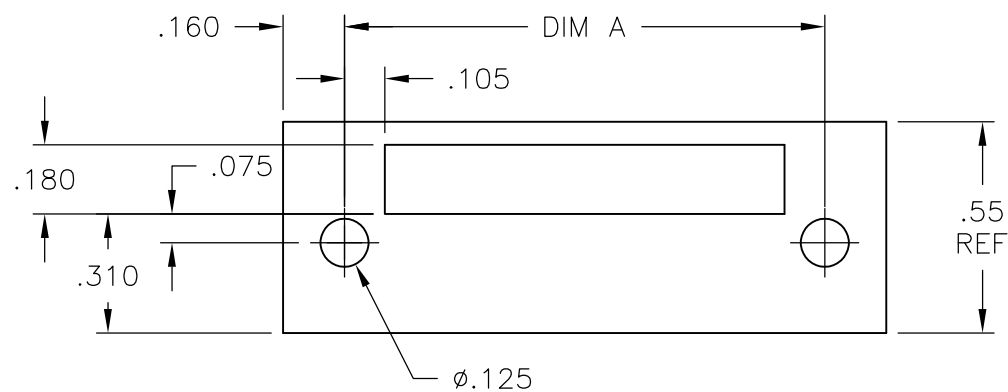
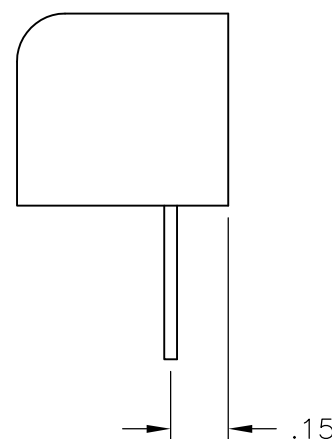
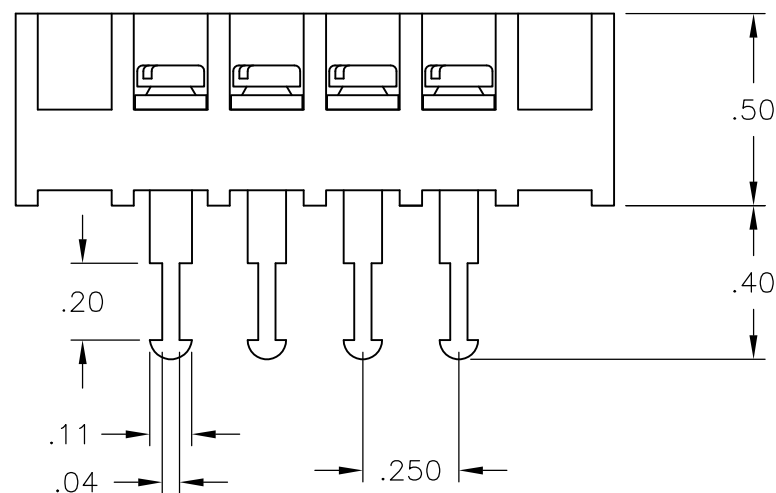
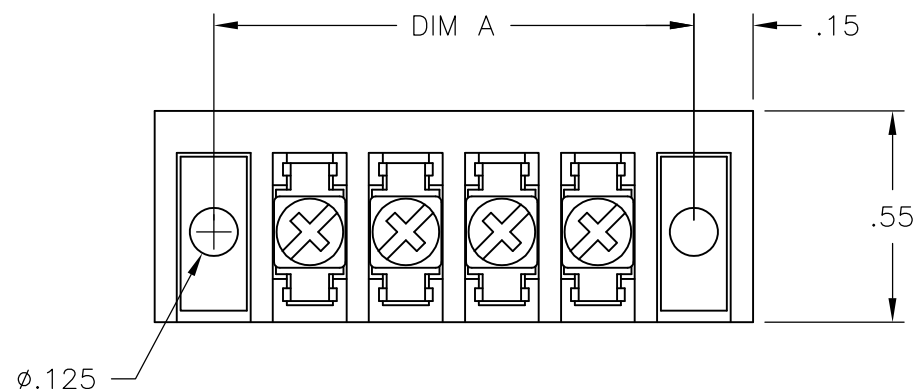
LOC FT	DIST 0	REVISIONS		
P	LTR REV	DESCRIPTION	DATE	DWN DIBISSO
	B	REVISED PER ECO-11-023401	01DEC11	APVD MS

NOTES:

MATERIAL:  
 HOUSING: THERMOPLASTIC, UL94V-0, BLACK.  
 TERMINAL: BRIGHT TIN PLATED, COPPER ALLOY.  
 M3 SCREWS: ZINC PLATED STEEL.

ELECTRICAL:  
 RATED CURRENT: 10A.  
 OPERATING VOLTAGE: 300V.  
 WIRE RANGE: 16-30 AWG.

MECHANICAL:  
 PITCH (TERMINAL SPACING): .250"  
 OPERATING TEMP.: 120°C MAX.



RECOMMENDED PANEL LAYOUT

7.25	28	3STV-28-006	2-1546687-8
7.00	27	3STV-27-006	2-1546687-7
6.75	26	3STV-26-006	2-1546687-6
6.50	25	3STV-25-006	2-1546687-5
6.25	24	3STV-24-006	2-1546687-4
6.00	23	3STV-23-006	2-1546687-3
5.75	22	3STV-22-006	2-1546687-2
5.50	21	3STV-21-006	2-1546687-1
5.25	20	3STV-20-006	6-1546119-3
5.00	19	3STV-19-006	1-1546687-9
4.75	18	3STV-18-006	1-1546687-8
4.50	17	3STV-17-006	1-1546687-7
4.25	16	3STV-16-006	1-1546687-6
4.00	15	3STV-15-006	1-1546687-5
3.75	14	3STV-14-006	1-1546687-4
3.50	13	3STV-13-006	1-1546687-3
3.25	12	3STV-12-006	6-1546119-2
3.00	11	3STV-11-006	1-1546687-1
2.75	10	3STV-10-006	6-1546119-1
2.50	9	3STV-09-006	6-1546119-0
2.25	8	3STV-08-006	5-1546119-9
2.00	7	3STV-07-006	5-1546119-8
1.75	6	3STV-06-006	5-1546119-7
1.50	5	3STV-05-006	5-1546119-6
1.25	4	3STV-04-006	5-1546119-4
1.00	3	3STV-03-006	5-1546119-3
.75	2	3STV-02-006	5-1546119-2

DIM "A"	NO. OF POS.	CATALOG NUMBER	PART NO.
---------	-------------	----------------	----------

THIS DRAWING IS A CONTROLLED DOCUMENT.		DWN/DIBISSO S SCHLEGEL	4/22/03	TE Connectivity	
DIMENSIONS: MILLIMETERS AND INCHES		CHK/CONTROLLED S YODER	4/22/03	NAME: DIBISSO	
TOLERANCES UNLESS OTHERWISE SPECIFIED: 0 PLC/DIBISSO: ± - 1 PLC/DIBISSO: ± - 2 PLC/DIBISSO: ± .02 3 PLC/DIBISSO: ± .010 4 PLC/DIBISSO: ± - ANGLES/ANGLES ± -		APVD/APPROVE S YODER	4/22/03	PRODUCT SPEC: 3STV-XX-006 ASSEMBLY	
MATERIAL: PBT		APPLICATION SPEC: 3STV-XX-006		SIZE: A3	CAGE CODE: 00779
FINISH/OBERFLAECHE/FARBE: ROBBRANTO		WEIGHT: APPROX. -		DRAWING NO: C-5-1546119-2	RESTRICTED TO: -
CUSTOMER DRAWING		DESIGN REFERENCE		SCALE: 1:1	SHEET: 1 OF 1

## X-ON Electronics

Largest Supplier of Electrical and Electronic Components

*Click to view similar products for [Barrier Terminal Blocks](#) category:*

*Click to view products by [TE Connectivity](#) manufacturer:*

Other Similar products are found below :

[6C1N03](#) [6PCR-02-008](#) [6PCR-05-008](#) [6PCR-08-008](#) [6PCR-21-006](#) [6PCV-06-008](#) [6PCV-10-009](#) [6PCV-15-008](#) [6STR-06-006](#) [6STR-08-006](#)  
[6STR-12-008](#) [6STR-14-008](#) [6STR-16-008](#) [6STR-17-008](#) [6STR-21-008](#) [6STR-25-008](#) [6STR-27-008](#) [6STV-03-006](#) [6STV-03-008](#) [6STV-04-006](#) [6STV-10-006](#) [6WWR-03](#) [6WWV-12-008](#) [6WWV-16-008](#) [7-1546701-0](#) [72212603](#) [72503-C](#) [72504-C-50](#) [73203](#) [76007](#) [7604-501LF](#)  
[77010-50](#) [796985-3](#) [796988-4](#) [7C1N08](#) [8-1437402-5](#) [8-1437402-7](#) [8-1546158-0](#) [870505](#) [870903](#) [8PCR-06-006](#) [8PCV-02-008](#) [8PCV-05-008](#)  
[8PCV-09-006](#) [8PCV-15-006](#) [8PCV-17-006](#) [8QCR-03-008](#) [8STV-04-006](#) [9-1437402-3](#) [A103104](#)