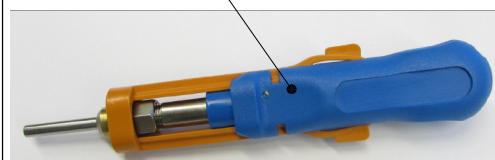
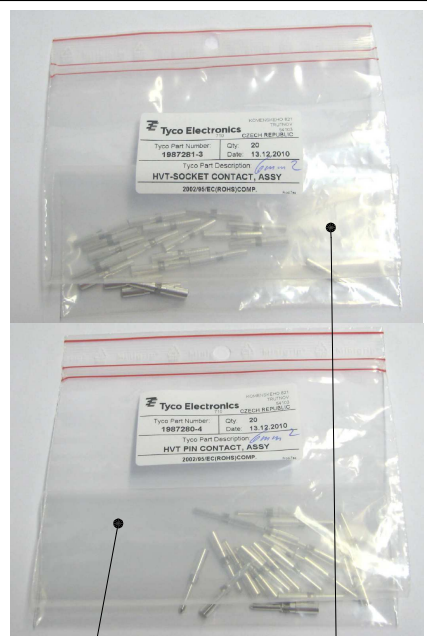




THIS DRAWING IS UNPUBLISHED. RELEASED FOR PUBLICATION
 © COPYRIGHT - BY TYCO ELECTRONICS CORPORATION. ALL INTERNATIONAL RIGHTS RESERVED.

LOC	DIST	REVISIONS					
		P	LTR	DESCRIPTION	DATE	DWN	APVD
-	-	H		ECR-12-011656	160CT12	LS	LB





Alle seitlich aufgeführten Artikel sind im Koffer enthalten / ALL ARTICLE ON BOTH SIDES ARE CONTAINS IN CASE

**INSTRUCTION SHEET,
 SOLARLOK CRIMP HAND TOOL**
411-18315

THIS DRAWING IS A CONTROLLED DOCUMENT.		DWN B. Muth	29JUL09	 TE Connectivity
DIMENSIONS: mm		CHK G. Stegmayer	06JUL09	
		APVD G. Stegmayer	06JUL09	
MATERIAL		PRODUCT SPEC	NAME SOLARLOK INSTALLER STARTER KIT, STANDARD	
TOLERANCES UNLESS OTHERWISE SPECIFIED:		APPLICATION SPEC	SIZE A3	CAGE CODE 00779
0 PLC ± - 1 PLC ± - 2 PLC ± - 3 PLC ± - 4 PLC ± - ANGLES ± -		WEIGHT 1.530kg	DRAWING NO ©-5-1579010-4	RESTRICTED TO -
CUSTOMER DRAWING			SCALE	SHEET 1 of 2
			REV	H

10	6	0-0740507-3	A	MINI GRIP BAG 140X220 NEUTRAL, UNPRINTED	<input checked="" type="checkbox"/>	<input type="checkbox"/>
12	1	0-1718094-1	B	INSTRUCTION SHEET VERARBEITUNGSANWEISUNG	<input checked="" type="checkbox"/>	<input type="checkbox"/>
13	1	9-0744010-7	H	INSTRUCTION SHEET, SOLARLOCK CRIMP HAND TOOL	<input checked="" type="checkbox"/>	<input type="checkbox"/>
14	1	0-0744507-1	A	PRODUCT CONSIDERATION, SOLARLOK	<input checked="" type="checkbox"/>	<input type="checkbox"/>

REMARKS: STARTER KIT FOR WIRE SIZE 4SQ.MM AND 6SQ.MM (AWG10-12); FOR STANDARD CONNECTORS							USED ON				
P	LTR	REVISION RECORD	DATE	DWN	APVD	PRINTED 17OCT12	DWN 16JUL12 L. SANDHU	CHK 16JUL12 G.STEGMAYER	APVD 16JUL12 G.STEGMAYER		
-	E	SEE SHEET 1	-	-	-	WEIGHT -	DIMENSION (mm) -	MATERIAL -	HT TR -		
-	F	SEE SHEET 1	-	-	-	 TE Connectivity SPARE AND WEAR PARTS LIST		 TOLERANCES UNLESS OTHERWISE SPECIFIED SEE SHEET 1			
-	G	SEE SHEET 1	-	-	-						
-	H	SEE SHEET 1	-	-	-						
THIS DRAWING IS A CONTROLLED DOCUMENT FOR TYCO ELECTRONICS CORPORATION. IT IS SUBJECT TO CHANGE AND THE CONTROLLING ENGINEERING ORGANIZATION SHOULD BE CONTACTED FOR THE LATEST REVISION. DIESES ZEICHNUNGSDOKUMENT WIRD DURCH TYCO ELECTRONICS CORPORATION KONTROLLIERT. ÄNDERUNGEN DIE DEM TECHNISCHEN FORTSCHRITT DIENEN, SIND VORBEHALTEN. DEN JEWEILS LETZTGÜLTIGEN ÄNDERUNGSSTAND ERFAHREN SIE AUF ANFRAGE							NAME SOLARLOK INSTALLER STARTER KIT, STANDARD			RESTRICTED TO -	
SCALE SEE SHEET 1			SIZE A4	DRAWING NO C-5-1579010-4		SHEET 2/2	REV H				

X-ON Electronics

Largest Supplier of Electrical and Electronic Components

Click to view similar products for [Solar Connectors / Photovoltaic Connectors](#) category:

Click to view products by [TE Connectivity](#) manufacturer:

Other Similar products are found below :

[1740699-7](#) [1971861-4](#) [1971131-4](#) [1971858-3](#) [1971861-3](#) [PV-090508-M10](#) [PV-CM-S 2 5-6 \(-\)](#) [2270184-3](#) [2270154-2](#) [2270226-4](#) [PV-090508-M06-N](#) [1987558-2](#) [PV-090506-F03](#) [UTXPM](#) [UTXPF](#) [UTXCMB6AM](#) [1627092](#) [1017635](#) [1017636](#) [1-2306314-1](#) [1-2306314-2](#) [1302440201](#) [2-1971862-2](#) [H4CMC6DM](#) [1705996](#) [1705995](#) [1971858-2](#) [5-2306317-2](#) [1704926](#) [H4CFC4DIS](#) [H4CMC4DC](#) [H4CFC4DC](#) [H4CMC4DM](#) [H4CFC4DM](#) [H4CFC6DM](#) [H4CFM2DI](#) [H4CFM6DI](#) [H4CMC2DI](#) [H4CMC8DM](#) [H4CMM6DI](#) [H4CMC4DMS](#) [H4CMC4DIS](#) [H4PF](#) [H4PM](#) [HGLUI](#) [PWJ-03BMMB-LL8001](#) [UTXCFA0AM](#) [UTXCFA4BMH](#) [UTXCMA0AM](#) [UTXCMA4AM](#)