



AMP

| MCON Interconnection System, Micro Timer I, Micro Timer II, Micro Timer III, Timer Connector System

TE Internal #: 5-1579018-6

Micro Timer II, Insertion & Extraction Tools, Contact Insertion, Contact-to-Wire

[View on TE.com >](#)

Application Tooling > Insertion & Extraction Tools



Insertion & Extraction Tool Type: **Contact Insertion**

Insertion & Extraction Tool Application: **Contact-to-Wire**

**Features**

**Product Type Features**

Insertion & Extraction Tool Type	Contact Insertion
Insertion & Extraction Tool Application	Contact-to-Wire

**Product Compliance**

[For compliance documentation, visit the product page on TE.com>](#)

EU RoHS Directive 2011/65/EU	Not Compliant
EU ELV Directive 2000/53/EC	Out of Scope
China RoHS 2 Directive MIIT Order No 32, 2016	Restricted Materials Above Threshold
EU REACH Regulation (EC) No. 1907/2006	Current ECHA Candidate List: JUL 2021 (219) Candidate List Declared Against: JUN 2020 (209) SVHC > Threshold: Pb (3% in Component Part) <small>Article Safe Usage Statements: Do not eat, drink or smoke when using this product. Wash thoroughly after handling. Recycle if possible and dispose of the article by following all applicable governmental regulations relevant to your geographic location.</small>
Halogen Content	Low Halogen - Br, Cl, F, I < 900 ppm per homogenous material. Also BFR/CFR/PVC Free
Solder Process Capability	Not applicable for solder process capability

Product Compliance Disclaimer

This information is provided based on reasonable inquiry of our suppliers and represents our current actual knowledge based on the information they provided. This information is subject to change. The part numbers that TE has identified as

EU RoHS compliant have a maximum concentration of 0.1% by weight in homogenous materials for lead, hexavalent chromium, mercury, PBB, PBDE, DBP, BBP, DEHP, DIBP, and 0.01% for cadmium, or qualify for an exemption to these limits as defined in the Annexes of Directive 2011/65/EU (RoHS2). Finished electrical and electronic equipment products will be CE marked as required by Directive 2011/65/EU. Components may not be CE marked. Additionally, the part numbers that TE has identified as EU ELV compliant have a maximum concentration of 0.1% by weight in homogenous materials for lead, hexavalent chromium, and mercury, and 0.01% for cadmium, or qualify for an exemption to these limits as defined in the Annexes of Directive 2000/53/EC (ELV). Regarding the REACH Regulation, the information TE provides on SVHC in articles for this part number is based on the latest European Chemicals Agency (ECHA) 'Guidance on requirements for substances in articles' posted at this URL: <https://echa.europa.eu/guidance-documents/guidance-on-reach>

## Compatible Parts



TE Part # CAT-T4827-T273  
TIMER, RECEPTACLE AND TAB



TE Part # CAT-M4595-T273  
MCON, RECEPTACLE AND TAB



TE Part # 1747251-1  
MT 6POS PLUG HSG



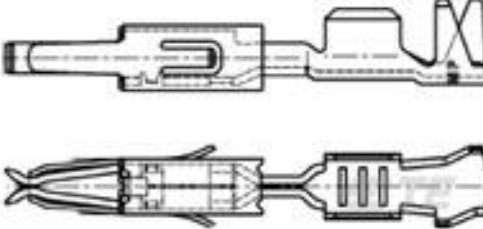
TE Part # 1989304-1  
JUNIOR POWER TIMER CONTACT  
BUSBAR 2 WAYS



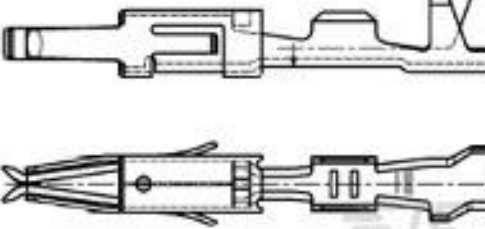
TE Part # 9-2348786-1  
HDSNET 2+6 REC. HSG ASSY E,  
CODE A



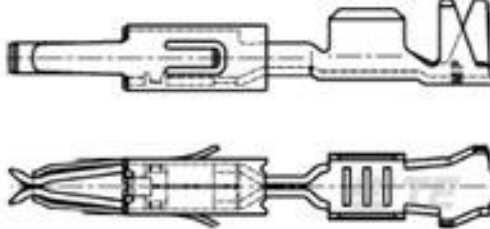
TE Part # 9-2348786-2  
HDSNET 2+6 REC. HSG ASSY E,  
CODE B



TE Part # 964275-2  
MT2 A REC 1.6 Contact SWS Sn (LP)



TE Part # 963711-2  
MICRO TIM RECEPTACLE CONTACT



TE Part # 969019-2  
MT2 A REC 1.6 Contact SWS Sn (LP)



TE Part # 1241731-2  
MICRO TIM3 CONTACT



TE Part # 2-964269-2  
TAB A 1.6x0.6 CONTACT CF SWS Ag



TE Part # 2112668-1  
23POS MIXED MQS REC



TE Part # 4-1241732-1  
MT3 REC 1.6 Contact SRC Au



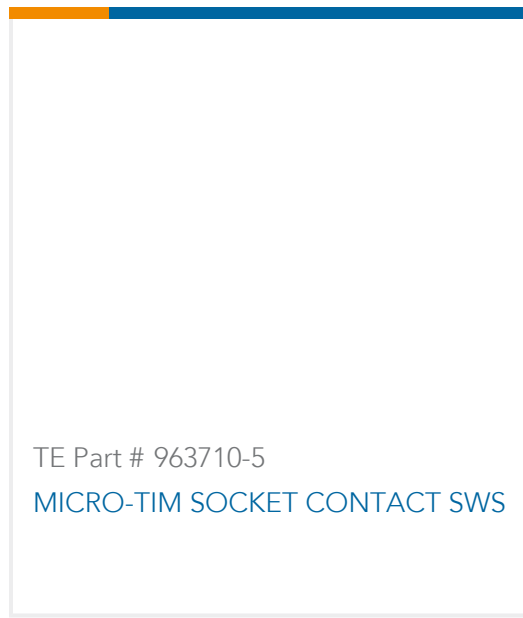
TE Part # 4-1241733-1  
MICRO TIM2 CONTACT



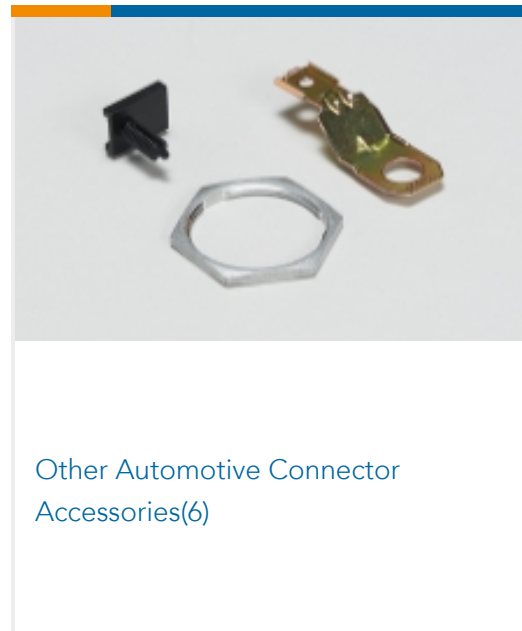
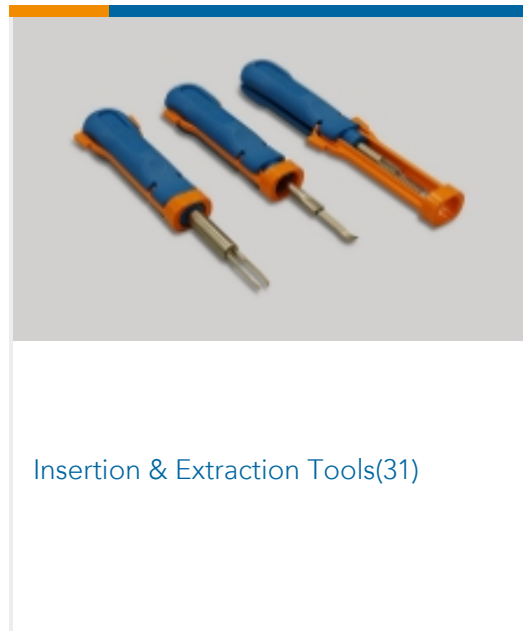
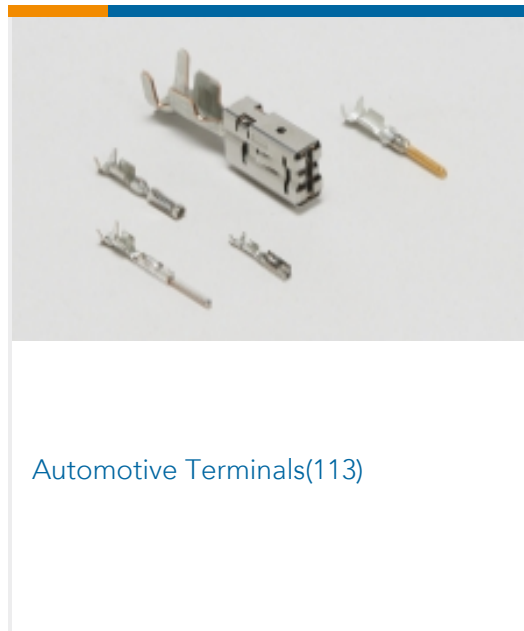
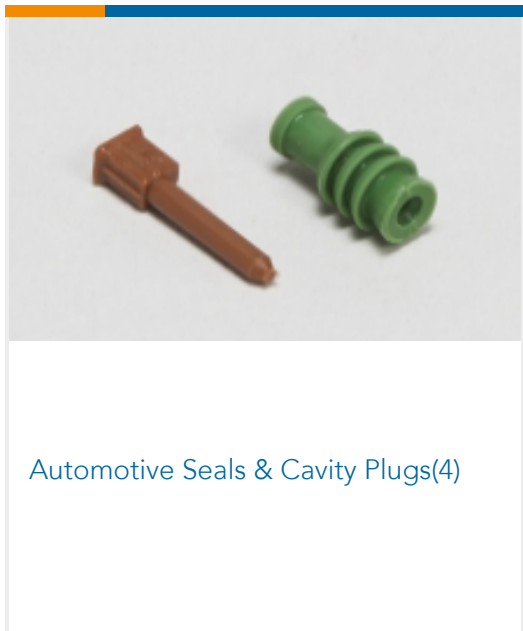
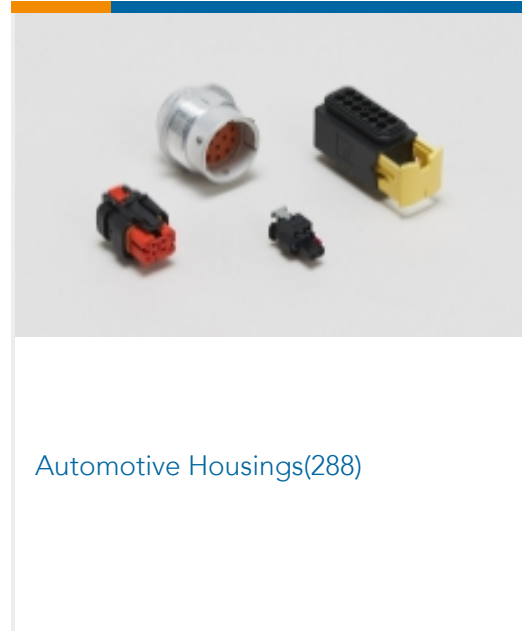
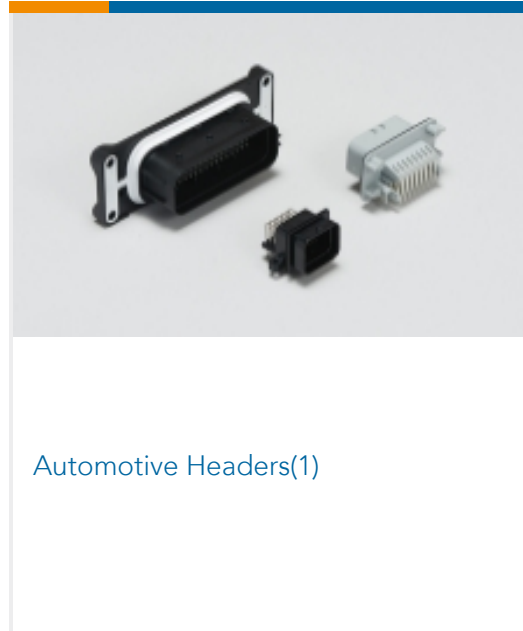
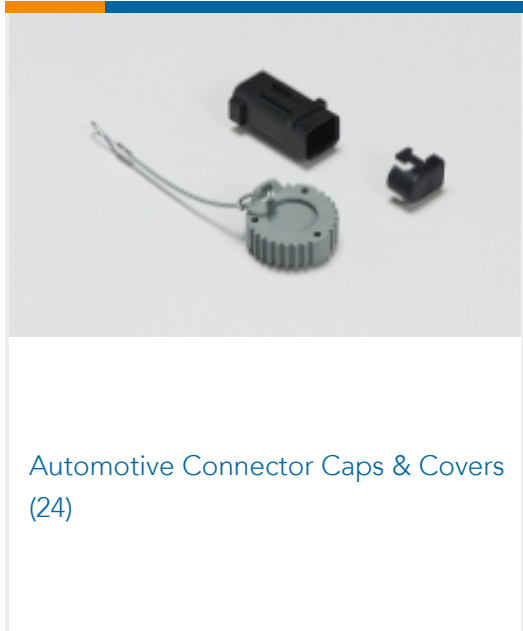
TE Part # 4-964275-1  
MICRO TIMER2 CONTACT (loose  
piece)



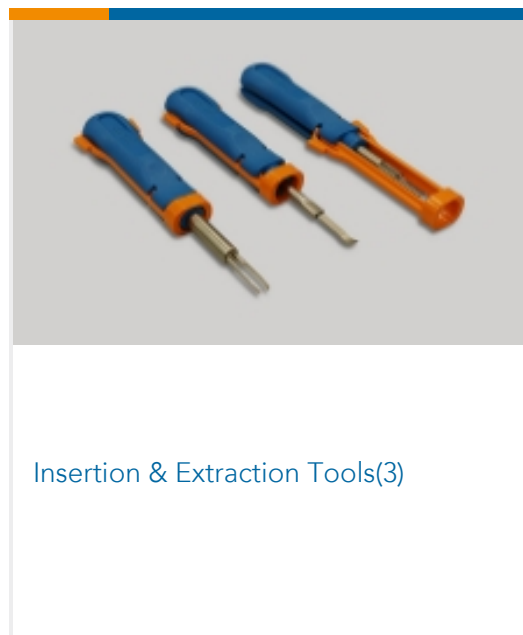
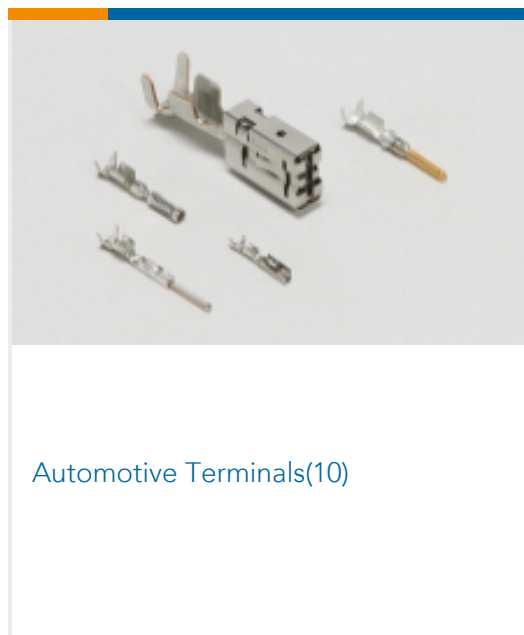
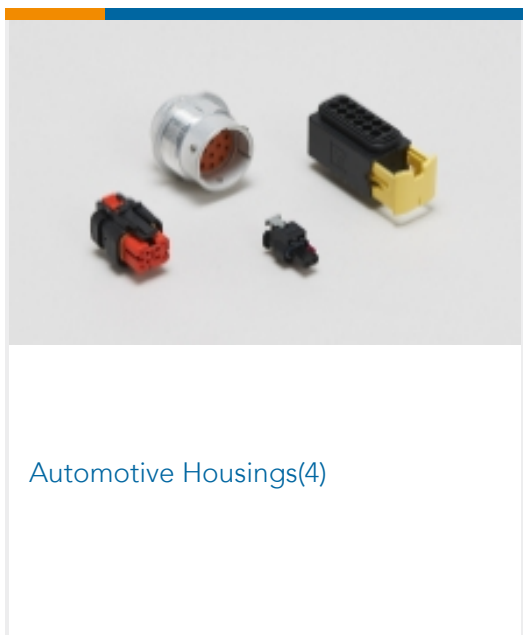
TE Part # 4-969019-1  
MICRO TIMER2CONTACT



### Also in the Series | MCON Interconnection System



### Also in the Series | Micro Timer I



### Also in the Series | Micro Timer II



Automotive Connector Caps & Covers (2)



Automotive Connector Locks & Position Assurance(3)



Automotive Housings(28)



Automotive Seals & Cavity Plugs(1)



Automotive Terminals(31)

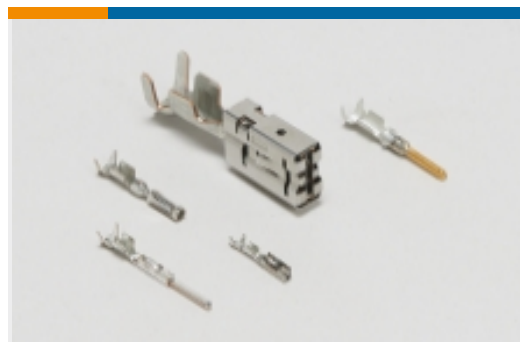


Insertion & Extraction Tools(4)

### Also in the Series | **Micro Timer III**



Automotive Housings(5)



Automotive Terminals(10)

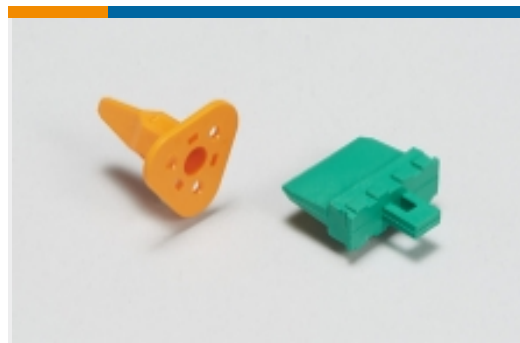


Insertion & Extraction Tools(3)

### Also in the Series | **Timer Connector System**



Automotive Connector Caps & Covers (11)



Automotive Connector Locks & Position Assurance(16)



Automotive Headers(78)



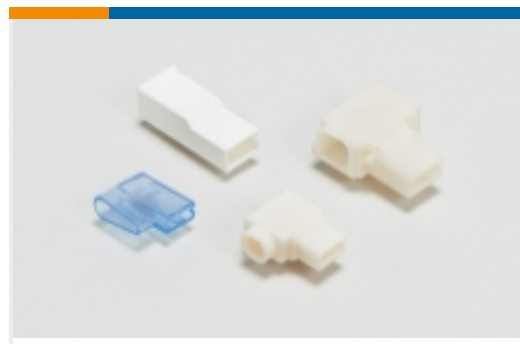
Automotive Housings(212)



Automotive Seals & Cavity Plugs(31)



Automotive Terminals(142)



Crimp Terminal Housings(13)



Insertion & Extraction Tools(20)



Other Automotive Connector Accessories(1)



Quick Disconnects(4)

### Customers Also Bought



TE Part #539635-1  
ERGO HAND TOOL FRAME-NO DIES



TE Part #539960-1  
AUSZ-WKZ,MICRO TIM.



TE Part #1-1579007-3  
EXTRACTION TOOL



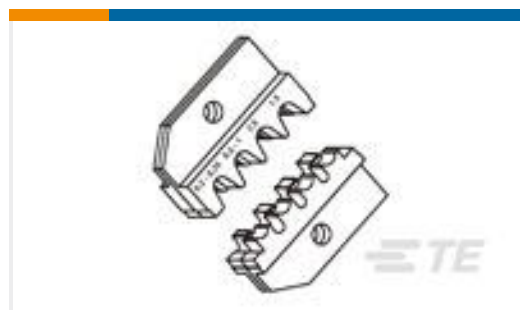
TE Part #1579007-1  
AUSDRUECKWERKZEUG



TE Part #5-1579007-3  
EXTRACTION TOOL



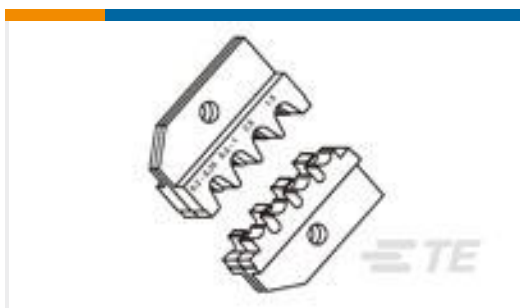
TE Part #1-1579007-1  
EXTRACTION TOOL



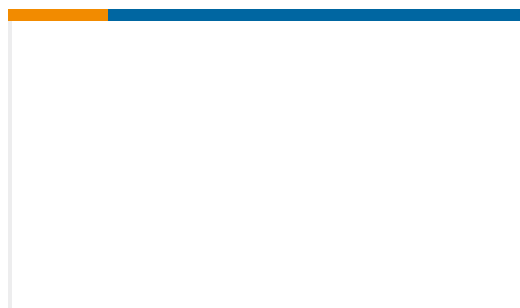
TE Part #539950-2  
ERGO DIE MCP 1,5 K



TE Part #1579008-9  
INSERTION TOOL



TE Part #539663-2  
MATRIZE MICRO T.EDS



TE Part #4-1579016-0  
ERGO CRIMP DIE SET MCP1.5K

### Documents



## Product Drawings

### INSERTION TOOL

English

---

## Datasheets & Catalog Pages

### Crimp Term Whitepaper-Use the Right Tool 1-1773953-1

English

### CRIMPING WHERE FORM MEETS FUNCTION

English

### Insertion-Extraction-Tool-2345721-1

English

### HDSCS Catalog

English

---

## Instruction Sheets

### Instruction Sheet (non U.S.)

German

## X-ON Electronics

Largest Supplier of Electrical and Electronic Components

*Click to view similar products for [Extraction, Removal & Insertion Tools](#) category:*

*Click to view products by [TE Connectivity](#) manufacturer:*

Other Similar products are found below :

[M8196914-08](#) [768211-2](#) [809-131](#) [844751-2](#) [8-59558-2](#) [91018-1](#) [12014013](#) [12093647](#) [1-21048-0](#) [R282867020](#) [12093078](#) [1-21048-6](#)  
[12121897](#) [DCF.91.405.5LT](#) [1322](#) [15314260](#) [15350698](#) [15350707](#) [15430130](#) [1579018-4](#) [1643916-1](#) [1-679532-0](#) [1976593-3](#) [OUTEXT-0321](#)  
[2-1579008-3](#) [2-1579008-4](#) [229694-7](#) [231106-1](#) [241469](#) [91040-3](#) [91040-7](#) [965004-000](#) [965069-000](#) [1738219-1](#) [ET-JL05-16](#) [FG 0300 146](#)  
[3000](#) [FIT-6](#) [210S048](#) [2-1579007-9](#) [231879-1](#) [312138-3](#) [RJ11FODE](#) [356-162](#) [M8196914-10](#) [4-1579018-0](#) [430395-001](#) [483249-1](#) [5-](#)  
[1579007-2](#) [5-1579007-9](#) [BPR10](#)