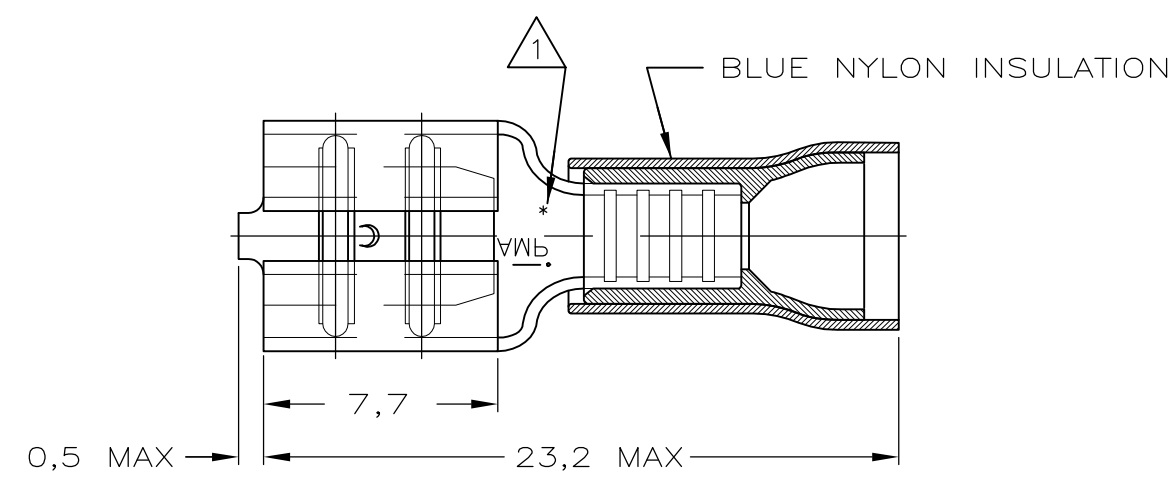


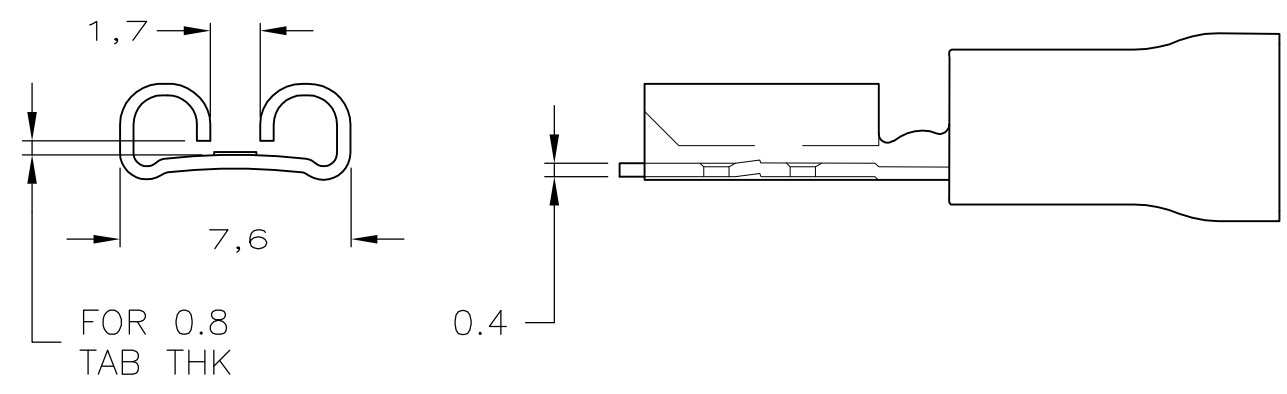
THIS DRAWING IS UNPUBLISHED. RELEASED FOR PUBLICATION
 © COPYRIGHT - By - ALL RIGHTS RESERVED.

LOC	DIST	REVISIONS					
G	86	P	LTR	DESCRIPTION	DATE	DWN	APVD
			H3	REVISED PER ECO-11-004820	11MAR11	RK	HMR



NOTES

- 1 ASTERISK * FOR PH.BRONZE VERSIONS ONLY.
- 2 WIRE RANGE: 1,0-2,6mm². INSUL. RANGE: 4,3mm MAX. DIA..
- 3 OBSOLETE WITHOUT REPLACEMENT



TAPE MOUNTED	1	GOLDPLATED	PH.BRONZE	5-160313-7 3
	1	SILVERPLATED	PH.BRONZE	5-160313-6 3
	1	TINPLATED	PH.BRONZE	5-160313-5
		GOLDPLATED	BRASS	5-160313-4 3
		SILVERPLATED	BRASS	5-160313-3 3
		TINPLATED	BRASS	5-160313-2
LOOSE PIECE	1	TIN-LEAD	PH.BRONZE	9-160313-8 3
	1	GOLDPLATED	PH.BRONZE	9-160313-7 3
	1	SILVERPLATED	PH.BRONZE	9-160313-6
	1	TINPLATED	PH.BRONZE	9-160313-5
		GOLDPLATED	BRASS	9-160313-4 3
		SILVERPLATED	BRASS	9-160313-3 3
	TINPLATED	BRASS	9-160313-2	
PACKAGE TYPE		FINISH	MATERIAL	PARTNUMBER

THIS DRAWING IS A CONTROLLED DOCUMENT.		DWN JR RUTH 08OCT04	TE Connectivity			
DIMENSIONS: mm		CHK T MICHELUTTI 08OCT04				
TOLERANCES UNLESS OTHERWISE SPECIFIED:		APVD T MICHELUTTI 08OCT04	NAME .250 SRS P.I.D.G. FASTON REC.			
0 PLC ± - 1 PLC ± - 2 PLC ± 0.38 3 PLC ± - 4 PLC ± - ANGLES ± -		PRODUCT SPEC -	APPLICATION SPEC -			
MATERIAL -	FINISH -	WEIGHT -	SIZE A3	CAGE CODE 00779	DRAWING NO C-160313	RESTRICTED TO -
CUSTOMER DRAWING			SCALE -	SHEET 1 OF 1	REV H3	

X-ON Electronics

Largest Supplier of Electrical and Electronic Components

Click to view similar products for [Terminals](#) category:

Click to view products by [TE Connectivity](#) manufacturer:

Other Similar products are found below :

[00-054007-01074-6](#) [00-054007-70206-1](#) [00-054007-70210-8](#) [00-054007-70217-7](#) [00-054007-70226-9](#) [00-054007-70228-3](#) [00-054007-70248-1](#) [00-054007-70256-6](#) [00-054007-70301-3](#) [00-054007-70316-7](#) [0-0320562-0](#) [00-054007-49560-4](#) [00-054007-70209-2](#) [00-054007-70225-2](#) [00-054007-70227-6](#) [00-054007-70231-3](#) [00-054007-70241-2](#) [00-054007-70242-9](#) [00-054007-70244-3](#) [00-054007-70246-7](#) [00-054007-70263-4](#) [00-054007-70288-7](#) [00-054007-70290-0](#) [00-054007-70300-6](#) [00-054007-70304-4](#) [01-2065-1-0216](#) [01-2900-1-04412](#) [00581P0075](#) [600TS-10](#) [60205-1](#) [604200-1](#) [605601-1](#) [60598-1-CUT-TAPE](#) [61314-6-C](#) [61810-3](#) [61-S](#) [61-SN](#) [626-0194](#) [62-NBM-A](#) [62-SN](#) [62-SP](#) [63-S](#) [640179-1](#) [M55155/059I03](#) [M55155/079C01](#) [M55155/099H02](#) [M55155/109H01](#) [M55155/109H02](#) [M55155/12XH05](#) [M55155/16XH02](#)