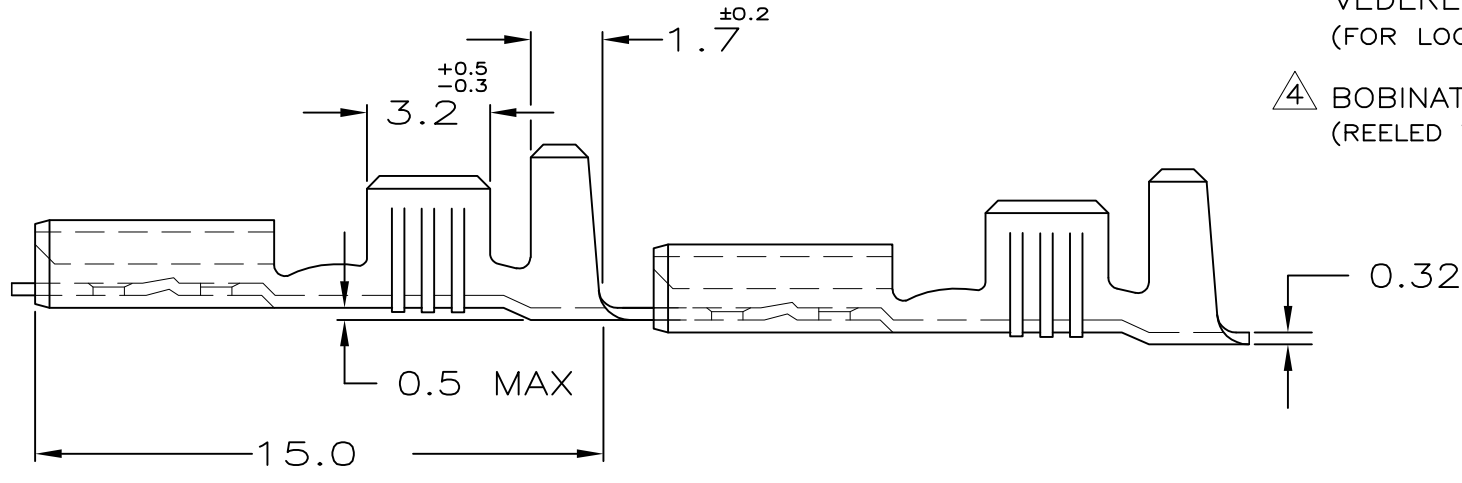
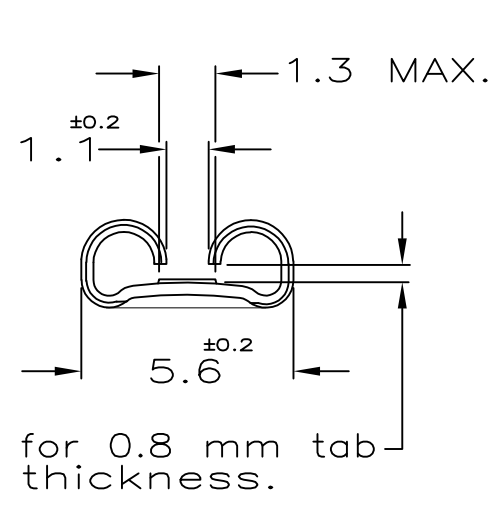
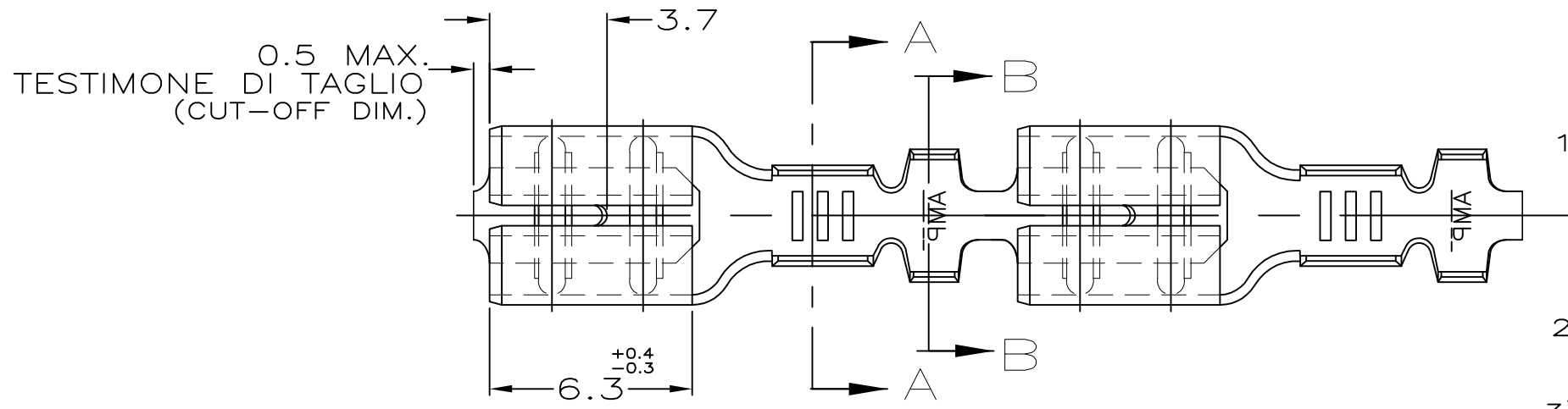


THIS DRAWING IS UNPUBLISHED.
 QUESTO DISEGNO NON DEVE ESSERE DIVULGATO O RIPRODOTTO

RELEASED FOR PUBLICATION
 E' CONSENTITA LA DIVULGAZIONE
 ALL RIGHTS RESERVED.
 TUTTI I DIRITTI SONO RISERVATI

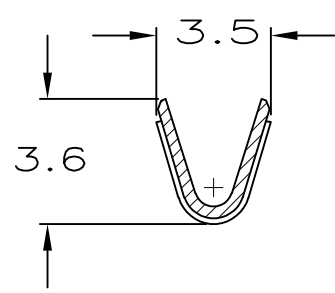
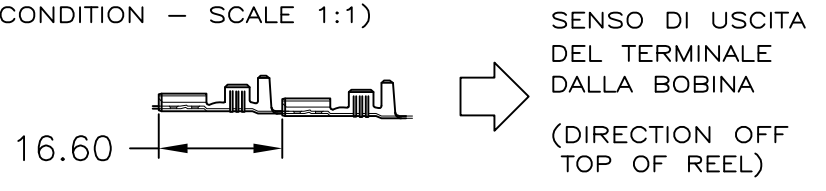
LOC	DIST
-	-

P		LTR REV	DESCRIPTION DESCRIZIONE	DATE DATA	DWN DIS.	APVD APP.
		AG4	REVISED PER ECO-11-005301	02MAR11	RK	HMR
		AG5	REVISED PER ECR-15-017205	26NOV15	LP	T.D

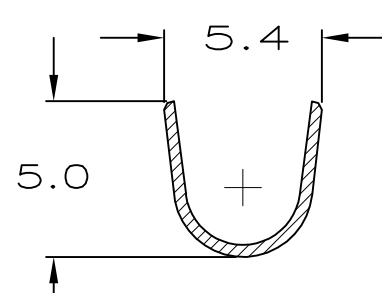


- 1) STATO DI FORNITURA - SCALA 1:1 (SUPPLY CONDITION - SCALE 1:1)
- 2) SPECIFICA DI PRODOTTO 108-20019 (PRODUCT SPEC. 108-20019)
- 3) PER LE VERSIONI IN PEZZI SCIOLTI VEDERE DISEGNO 160491 (FOR LOOSE PIECE VERSION SEE DRAWING 160491).

4 BOBINATO CON CARTA INTERPOSTA (REELED WITH INTERLEAVE PAPER STRIP)



(SEZIONE A-A)
(SECTION A-A)



(SEZIONE B-B)
(SECTION B-B)

NOTE	FINITURA/COLORE (FINISH/COLOR)	MATERIALE (MATERIAL)	NUMERO (P/N)	REV
4	TIN PLATED	BRASS	6-160429-2	
	STAGNATO (TIN PLATED)	BRONZO FOSF. (PH. BRONZE)	5-160429-6	
OBSOLETE	PRE NICHELATO (PRE NICKEL PL.)	ACCIAIO (STEEL)	5-160429-4	
	STAGNATO (TIN PLATED)	OTTONE (BRASS)	5-160429-2	
4	NUDO (UNPLATED)	OTTONE (BRASS)	5-160429-1	

THIS DRAWING IS A CONTROLLED DOCUMENT. QUESTO DISEGNO E' UN DOCUMENTO CONTROLLATO.		DWN/DIS. 01 FEB 2000 H.YAALI	TE Connectivity FASTON Connector, .187 sr. REC. CONTACT.	
DIMENSIONS: DIMENSIONI: mm		CHK/CONT. 01 FEB 2000 C.TARTARI		
TOLERANCES UNLESS OTHERWISE SPECIFIED: TOLLERANZE: SE NON DIVERSAMENTE SPECIFICATO		APVD / APP.	NAME NOME	
0 PLC / DEC ± - 1 PLC / DEC ± 0.3 2 PLC / DEC ± - 3 PLC / DEC ± - 4 PLC / DEC ± - ANGLES / ANGOLI ± 2'		PRODUCT SPEC SPEC DI PRODOTTO	DRAWING NO NUMERO	
MATERIAL MATERIALE		APPLICATION SPEC SPEC DI APPLICAZIONE	SIZE	RESTRICTED TO
FINISH FINITURA		WEIGHT PESO	CAGE CODE	SCALE
-		-	A3 00779	5:1
DIAM. ISOLANTE INSUL. RANGE		DRAWING NO NUMERO		SHEET FOGLIO
3.0-4.3mmø		G-160429		1 OF 1
RANGO FILO WIRE RANGE		CUSTOMER DRAWING DISEGNO PER CLIENTE SOLO PER RIFERIMENTO		REV
1.0-2.5mm²		SCALE SCALA		AG5

X-ON Electronics

Largest Supplier of Electrical and Electronic Components

Click to view similar products for [Terminals](#) category:

Click to view products by [TE Connectivity](#) manufacturer:

Other Similar products are found below :

[00-054007-01074-6](#) [00-054007-70206-1](#) [00-054007-70210-8](#) [00-054007-70217-7](#) [00-054007-70226-9](#) [00-054007-70228-3](#) [00-054007-70248-1](#) [00-054007-70256-6](#) [00-054007-70301-3](#) [00-054007-70316-7](#) [00-054007-49560-4](#) [00-054007-70209-2](#) [00-054007-70225-2](#) [00-054007-70227-6](#) [00-054007-70231-3](#) [00-054007-70241-2](#) [00-054007-70242-9](#) [00-054007-70244-3](#) [00-054007-70246-7](#) [00-054007-70263-4](#) [00-054007-70288-7](#) [00-054007-70290-0](#) [00-054007-70300-6](#) [00-054007-70304-4](#) [01-2065-1-0216](#) [01-2900-1-04412](#) [00581P0075](#) [600TS-10](#) [60205-1](#) [604200-1](#) [605601-1](#) [60598-1-CUT-TAPE](#) [61314-6-C](#) [61810-3](#) [61-S](#) [61-SN](#) [626-0194](#) [62-NBM-A](#) [62-SN](#) [62-SP](#) [63-S](#) [640179-1](#) [M55155/059I03](#) [M55155/079C01](#) [M55155/099H02](#) [M55155/109H01](#) [M55155/109H02](#) [M55155/12XH05](#) [M55155/16XH02](#) [M55155/29-5S](#)