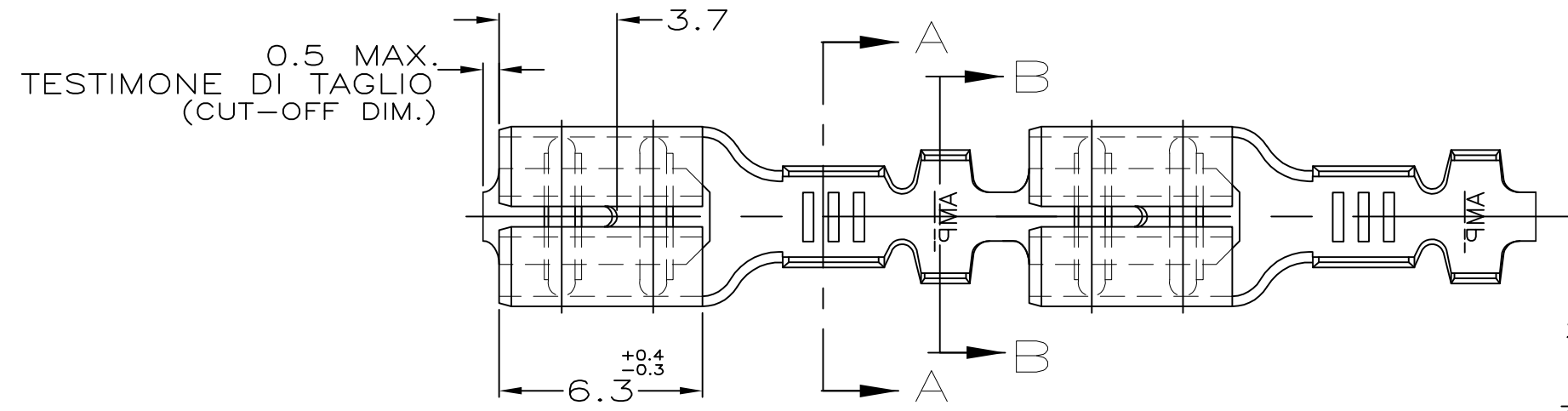


THIS DRAWING IS UNPUBLISHED.
 QUESTO DISEGNO NON DEVE ESSERE DIVULGATO O RIPRODOTTO

RELEASED FOR PUBLICATION
 E' CONSENTITA LA DIVULGAZIONE
 ALL RIGHTS RESERVED.
 TUTTI I DIRITTI SONO RISERVATI

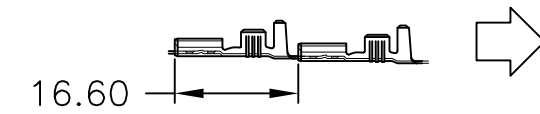
© COPYRIGHT - By -

LOC	DIST	REVISIONS REVISIONI			
P	LTR REV	DESCRIPTION DESCRIZIONE	DATE DATA	DWN DIS.	APVD APP.
	AG4	REVISED PER ECO-11-005301	02MAR11	RK	HMR
	AG5	REVISED PER ECR-15-017205	26NOV15	LP	T.D



1) STATO DI FORNITURA - SCALA 1:1
 (SUPPLY CONDITION - SCALE 1:1)

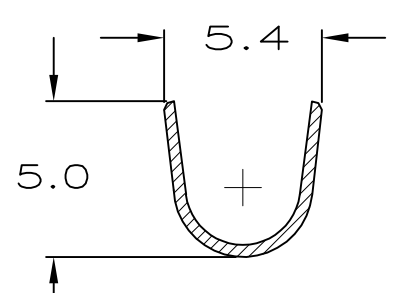
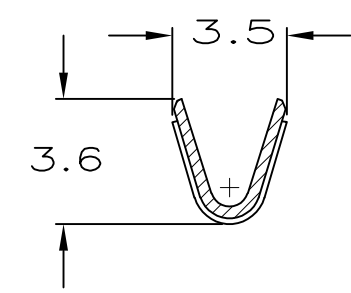
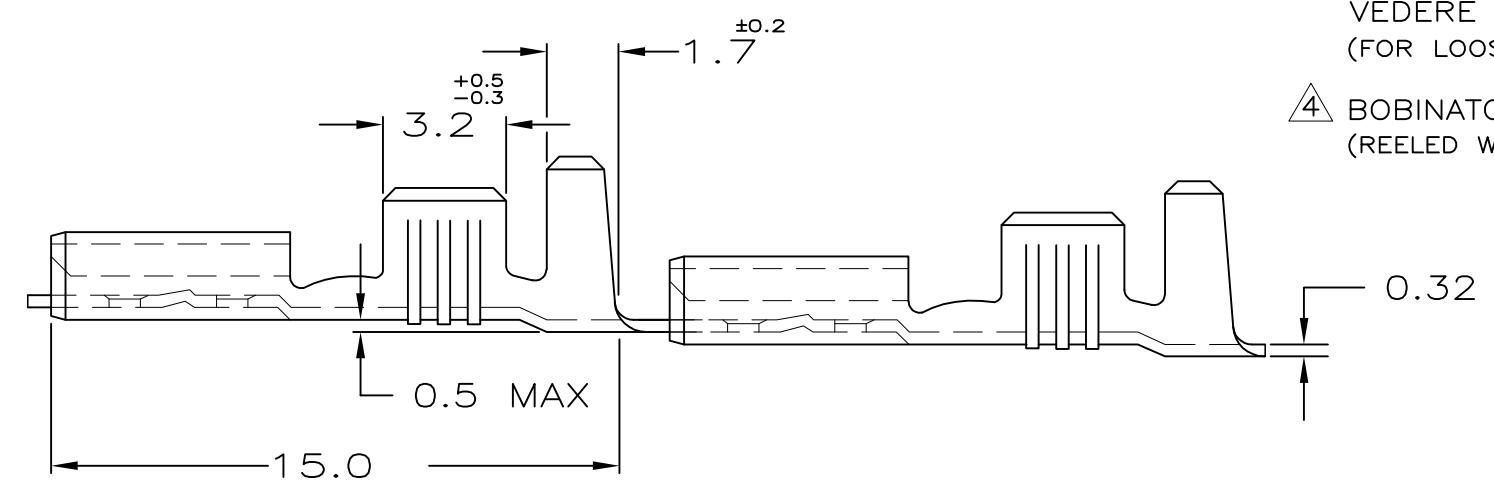
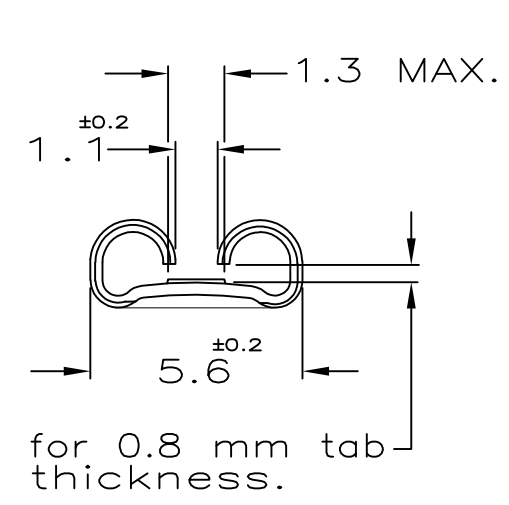
SENSO DI USCITA
 DEL TERMINALE
 DALLA BOBINA
 (DIRECTION OFF
 TOP OF REEL)



2) SPECIFICA DI PRODOTTO 108-20019
 (PRODUCT SPEC. 108-20019)

3) PER LE VERSIONI IN PEZZI SCIOLTI
 VEDERE DISEGNO 160491
 (FOR LOOSE PIECE VERSION SEE DRAWING 160491).

4 BOBINATO CON CARTA INTERPOSTA
 (REELED WITH INTERLEAVE PAPER STRIP)



	4	TIN PLATED	BRASS	6-160429-2	
		STAGNATO (TIN PLATED)	BRONZO FOSF. (PH. BRONZE)	5-160429-6	
OBSOLETE	4	PRE NICHELATO (PRE NICKEL PL.)	ACCIAIO (STEEL)	5-160429-4	
		STAGNATO (TIN PLATED)	OTTONE (BRASS)	5-160429-2	
	4	NUDO (UNPLATED)	OTTONE (BRASS)	5-160429-1	
NOTE		FINITURA/COLORE (FINISH/COLOR)	MATERIALE (MATERIAL)	NUMERO (P/N)	REV

THIS DRAWING IS A CONTROLLED DOCUMENT.
 QUESTO DISEGNO E' UN DOCUMENTO CONTROLLATO.

DIMENSIONS: DIMENSIONI: mm

TOLERANCES UNLESS OTHERWISE SPECIFIED: TOLLERANZE: SE NON DIVERSAMENTE SPECIFICATO

0 PLC / DEC ± -
 1 PLC / DEC ± 0.3
 2 PLC / DEC ± -
 3 PLC / DEC ± -
 4 PLC / DEC ± -
 ANGLES / ANGOLI ± 2'

MATERIAL MATERIALE

FINISH FINITURA

DWN / DIS. H.YAALI 01 FEB 2000
 CHK / CONT. C.TARTARI 01 FEB 2000
 APVD / APP. -
 PRODUCT SPEC SPEC DI PRODOTTO -
 APPLICATION SPEC SPEC DI APPLICAZIONE -
 WEIGHT PESO -

NAME NOME -
 FASTON Connector,
 .187 sr. REC. CONTACT.

SIZE A3 CAGE CODE 00779 DRAWING NO. G-160429 RESTRICTED TO -

CUSTOMER DRAWING DISEGNO PER CLIENTE SOLO PER RIFERIMENTO SCALE SCALA 5:1 SHEET FOGLIO 1 OF DI 1 REV AG5

X-ON Electronics

Largest Supplier of Electrical and Electronic Components

Click to view similar products for [Terminals](#) category:

Click to view products by [TE Connectivity](#) manufacturer:

Other Similar products are found below :

[00-054007-01074-6](#) [00-054007-70206-1](#) [00-054007-70210-8](#) [00-054007-70217-7](#) [00-054007-70226-9](#) [00-054007-70228-3](#) [00-054007-70248-1](#) [00-054007-70256-6](#) [00-054007-70301-3](#) [00-054007-70316-7](#) [00-054007-49560-4](#) [00-054007-70209-2](#) [00-054007-70225-2](#) [00-054007-70227-6](#) [00-054007-70231-3](#) [00-054007-70241-2](#) [00-054007-70242-9](#) [00-054007-70244-3](#) [00-054007-70246-7](#) [00-054007-70263-4](#) [00-054007-70288-7](#) [00-054007-70290-0](#) [00-054007-70300-6](#) [00-054007-70304-4](#) [01-2065-1-0216](#) [01-2900-1-04412](#) [00581P0075](#) [600TS-10](#) [60205-1](#) [604200-1](#) [605601-1](#) [60598-1-CUT-TAPE](#) [61314-6-C](#) [61810-3](#) [61-S](#) [61-SN](#) [626-0194](#) [62-NBM-A](#) [62-SN](#) [62-SP](#) [63-S](#) [640179-1](#) [M55155/059I03](#) [M55155/079C01](#) [M55155/099H02](#) [M55155/109H01](#) [M55155/109H02](#) [M55155/12XH05](#) [M55155/16XH02](#) [M55155/29-5S](#)