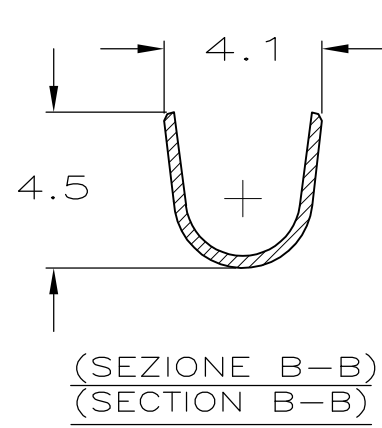
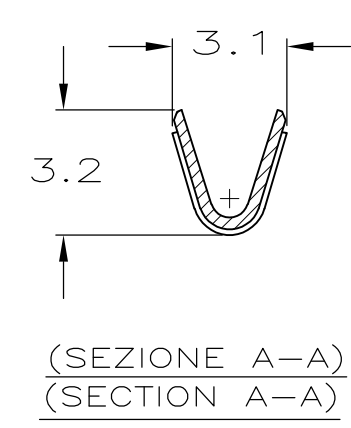
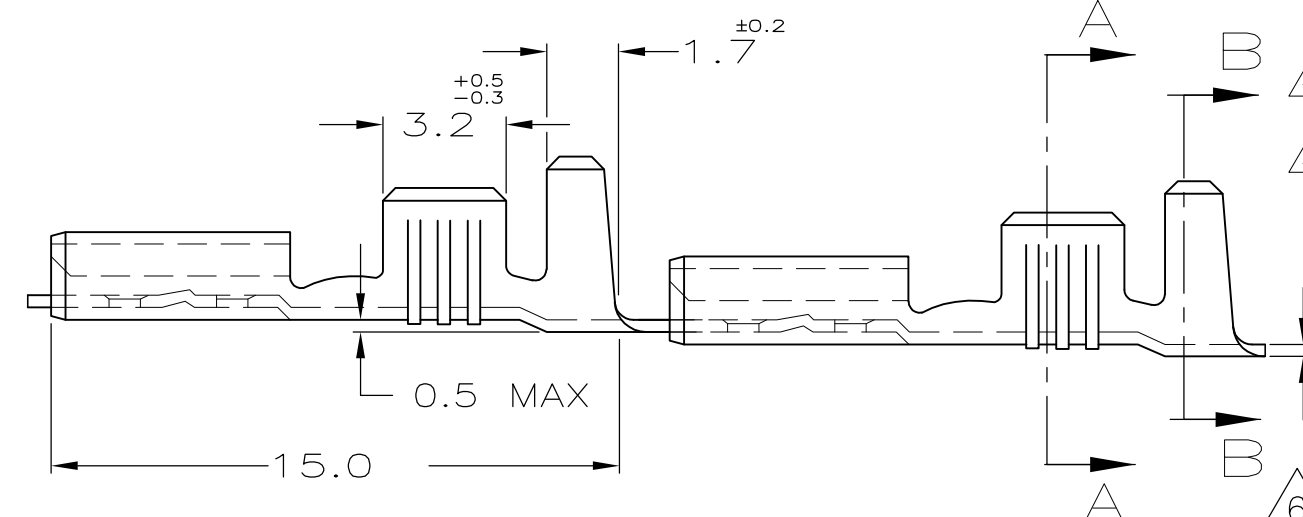
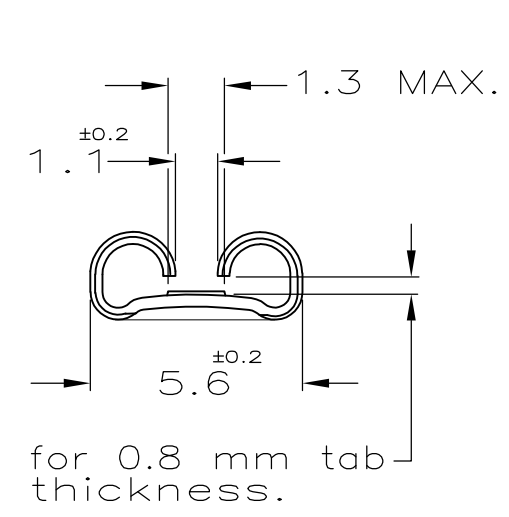
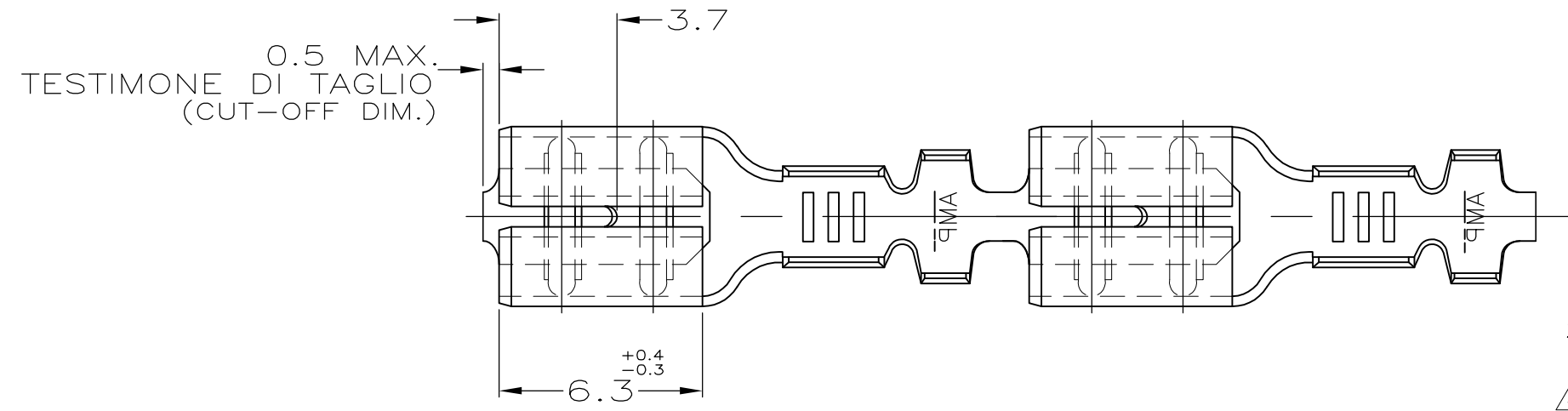


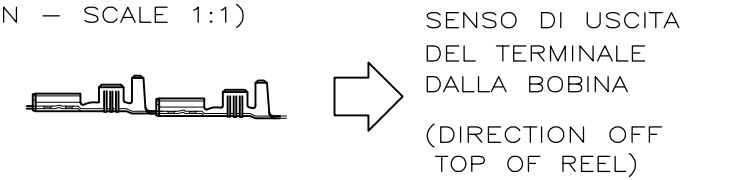
THIS DRAWING IS UNPUBLISHED.
 QUESTO DISEGNO NON DEVE ESSERE DIVULGATO O RIPRODOTTO

RELEASED FOR PUBLICATION
 E' CONSENTITA LA DIVULGAZIONE
 ALL RIGHTS RESERVED.
 TUTTI I DIRITTI SONO RISERVATI

LOC	DIST	REVISIONS REVISIONI			
P	LTR REV	DESCRIPTION DESCRIZIONE	DATE DATA	DWN DIS.	APVD APP.
—	—	AZ7	REVISED PER ECO-11-005301	02MAR11	RK HMR



- 1) STATO DI FORNITURA - SCALA 1:1
(SUPPLY CONDITION - SCALE 1:1)
- 2) SPECIFICA DI PRODOTTO 108-20019
(PRODUCT SPEC. 108-20019)
- 3) PER LE VERSIONI IN PEZZI SCIOLTI
VEDERE DISEGNO 160490
(FOR LOOSE PIECE VERSION SEE DRAWING 160490).
- 4) BOBINATO CON CARTA INTERPOSTA
(REELED WITH INTERLEAVE PAPER STRIP)
- 5) FABBRICATO IN TE CONNECTIVITY BRASIL, QUANTITA'
PER BOBINA 15M.
(MANUFACTURED IN TE CONNECTIVITY BRASIL, Q.TY/REEL 15M).



6) OBSOLETE PARTS: OBSOLETE CIS STREAMLINING PER D.RENAUD/D.SINISI

NOTE	FINITURA/COLORE (FINISH/COLOR)	MATERIALE (MATERIAL)	NUMERO (P/N)	REV
4/5	STAGNATO (TIN PLATED)	OTTONE (BRASS)	7-160430-7	AZ
5/4	NUDO (UNPLATED)	OTTONE (BRASS)	7-160430-6	AZ
4	NUDO (UNPLATED)	OTTONE (BRASS)	6-160430-6	AZ
4	STAGNATO (TIN PLATED)	OTTONE (BRASS)	5-160430-7	AZ
4	STAGNATO (TIN PLATED)	BRONZO FOSF. (PH. BRONZE)	5-160430-6	AY
4	PRE NICHELATO (PRE NICKEL PL.)	ACCIAIO (STEEL)	5-160430-4	AZ

SUPERSEDED BY
63850-1

DIAM. ISOLANTE INSUL. RANGE	RANGO FILO WIRE RANGE
2.3-3.3mm ϕ	0.5 - 1.5mm ²

THIS DRAWING IS A CONTROLLED DOCUMENT. QUESTO DISEGNO E' UN DOCUMENTO CONTROLLATO.		DWN/DIS. H.YAALI 01 FEB 2000	STE TE Connectivity	
DIMENSIONS: DIMENSIONI: mm		CHK/CONT. C.TARTARI 01 FEB 2000		
TOLERANCES UNLESS OTHERWISE SPECIFIED: TOLLERANZE: SE NON DIVERSAMENTE SPECIFICATO		APVD / APP.	NAME NOME	
0 PLC / DEC \pm - 1 PLC / DEC \pm 0.3 2 PLC / DEC \pm - 3 PLC / DEC \pm - 4 PLC / DEC \pm - ANGLES / ANGOLI \pm 2'		PRODUCT SPEC SPEC DI PRODOTTO	FASTON Connector, .187 sr. REC. CONTACT.	
MATERIAL MATERIALE		APPLICATION SPEC SPEC DI APPLICAZIONE	SIZE	CAGE CODE
FINISH FINITURA		WEIGHT PESO	A3	00779
		CUSTOMER DRAWING DISEGNO PER CLIENTE SOLO PER RIFERIMENTO	DRAWING NO NUMERO	RESTRICTED TO
		SCALE SCALA 5:1	G-160430	—
		SHEET FOGLIO 1 OF DI 1	REV AZ7	

X-ON Electronics

Largest Supplier of Electrical and Electronic Components

Click to view similar products for [Terminals](#) category:

Click to view products by [TE Connectivity](#) manufacturer:

Other Similar products are found below :

[00-054007-01074-6](#) [00-054007-70206-1](#) [00-054007-70210-8](#) [00-054007-70217-7](#) [00-054007-70226-9](#) [00-054007-70228-3](#) [00-054007-70248-1](#) [00-054007-70256-6](#) [00-054007-70301-3](#) [00-054007-70316-7](#) [00-054007-49560-4](#) [00-054007-70209-2](#) [00-054007-70225-2](#) [00-054007-70227-6](#) [00-054007-70231-3](#) [00-054007-70241-2](#) [00-054007-70242-9](#) [00-054007-70244-3](#) [00-054007-70246-7](#) [00-054007-70263-4](#) [00-054007-70288-7](#) [00-054007-70290-0](#) [00-054007-70300-6](#) [00-054007-70304-4](#) [01-2065-1-0216](#) [01-2900-1-04412](#) [00581P0075](#) [600TS-10](#) [60205-1](#) [604200-1](#) [605601-1](#) [60598-1-CUT-TAPE](#) [61314-6-C](#) [61810-3](#) [61-S](#) [61-SN](#) [626-0194](#) [62-NBM-A](#) [62-SN](#) [62-SP](#) [63-S](#) [640179-1](#) [M55155/059I03](#) [M55155/079C01](#) [M55155/099H02](#) [M55155/109H01](#) [M55155/109H02](#) [M55155/12XH05](#) [M55155/16XH02](#) [M55155/29-5S](#)