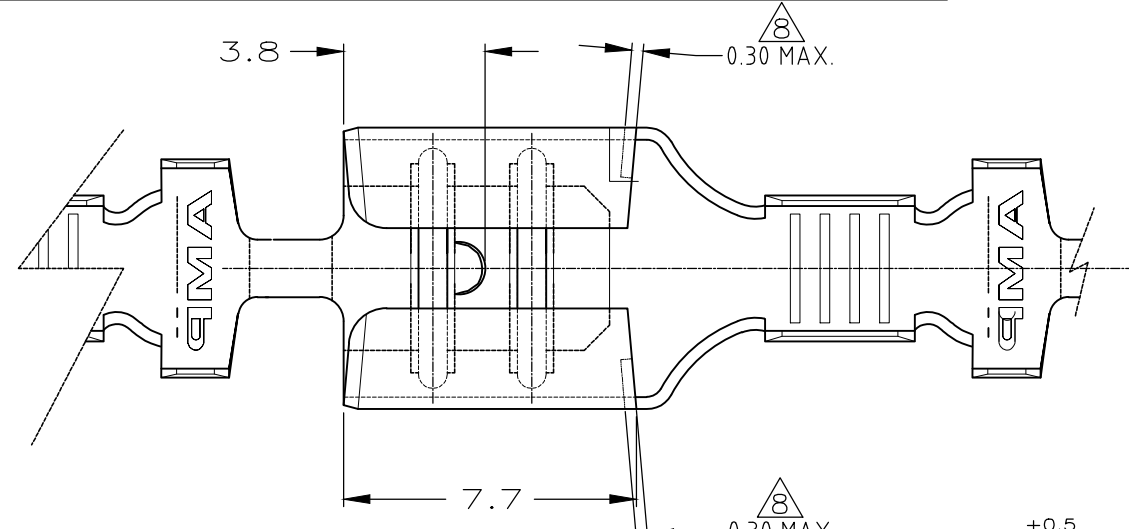
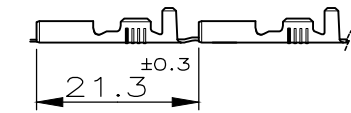


THIS DRAWING IS UNPUBLISHED. RELEASED FOR PUBLICATION
 © COPYRIGHT - By - ALL RIGHTS RESERVED.

REVISIONS					
P	LTR	DESCRIPTION	DATE	DWN	APVD
	AW9	REVISED PER ECR-19-003911	12MAR2019	BH	E.W



1) STATO DI FORNITURA - SCALA 1:1
 (SUPPLY CONDITION - SCALE 1:1)



SENDO DI USCITA DEL TERMINALE DALLA BOBINA
 (DIRECTION OFF TOP OF REEL)

△ SPECIFICA DI PRODOTTO 108-20019
 (PRODUCT SPEC. 108-20019)
 SPECIFICA DI APPLICAZIONE 114-20023
 (APPLICATION SPEC. 114-20023).

3) PER LE VERSIONI IN PEZZI SCIOLTI
 VEDERE DISEGNO 160506
 (FOR LOOSE PIECE VERSION SEE DRAWING 160506).

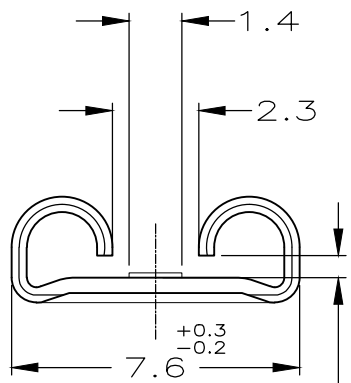
△ 4 NON IN PRODUZIONE
 (NOT YET RELEASE FOR PRODUCTION)

△ 5 ADATTO PER ALTA FORZA DI ESTRAZIONE
 (SUITABLE FOR HIGHER EXTRACTION FORCE)

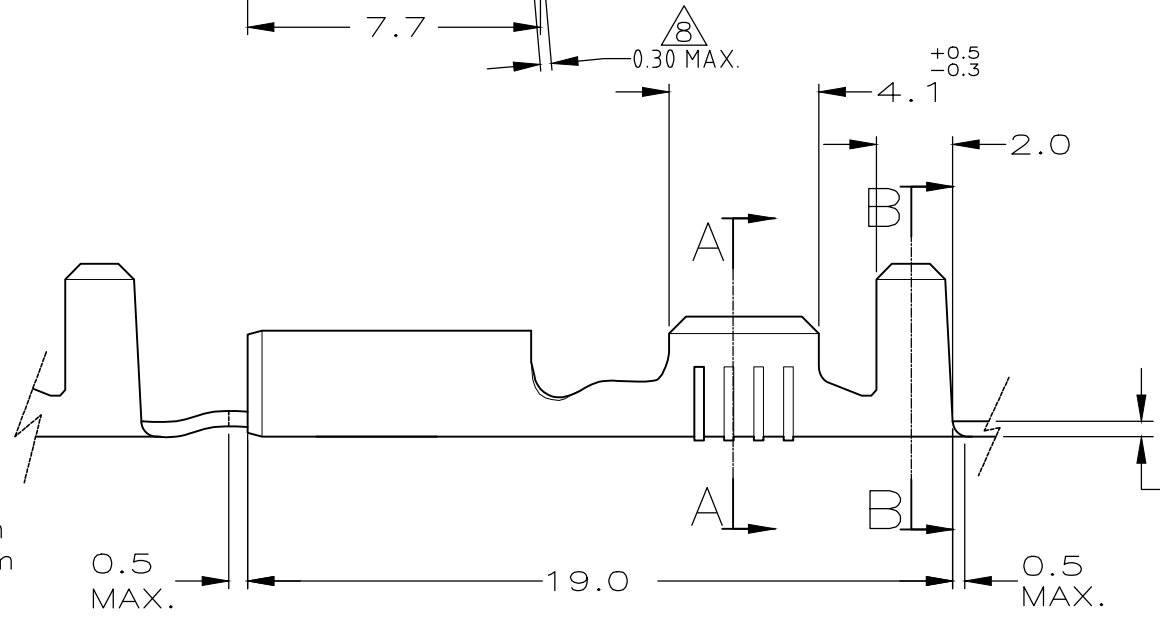
△ 6 ADATTO PER TAB SPESSO 0.63mm.
 (FOR 0.63mm TAB THK.)

△ 7 PACKAGE WITH INTERLAYER PAPER
 0.4 MAT. THK.

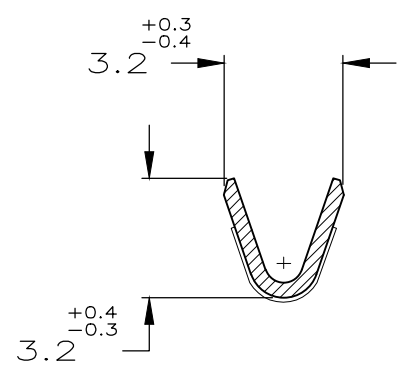
△ 8 CUT-OFF OFFSET IS ALLOWED BY 0.3mm MAX.
 THIS MAY BE REQUIRED FOR MANUFACTURING,
 BUT WILL NOT IMPACT THE INTENDED PERFORMANCE
 OF THE CONTACT.



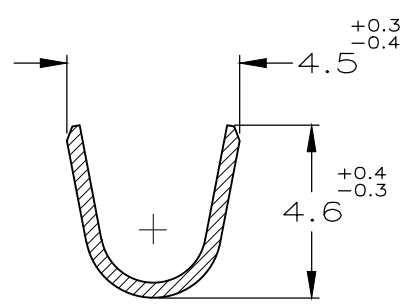
FOR 0.8mm & 0.63mm
 TAB THK.



SEZIONE A-A
 (SECTION A-A)



SEZIONE B-B
 (SECTION B-B)



△ 7	△ 4	STAGNATO (TINPLATED)	OTTONE (BRASS)	7-160432-4	AY
△ 6	△ 4	STAGNATO (TINPLATED)	OTTONE (BRASS)	7-160432-3	AY
△ 5	△ 4	STAGNATO (TINPLATED)	OTTONE (BRASS)	7-160432-2	AW
△ 5	△ 4	NUDO (UNPLATED)	OTTONE (BRASS)	7-160432-1	AW
		STAGNATO (TINPLATED)	OTTONE (BRASS)	7-160432-0	AU
		NUDO (UNPLATED)	BRONZO FOSF.(PH. BRONZE)	6-160432-4	AU
		PRE NICHELATO (PRE NICKEL PLATED)	ACCIAIO (STEEL)	6-160432-3	AU
		STAGNATO (TINPLATED)	BRONZO FOSF.(PH. BRONZE)	6-160432-0	AU
		ARGRNTATO (SILVER PLATED)	OTTONE (BRASS)	5-160432-7	AW
		STAGNATO (TINPLATED)	OTTONE (BRASS)	5-160432-4	AU
		NUDO (UNPLATED)	OTTONE (BRASS)	5-160432-3	AW
NOTE (NOTES)		FINITURA (FINISH)	MATERIALE (MATERIAL)	NUMERO (P/N)	REV

THIS DRAWING IS A CONTROLLED DOCUMENT.

DIMENSIONS:	TOLERANCES UNLESS OTHERWISE SPECIFIED:
mm	±0.3
0 PLC	±
1 PLC	±
2 PLC	±
3 PLC	±
4 PLC	±
ANGLES	±2°

MATERIAL / MATERIALE: SEE TABLE (VEDI LA TABELLA)
 FINISH / FINITURA: SEE TABLE (VEDI LA TABELLA)

DWN	H.YAALI	14 MAY 99
CHK	C.TARTARI	14 MAY 99
APVD		
PRODUCT SPEC		
APPLICATION SPEC		
WEIGHT	0.785	
CUSTOMER DRAWING		



FASTON® Connector
 .250 SERIES REC. CONTACT

SIZE	CAGE CODE	DRAWING NO	RESTRICTED TO
A3	00779	C-160432	-
SCALE	-	SHEET	1 OF 1
REV	AW9		

X-ON Electronics

Largest Supplier of Electrical and Electronic Components

Click to view similar products for [Terminals](#) category:

Click to view products by [TE Connectivity](#) manufacturer:

Other Similar products are found below :

[00-054007-01074-6](#) [00-054007-70206-1](#) [00-054007-70210-8](#) [00-054007-70217-7](#) [00-054007-70226-9](#) [00-054007-70228-3](#) [00-054007-70248-1](#) [00-054007-70256-6](#) [00-054007-70301-3](#) [00-054007-70316-7](#) [00-054007-49560-4](#) [00-054007-70209-2](#) [00-054007-70225-2](#) [00-054007-70227-6](#) [00-054007-70231-3](#) [00-054007-70241-2](#) [00-054007-70242-9](#) [00-054007-70244-3](#) [00-054007-70246-7](#) [00-054007-70263-4](#) [00-054007-70288-7](#) [00-054007-70290-0](#) [00-054007-70300-6](#) [00-054007-70304-4](#) [01-2065-1-0216](#) [01-2900-1-04412](#) [00581P0075](#) [600TS-10](#) [60205-1](#) [604200-1](#) [605601-1](#) [60598-1-CUT-TAPE](#) [61314-6-C](#) [61810-3](#) [61-S](#) [61-SN](#) [626-0194](#) [62-NBM-A](#) [62-SN](#) [62-SP](#) [63-S](#) [640179-1](#) [M55155/059I03](#) [M55155/079C01](#) [M55155/099H02](#) [M55155/109H01](#) [M55155/109H02](#) [M55155/12XH05](#) [M55155/16XH02](#) [M55155/29-5S](#)