

LOC
A1

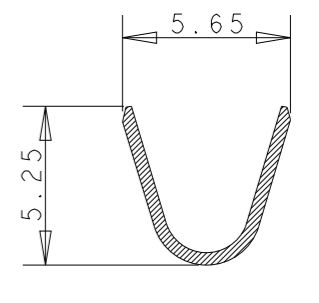
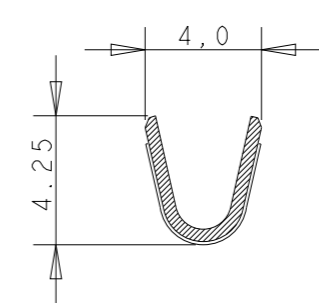
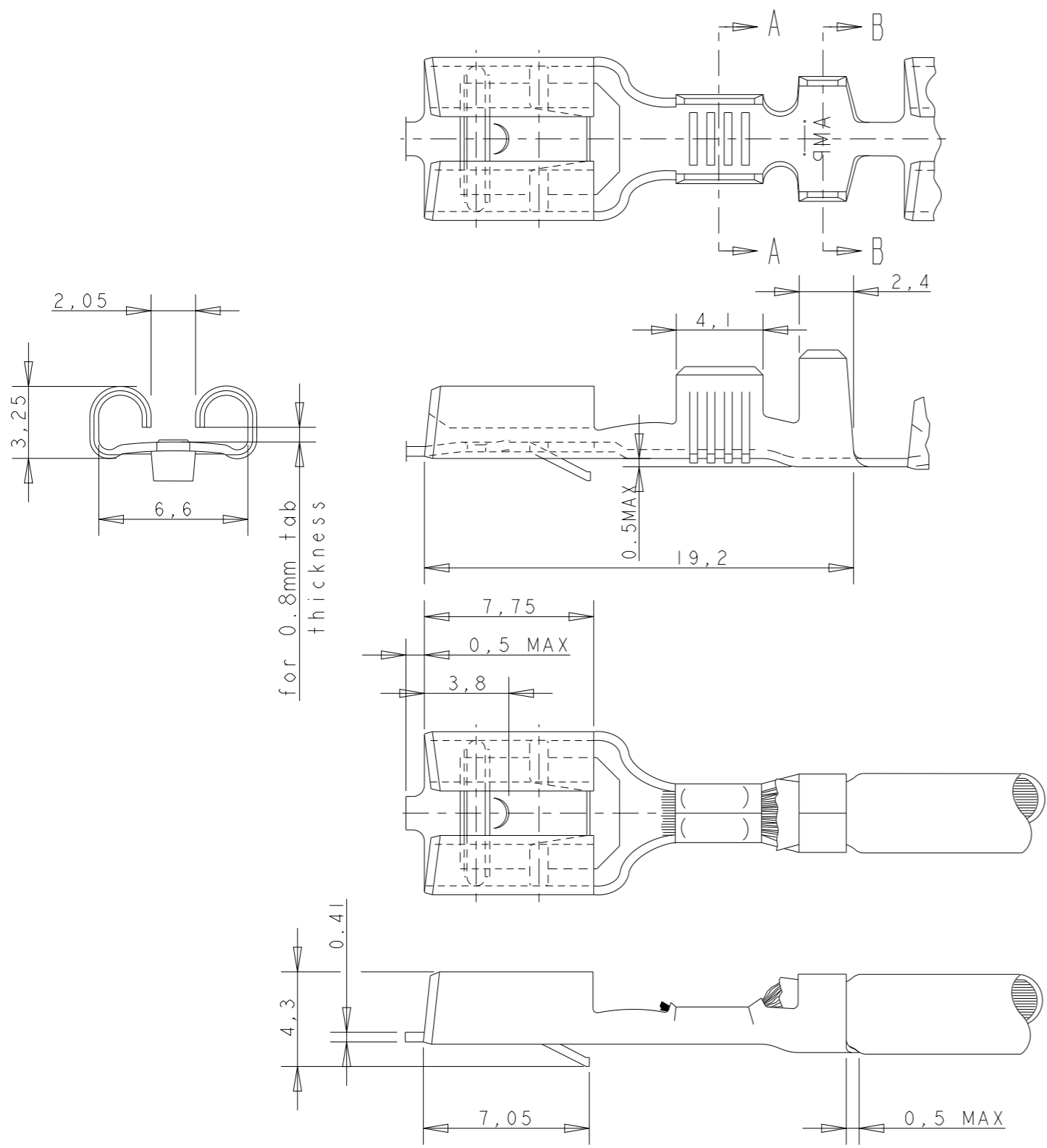
DIST
-

REVISIONS

P	LTR	DESCRIPTION	DATE	DWN	APVD
	H2	REVISED PER ECO-11-005294	21MAR2011	RK	HMR
	J	REVISED PER ECR-21-100134	15FEB2021	BDA	DH

NOTES:

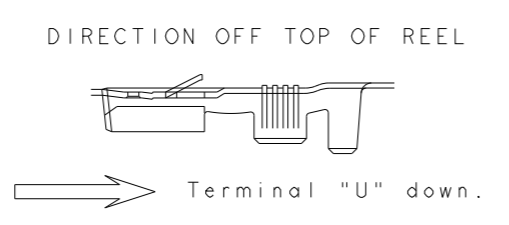
- 1 FOR USE ON MINIATURE APPLICATORS (LEFT-RIGHT FEED) AND STANDARD APPLICATORS (RIGHT-LEFT FEED).
- 2 FOR USE ON MINIATURE APPLICATORS (AMP-O-MATOR APPLICATION). (LEFT-RIGHT FEED).
- 3 OBSOLETE PARTS: OBSOLETE CIS STREAMLINING PER D.RENAUD/D.SINISI



OBSOLETE		FINISH	MATERIAL	PART NUMBER
3	1	PRE-TINPLATED	PH.BRONZE	6-160446-8
	1	PRE-TINPLATED	BRASS	6-160446-7
	1 2	TINPLATED	PH.BRONZE	6-160446-6
	1 2	SILVER OVER NICKEL PLATED	PH.BRONZE	5-160446-8
	1 2	SILVER OVER NICKEL PLATED	BRASS	5-160446-6
	1	TINPLATED	BRASS	5-160446-5
	1	UNPLATED	BRASS	5-160446-4
	1	TINPLATED	PH.BRONZE	5-160446-2
	1	UNPLATED	PH.BRONZE	5-160446-1

GENERAL TOLERANCES ±0.3

WIRE RANGE :
1,0-2,5 mm²
INSULATION RANGE :
3,0-4,1mm DIA.



THIS DRAWING IS A CONTROLLED DOCUMENT.

DIMENSIONS: mm	TOLERANCES UNLESS OTHERWISE SPECIFIED:
	0 PLC ±
	1 PLC ±
	2 PLC ±
	3 PLC ±
	4 PLC ±
	ANGLES ±1°
MATERIAL SEE TABLE	FINISH SEE TABLE

DWN	J.V.LIEMPT.	21MARI992
CHK	A.BIJNEN.	-
APVD	L.V.SOEST.	-
PRODUCT SPEC	-	-
APPLICATION SPEC	-	-
WEIGHT	-	-
CUSTOMER DRAWING		



TE Connectivity			
NAME .250 SRS FASTIN-ON RECEPTACLE			
SIZE	CAGE CODE	DRAWING NO	RESTRICTED TO
A3	00779	C-160446	
SCALE	SHEET	OF	REV
			J

X-ON Electronics

Largest Supplier of Electrical and Electronic Components

Click to view similar products for [Terminals](#) category:

Click to view products by [TE Connectivity](#) manufacturer:

Other Similar products are found below :

[00-054007-01074-6](#) [00-054007-70206-1](#) [00-054007-70210-8](#) [00-054007-70217-7](#) [00-054007-70226-9](#) [00-054007-70228-3](#) [00-054007-70248-1](#) [00-054007-70256-6](#) [00-054007-70301-3](#) [00-054007-70316-7](#) [00-054007-49560-4](#) [00-054007-70209-2](#) [00-054007-70225-2](#) [00-054007-70227-6](#) [00-054007-70231-3](#) [00-054007-70241-2](#) [00-054007-70242-9](#) [00-054007-70244-3](#) [00-054007-70246-7](#) [00-054007-70263-4](#) [00-054007-70288-7](#) [00-054007-70290-0](#) [00-054007-70300-6](#) [00-054007-70304-4](#) [01-2065-1-0216](#) [01-2900-1-04412](#) [00581P0075](#) [600TS-10](#) [60205-1](#) [604200-1](#) [605601-1](#) [60598-1-CUT-TAPE](#) [61314-6-C](#) [61810-3](#) [61-S](#) [61-SN](#) [626-0194](#) [62-NBM-A](#) [62-SN](#) [62-SP](#) [63-S](#) [640179-1](#) [M55155/059I03](#) [M55155/079C01](#) [M55155/099H02](#) [M55155/109H01](#) [M55155/109H02](#) [M55155/12XH05](#) [M55155/16XH02](#) [M55155/29-5S](#)