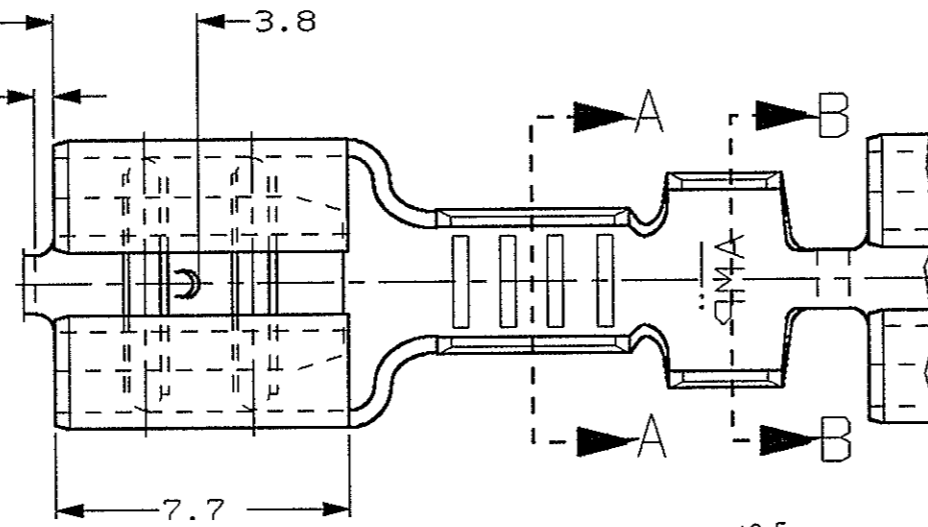


SCALA NON IMPEGNATIVA
(DO NOT SCALE)
DIMENSIONI IN mm
(DIMENSIONS IN)

METRIC

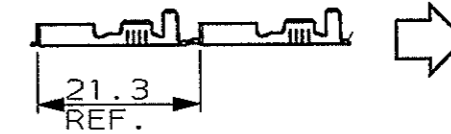
THIRD ANGLE
PROJECTION

0.5 MAX.
TESTIMONE DI TAGLIO
(CUT-OFF DIM.)



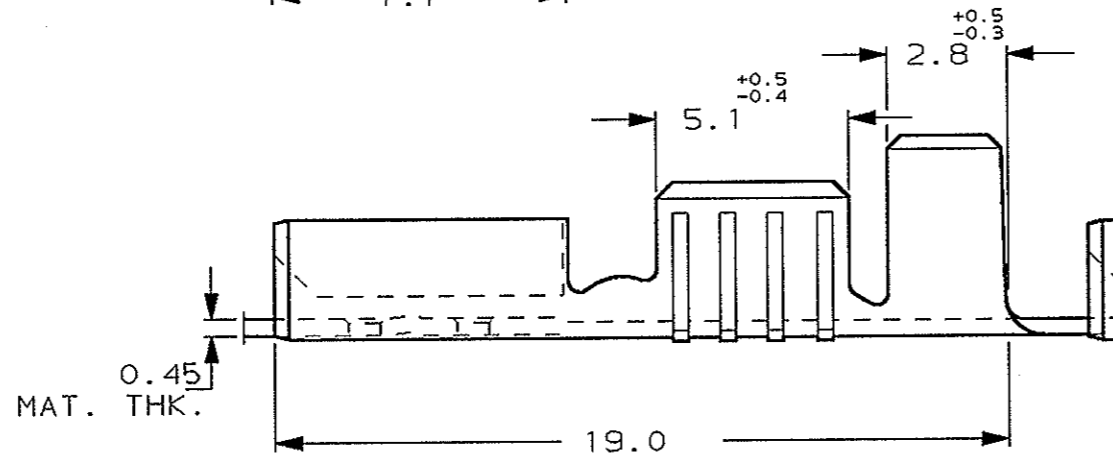
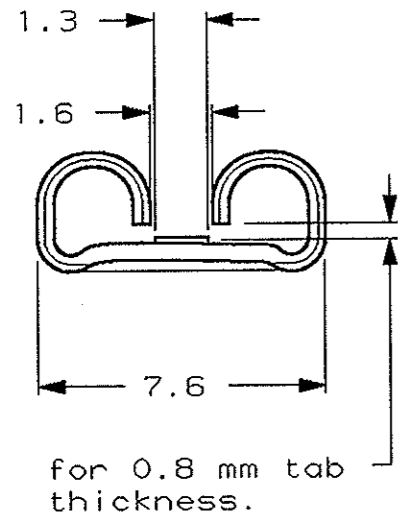
1) STATO DI FORNITURA - SCALA 1:1
(SUPPLY CONDITION - SCALE 1:1)

SENSO DI USCITA
DEL TERMINALE
DALLA BOBINA
(DIRECTION OFF
TOP OF REEL)



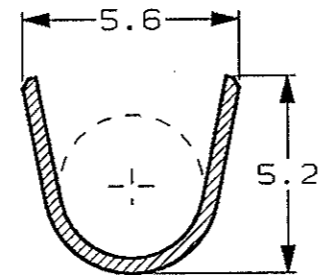
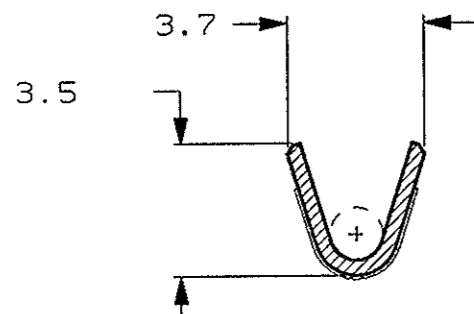
2) SPECIFICA DI PRODOTTO 108-20019
(PRODUCT SPEC. 108-20019)

3) PER LE VERSIONI IN PEZZI SCIOLTI
VEDERE DISEGNO 160563 & 160742
(FOR LOOSE PIECE VERSION SEE DRAWING 160563 & 160742).



SEZIONE A-A
(SECTION A-A)

SEZIONE B-B
(SECTION B-B)



STAGNATO (TIN PLATED)	BRONZO FOSF. (PHOS. BRONZE)	6-160465-1	AH
STAGNATO (TIN PLATED)	OTTONE (BRASS)	6-160465-0	AH
NUDO (UNPLATED)	OTTONE (BRASS)	5-160465-1	AH
FINITURA / COLORE (FINISH / COLOUR)	MATERIALE (MATERIAL)	NUMERO (AMP P/N)	REV

CUSTOMER DWG. FOR REFERENCE ONLY **DISEGNO PER CLIENTE SOLO PER RIFERIMENTO**

THIS DRAWING IS UNPUBLISHED RELEASE FOR PUBLICATION 19
© COPYRIGHT 19 BY AMP INCORPORATED, HARRISBURG, PA. ALL INTERNATIONAL RIGHT RESERVED. AMP PRODUCTS MAY BE COVERED BY U.S. AND FOREIGN PATENT AND/OR PATENT PENDING

TOLLERANZE: SE NON DIVERSAMENTE SPECIFICATO (TOLERANCES, UNLESS OTHERWISE SPECIFIED)	DIAH. ISOLANTE (INS. DIA. RANGE)	RANGO FILO (WIRE RANGE)	SCALA (SCALE)
± 0.4	3.0-4.3	0.75-1.50	5:1

ANGOLI (ANGLES) ± 2°

AMP AMP ITALIA S.p.A.
Corso F.LLI Cervi, 15
COLLEGNO (TORINO)

AJ3 CORRECT MATERIAL THICKNESS	H.Y.	10-03 2006	DIS. H. YAALI (DR.)	03 AUG 2000	DESCRIZIONE (DESCRIPTION) FASTON® Connector, .250" sr. REC. CONTACT.
AJ2 REVISED ET00-0033-05	H.Y.	03 FEB 2005	CONT. C. TARTARI (CHK)	03 AUG 2000	
AJ1 REVISED ET00-0086-01	H.Y.	17 APR 2001			
AJ OBSOLETE PARTS & REDRAWN ET00-0054-00	H.Y.	08 MAR 2000			LOC. SIZE NUMERO (ORG NO)
REV. (REV. LTR.)	DIS. (DR)	DATA (DATE)	APP. (APP.)		I A3 C-160465 AJ3 1 OF 1

DISTRIBUZIONE (PRINT DIST.)

X-ON Electronics

Largest Supplier of Electrical and Electronic Components

Click to view similar products for [Terminals](#) category:

Click to view products by [TE Connectivity](#) manufacturer:

Other Similar products are found below :

[HT-13-10](#) [71M-250-32-NB](#) [01-2065-1-0216](#) [00581P0075](#) [M10-10RX](#) [M10BCK](#) [60205-1](#) [604200-1](#) [60598-1-CUT-TAPE](#) [60617-1-C](#) [60873-1](#) [M14-516R/SK](#) [M14-6RSX](#) [M18-10FLX](#) [M18-8FBX](#) [M18-8R/LX](#) [M18BCK](#) [61314-6-C](#) [61-S](#) [61-SN-A](#) [62149-1](#) [62-NBM-A](#) [63-S](#) [640179-1](#) [640917-2-CUT-TAPE](#) [6501550002](#) [66107-2-C](#) [66107-4-C](#) [696683-1](#) [696834-1](#) [696861-1](#) [696931-1](#) [696999-1](#) [M8-516RK](#) [M86700006](#) [MA250DMFMX-A](#) [701-2007](#) [701-2307](#) [701-7761-03](#) [70F-110-32-PB](#) [718-N-A](#) [71M-187-20-NBL](#) [71M-250-32-NBL](#) [72F-187-20-NBL](#) [72M-250-32-NBL](#) [7310](#) [73F-250-32](#) [73F-250-32-NBL](#) [73F-250-32-NL](#) [F-1M](#)