

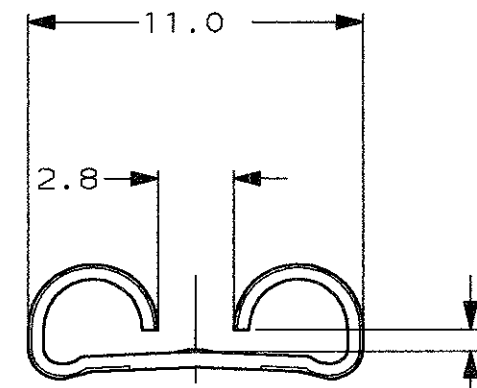
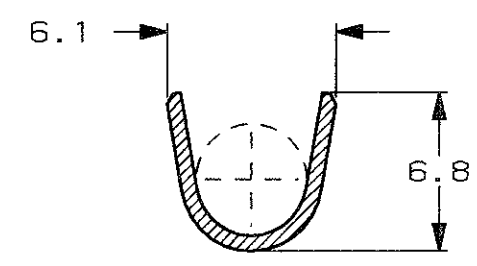
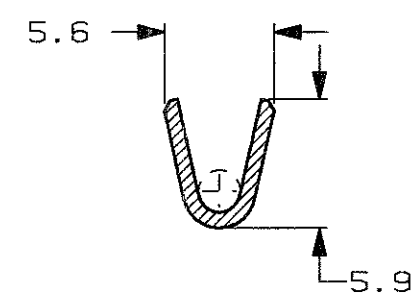
SCALA NON IMPEGNATIVA  
(DO NOT SCALE)  
DIMENSIONI IN mm  
(DIMENSIONS IN mm)

**METRIC**

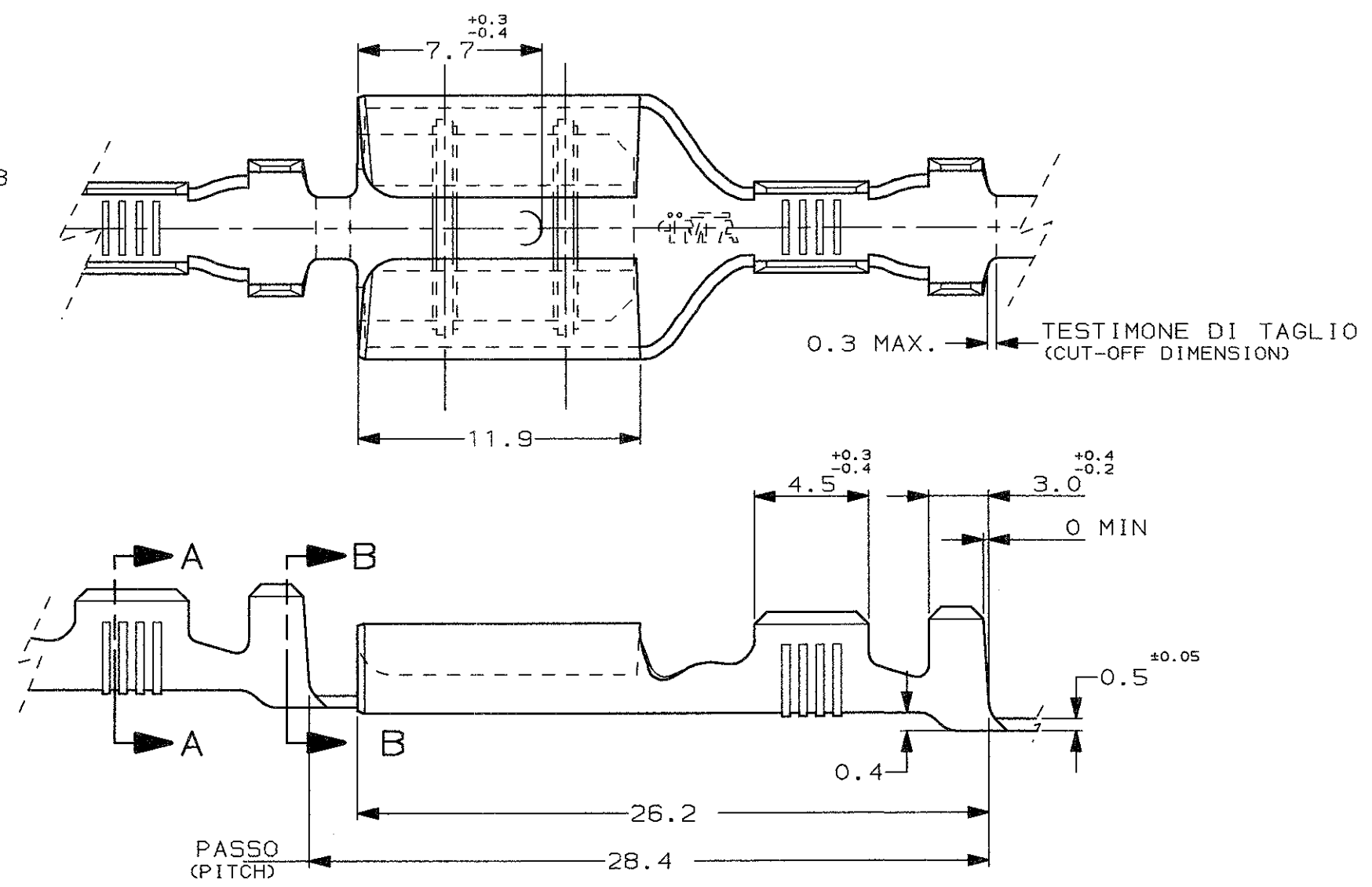
PROIEZIONE EUROPEA  
(EUROPEAN PROJECTION)

**SEZIONE A-A  
(SECTION A-A)**

**SEZIONE B-B  
(SECTION B-B)**



ADATTO PER LINGUETTA DI 1.2 mm  
(TO FIT TAB 1.2 mm THK)



1) STATO DI FORNITURA - SCALA 1:1  
(SUPPLY CONDITION - SCALE 1:1)



SENSO DI USCITA  
DEL TERMINALE  
DALLA BOBINA  
(DIRECTION OFF  
TOP OF REEL)

2) SPECIFICA DI PRODOTTO 108-20019  
(PROD. SPEC. 108-20019).

3) BOBINATO CON FASCIATURA ESTERNA  
(REELED WITH PAPER COVER)

4) OBSOLETE PARTS: OBSOLETE CIS STREAMLINING  
PER D.RENAUD/D.SINISI

4 OBSOLETE

3	NUDO (UNPLATED)	OTTONE (BRASS)	5-160521-8	V
-	NUDO (UNPLATED)	BRONZO FOSF. (PH. BRONZE)	<del>5-160521-3</del>	V
-	STAGNATO (TIN PLATED)	OTTONE (BRASS)	5-160521-2	V
NOTES	FINITURA / COLORE (FINISH / COLOUR)	MATERIALE (MATERIAL)	NUMERO (AMP P/N)	REV.

CUSTOMER DWG. FOR REFERENCE ONLY		DISEGNO PER CLIENTE SOLO PER RIFERIMENTO	
THIS DRAWING IS UNPUBLISHED		RELEASE FOR PUBLICATION 19	
© COPYRIGHT 19 BY AMP INCORPORATED, HARRISBURG, PA. ALL INTERNATIONAL RIGHTS RESERVED. AMP PRODUCTS MAY BE COVERED BY U.S. AND FOREIGN PATENT AND/OR PATENT PENDING			
TOLLERANZE, SE NON DIVERSAMENTE SPECIFICATO (TOLERANCES, UNLESS OTHERWISE SPECIFIED)	DIAM. ISOLANTE (INS. DIA. RANGE)	RANGO FILO (WIRE RANGE) mm <sup>2</sup>	SCALA (SCALE)
± 0.3	4.0-6.0	3.8-5.1	4:1
ANGOLI (ANGLES)	AMP ITALIA S.p.A. Corso F.lli Cervi, 15 COLLEGNO (TORINO)		
V1 REVISED PER ECO-09-022178 KK 22SEP 09	DESCRIZIONE (DESCRIPTION) FASTON® Connector .375" sr. REC. CONTACT		
V OBSOLETE P/NS AND REDRAWN ET00-0305-99 R.F. 08 MAR 00	LOC. SIZE	NUMERO (DWG NO)	REV. FOLGIO (SHEET) (REV.)
REV. REVISIONI (REVISION RECORD)	I A3	C-160521	V1 1 D1 (OF) 1

DISTRIBUZIONE (PRINT DIST.)

## X-ON Electronics

Largest Supplier of Electrical and Electronic Components

*Click to view similar products for [Terminals](#) category:*

*Click to view products by [TE Connectivity](#) manufacturer:*

Other Similar products are found below :

[00-054007-01074-6](#) [00-054007-70206-1](#) [00-054007-70210-8](#) [00-054007-70217-7](#) [00-054007-70226-9](#) [00-054007-70228-3](#) [00-054007-70248-1](#) [00-054007-70256-6](#) [00-054007-70301-3](#) [00-054007-70316-7](#) [00-054007-49560-4](#) [00-054007-70209-2](#) [00-054007-70225-2](#) [00-054007-70227-6](#) [00-054007-70231-3](#) [00-054007-70241-2](#) [00-054007-70242-9](#) [00-054007-70244-3](#) [00-054007-70246-7](#) [00-054007-70263-4](#) [00-054007-70288-7](#) [00-054007-70290-0](#) [00-054007-70300-6](#) [00-054007-70304-4](#) [01-2065-1-0216](#) [01-2900-1-04412](#) [00581P0075](#) [600TS-10](#) [60205-1](#) [604200-1](#) [605601-1](#) [60598-1-CUT-TAPE](#) [61314-6-C](#) [61810-3](#) [61-S](#) [61-SN](#) [626-0194](#) [62-NBM-A](#) [62-SN](#) [62-SP](#) [63-S](#) [640179-1](#) [M55155/059I03](#) [M55155/079C01](#) [M55155/099H02](#) [M55155/109H01](#) [M55155/109H02](#) [M55155/12XH05](#) [M55155/16XH02](#) [M55155/29-5S](#)