

THIS DRAWING IS UNPUBLISHED.

RELEASED FOR PUBLICATION

ALL RIGHTS RESERVED.

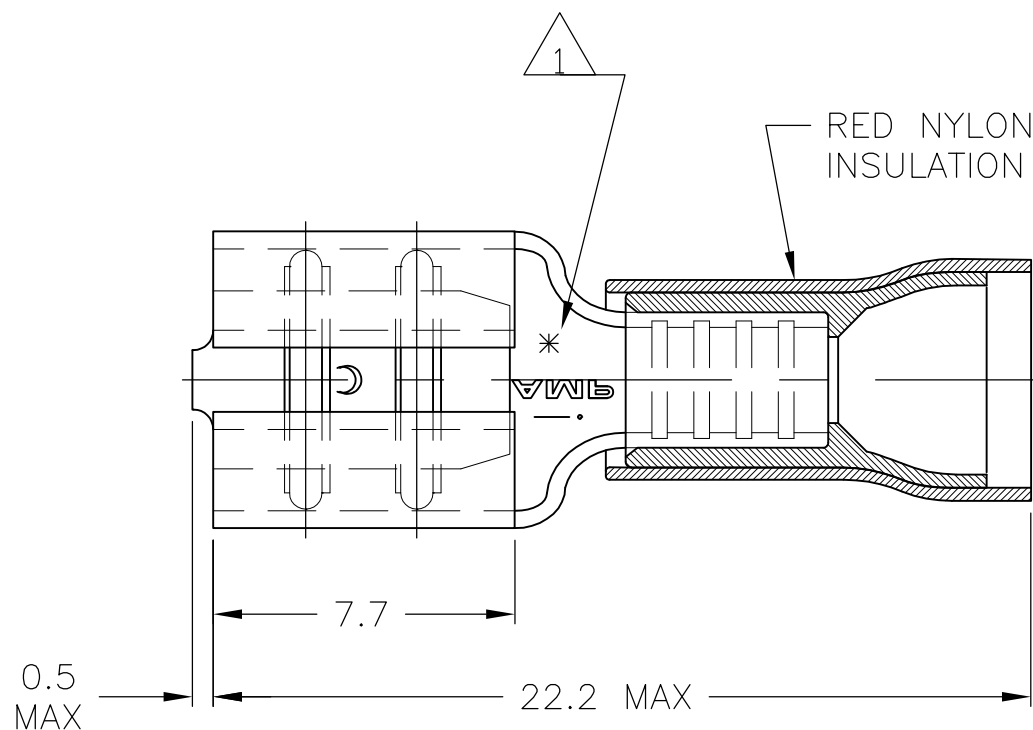
© COPYRIGHT - By -

LOC
G

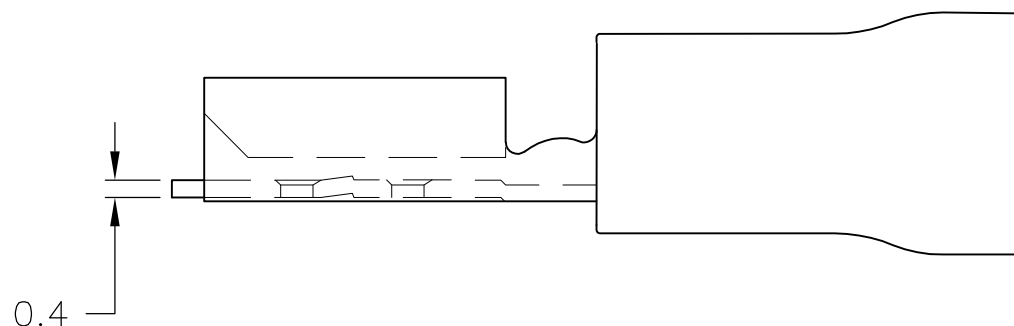
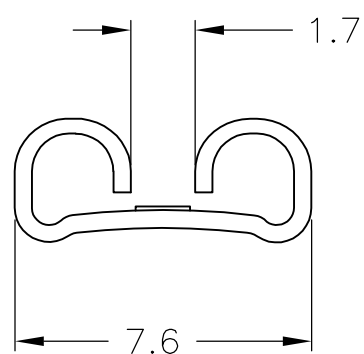
DIST
86

REVISIONS

P	LTR	DESCRIPTION	DATE	DWN	APVD
	L5	REVISED PER ECO-11-004587	11MAR11	RK	HMR



- △ 1 ASTERISK * FOR PHOS BRONZE VERSION ONLY.
- 2 WIRE RANGE: 0,3-1,5mm²
- 3 INSULATION RANGE: 3,5mm MAX DIA.
- 4 MATING TAB THK IS 0,8
- △ 5 SUPERSEDED BY 9-160583-5
- △ 6 SUPERSEDED BY 9-160583-6
- △ 7 SUPERSEDED BY 5-160583-2
- △ 8 SUPERSEDED BY 5-160583-5



PACKAGE TYPE	FINISH	MATERIAL	PART NO.
TAPE MOUNTED	GOLD PLATED	△ 1 PHOS. BRONZE	5-160583-7 △ 8
	SILVER PLATED	△ 1 PHOS. BRONZE	5-160583-6 △ 8
	TIN PLATED	△ 1 PHOS. BRONZE	5-160583-5
	GOLD PLATED	BRASS	5-160583-4 △ 7
	SILVER PLATED	BRASS	5-160583-3 △ 7
	TIN PLATED	BRASS	5-160583-2
LOOSE PIECE	TIN-LEAD	△ 1 PHOS. BRONZE	9-160583-8 △ 5
	GOLD PLATED	△ 1 PHOS. BRONZE	9-160583-7 △ 6
	SILVER PLATED	△ 1 PHOS. BRONZE	9-160583-6
	TIN PLATED	△ 1 PHOS. BRONZE	9-160583-5
	GOLD PLATED	BRASS	9-160583-4 △ 6
	SILVER PLATED	BRASS	9-160583-3 △ 6
	TIN PLATED	BRASS	9-160583-2

THIS DRAWING IS A CONTROLLED DOCUMENT.		DWN JR RUTH 25AUG2004	STE TE Connectivity	
DIMENSIONS: mm		CHK T MICHELUTTI 25AUG04		
TOLERANCES UNLESS OTHERWISE SPECIFIED:		APVD T MICHELUTTI 25AUG04	NAME RECEPTACLE, FASTON, P.I.D.G., .250 SERIES	
0 PLC ± -		PRODUCT SPEC	SIZE	
1 PLC ± -		APPLICATION SPEC	CAGE CODE	
2 PLC ± 0.38		WEIGHT	DRAWING NO	
3 PLC ± -		CUSTOMER DRAWING	RESTRICTED TO	
4 PLC ± -			A3 00779 C-160583	
ANGLES ± -			SCALE 4:1	
FINISH			SHEET 1 OF 1	
MATERIAL			REV L5	

X-ON Electronics

Largest Supplier of Electrical and Electronic Components

Click to view similar products for [Terminals](#) category:

Click to view products by [TE Connectivity](#) manufacturer:

Other Similar products are found below :

[00-054007-01074-6](#) [00-054007-70206-1](#) [00-054007-70210-8](#) [00-054007-70217-7](#) [00-054007-70226-9](#) [00-054007-70228-3](#) [00-054007-70248-1](#) [00-054007-70256-6](#) [00-054007-70301-3](#) [00-054007-70316-7](#) [0-0320562-0](#) [00-054007-49560-4](#) [00-054007-70209-2](#) [00-054007-70225-2](#) [00-054007-70227-6](#) [00-054007-70231-3](#) [00-054007-70241-2](#) [00-054007-70242-9](#) [00-054007-70244-3](#) [00-054007-70246-7](#) [00-054007-70263-4](#) [00-054007-70288-7](#) [00-054007-70290-0](#) [00-054007-70300-6](#) [00-054007-70304-4](#) [01-2065-1-0216](#) [01-2900-1-04412](#) [00581P0075](#) [600TS-10](#) [60205-1](#) [604200-1](#) [605601-1](#) [60598-1-CUT-TAPE](#) [61314-6-C](#) [61810-3](#) [61-S](#) [61-SN](#) [626-0194](#) [62-NBM-A](#) [62-SN](#) [62-SP](#) [63-S](#) [640179-1](#) [M55155/059I03](#) [M55155/079C01](#) [M55155/099H02](#) [M55155/109H01](#) [M55155/109H02](#) [M55155/12XH05](#) [M55155/16XH02](#)