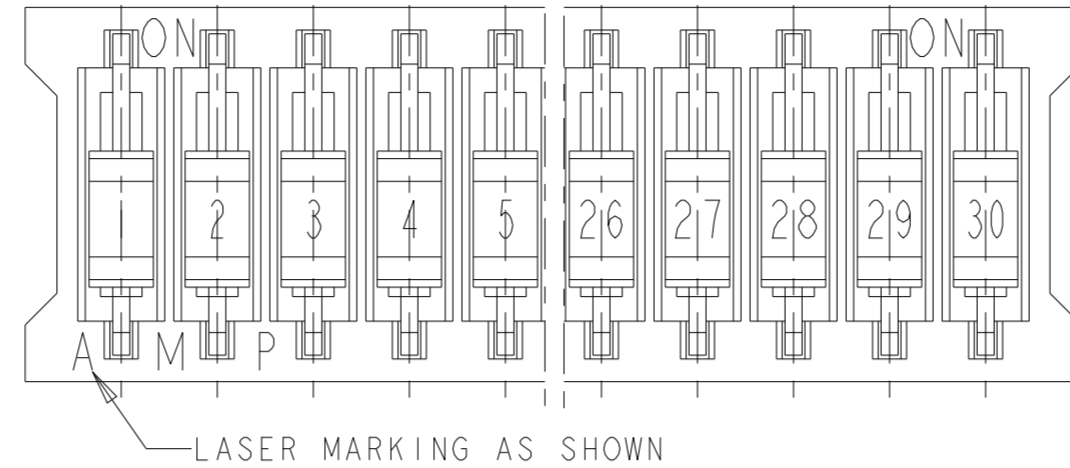


THIS DRAWING IS UNPUBLISHED. RELEASED FOR PUBLICATION 2011  
 © COPYRIGHT 2011 ALL RIGHTS RESERVED.

LOC		DIST		REVISIONS			
P	LTR	DESCRIPTION		DATE	DWN	APVD	
	BI	REVISED PER ECO-11-005027		02APR2011	RK	HMR	
	C	ECR-18-011887		06SEP2018	SR	PO	
	D	ECR-20-007880		11JUN2020	SB	JB	
	E	ECR-20-000861		05JAN2022	GSK	JB	

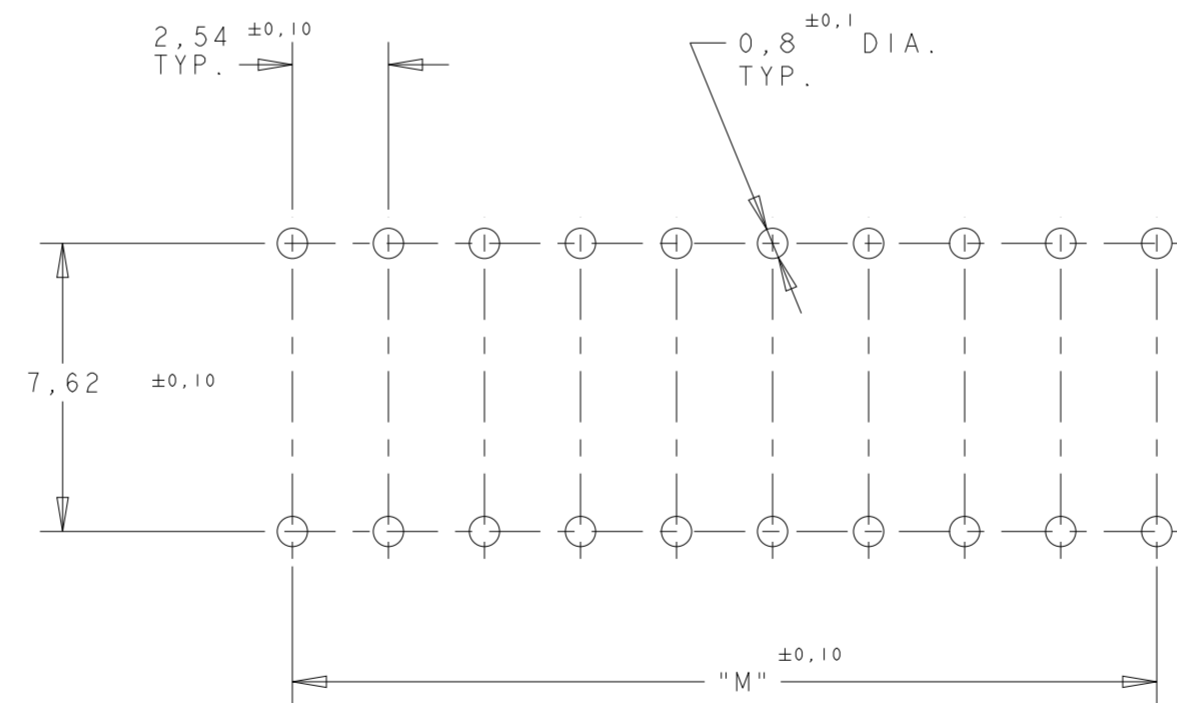
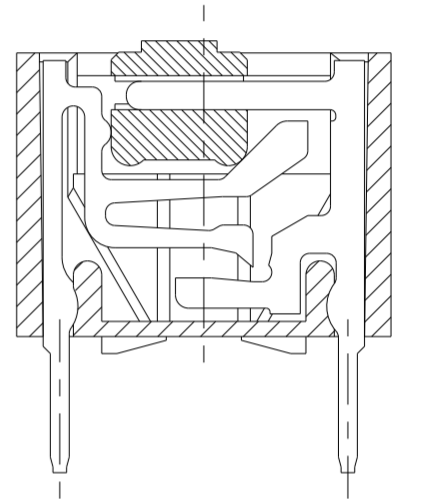
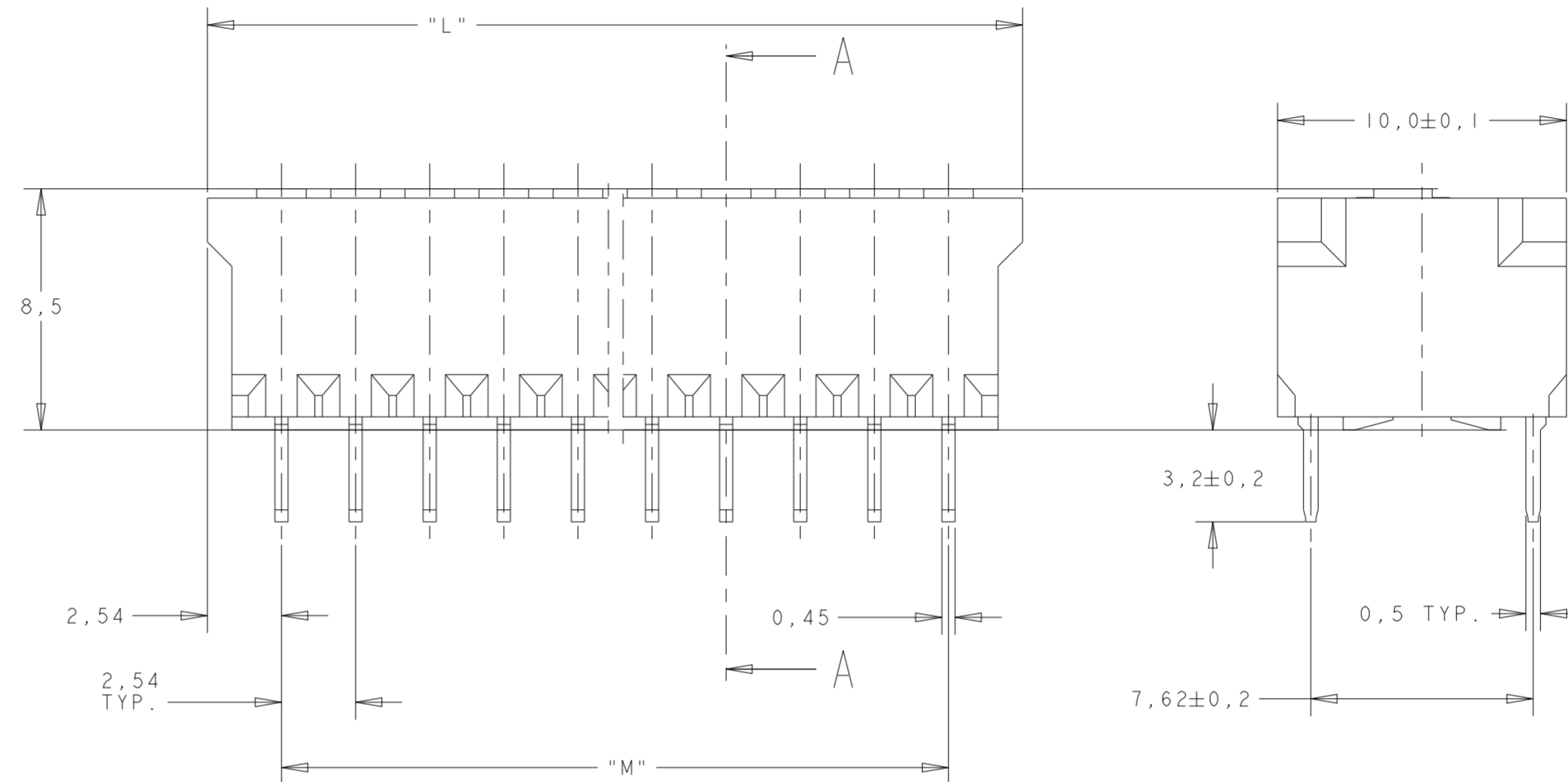
NUMBER OF POS.	PART NUMBER	PACK	"L" MAX.	"M"
1	0-5161390-1	2000	5,08	-
2	0-5161390-2	1000	7,62	2,54
3	0-5161390-3	1000	10,16	5,08
4	0-5161390-4	1000	12,70	7,62
5	0-5161390-5	500	15,24	10,16
6	0-5161390-6	500	17,78	12,70
7	0-5161390-7	500	20,32	15,24
8	0-5161390-8	500	22,86	17,78
9	0-5161390-9	250	25,40	20,32
10	1-5161390-0	250	27,94	22,86
11	1-5161390-1	250	30,48	25,40
12	1-5161390-2	250	33,02	27,94
13	1-5161390-3	150	35,56	30,48
14	1-5161390-4	150	38,10	33,02
15	1-5161390-5	150	40,64	35,56
16	1-5161390-6	100	43,18	38,10
17	1-5161390-7	100	45,72	40,64
18	1-5161390-8	100	48,26	43,18
19	1-5161390-9	100	50,80	45,72
20	2-5161390-0	100	53,34	48,26
21	2-5161390-1	100	55,88	50,80
22	2-5161390-2	100	58,42	53,34
23	2-5161390-3	100	60,96	55,88
24	2-5161390-4	100	63,50	58,42
25	2-5161390-5	100	66,04	60,96
26	2-5161390-6	50	68,58	63,50
27	2-5161390-7	50	71,12	66,04
28	2-5161390-8	50	73,66	68,58
29	2-5161390-9	50	76,20	71,12
30	3-5161390-0	50	78,84	73,66



AMP PRODUCT SPEC.: 108-19336.

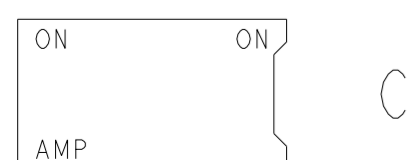
MATERIAL:

HOUSING : 30% G.F. NYLON , COLOUR : NATURAL.  
 ACTUATOR: 20% G.F. POLYESTER , COLOUR : RED.  
 CONTACTS: PHOSPHOR-BRONZE.  
 PLATING: MIN. 2,5 μm TIN.



RECOMMENDED P.C. BOARD HOLE PATTERN.  
 P.C. BOARD THICKNESS : 1,6mm.

SWITCH HOUSINGS MAY HAVE PROFILE A , B OR C.



THIS DRAWING IS A CONTROLLED DOCUMENT.		DWN RyHEUVEN	29JAN07	TE Connectivity	
DIMENSIONS: mm		CHK JydKROGT	29JAN07		
TOLERANCES UNLESS OTHERWISE SPECIFIED:		APVD JydKROGT	29JAN07	NAME	
0 PLC ±		PRODUCT SPEC		DIP SWITCH	
1 PLC ±0,1		APPLICATION SPEC		SOLDER LEGS 3,2mm LONG	
2 PLC ±0,05		WEIGHT		SIZE	RESTRICTED TO
3 PLC ±		CUSTOMER DRAWING		A2	
4 PLC ±		SCALE		CAGE CODE	DRAWING NO
ANGLES ±		NTS		-	G-5161390
FINISH ±		SHEET		1	OF
		REV		E	

## X-ON Electronics

Largest Supplier of Electrical and Electronic Components

*Click to view similar products for [DIP Switches/SIP Switches](#) category:*

*Click to view products by [TE Connectivity](#) manufacturer:*

Other Similar products are found below :

[78M03S](#) [79B10T](#) [8136-475G4T](#) [G7G-1A2-CB-DC12](#) [H7CZL8AC100240](#) [A7SS-M](#) [A8CA-201](#) [DRR60016](#) [DRS4016](#) [1825008-1](#) [1825444-1](#) [25.350.0653.0](#) [SDA10H1BDA](#) [97R06ST](#) [A2C-2A5](#) [1825444-7](#) [ADE08SA04](#) [ADE12S04](#) [192960010](#) [2-1825058-8](#) [25.330.0653.1](#) [25.352.0353.0](#) [CXDRIVEV2X](#) [IKN0600000](#) [IKN0800000](#) [LA2-002-DC24](#) [DBS1003](#) [438872000](#) [DRD10CRAE04](#) [DSR02T](#) [DSS 208 N](#) [E2FMX2D1M1TGJ03M](#) [NDI10H](#) [219-9MSTP](#) [204-6ES](#) [EPM02FV](#) [701521596](#) [NDS08V](#) [76SB05](#) [79A10](#) [TD06H0SK1](#) [Z7.255.9027.0](#) [1-1825058-3](#) [1825428-4](#) [219-10LPSTF](#) [E3ZG6111D03M](#) [G4D212PUSTV2DC5](#) [195-7MSTN](#) [NDI05H](#) [EPG301BT06](#)