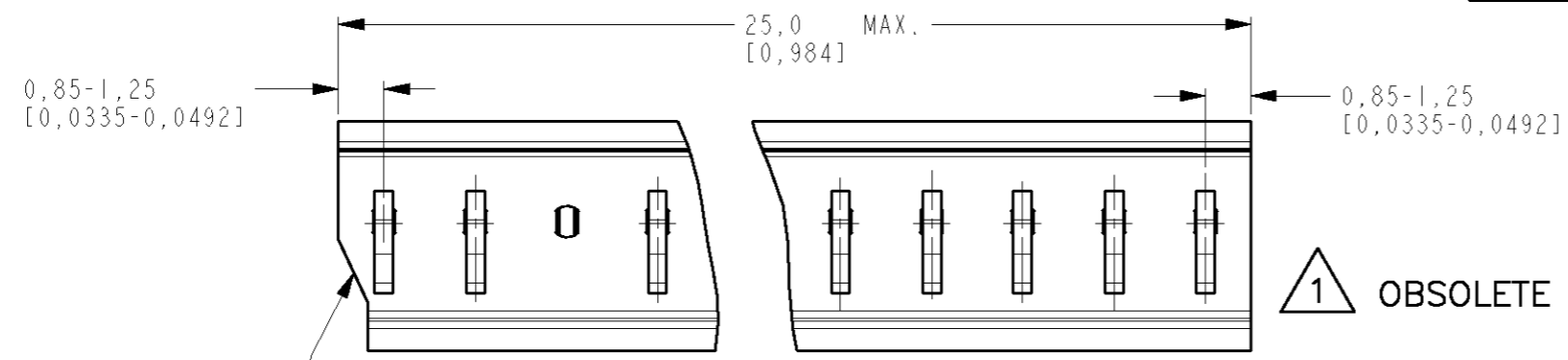
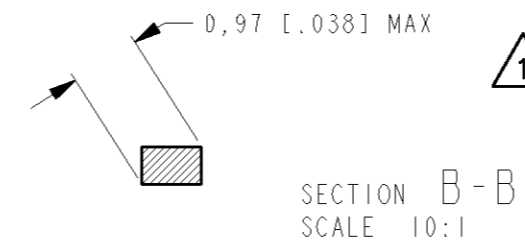
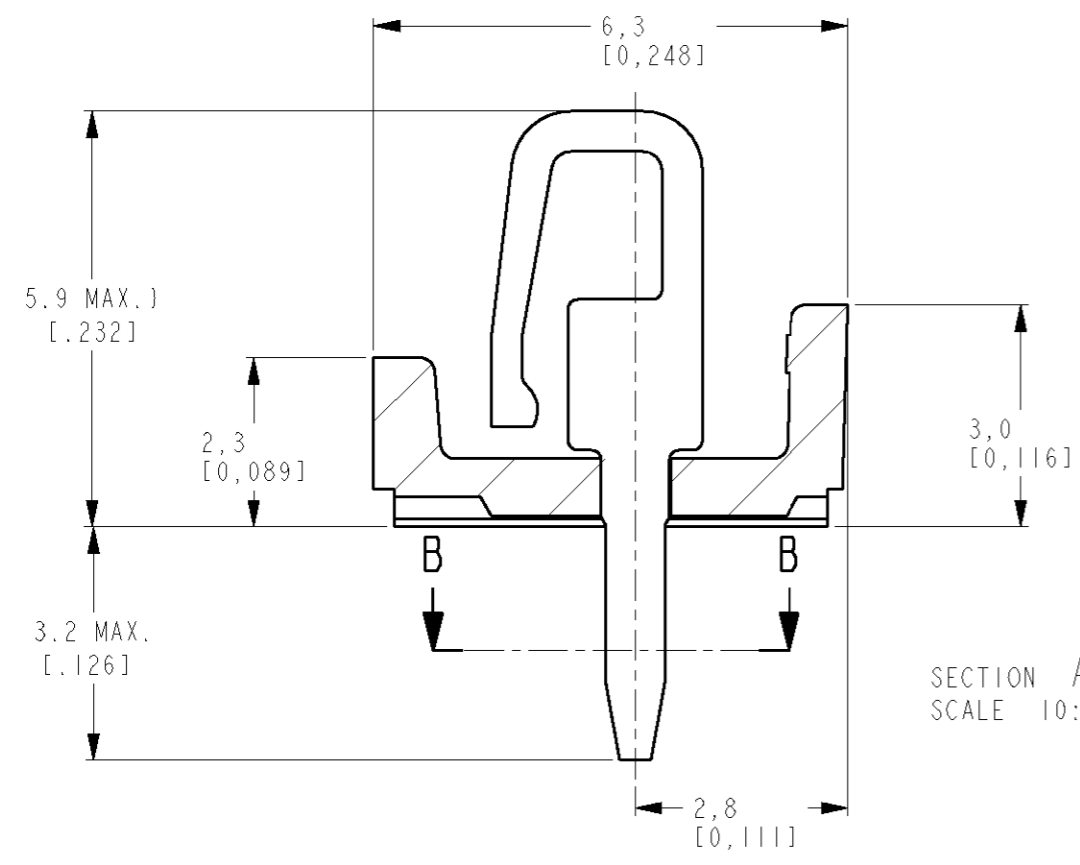
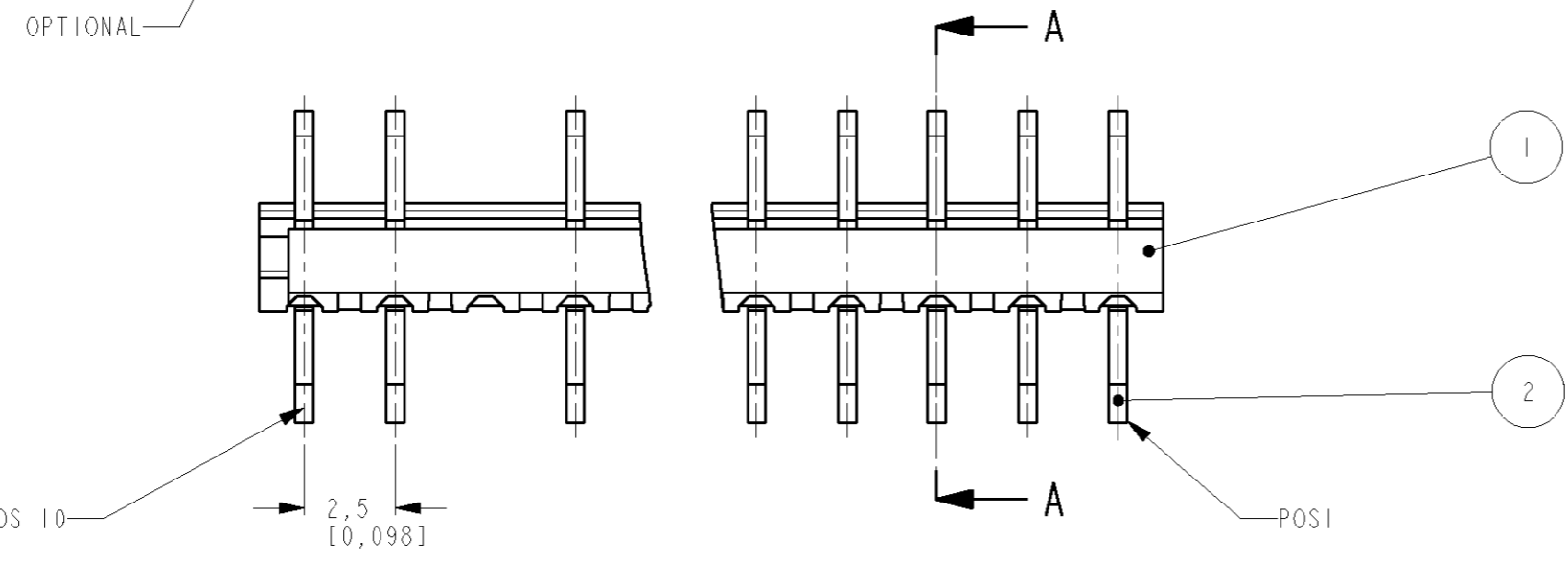


THIS DRAWING IS UNPUBLISHED. RELEASED FOR PUBLICATION  
 © COPYRIGHT - BY TYCO ELECTRONICS CORPORATION. ALL RIGHTS RESERVED.

LOC	DIST	REVISIONS					
H	-	P	LTR	DESCRIPTION	DATE	DWN	APVD
			A	ECN EH10 0344 05	09 MAR 05	MG	MG
			A1	REVISED PER ECO-09-026495	28NOV09	KK	AEG



1 OBSOLETE PARTS: OBSOLETE CIS STREAMLINING PER D.RENAUD/D.SINISI



PARTNUMBER	POSITION: * = LOADED; 0 = UNLOADED									
	1	2	3	4	5	6	7	8	9	10
5161510-1	*	*	*	*	*	0	*	*	*	*
5161510-2	*	*	*	0	*	*	*	*	*	*

1 OBSOLETE

2	CONTACT	BRASS	TIN OVER NICKEL
1	HOUSING	PBT 20% GF, COLOR GREEN	
ITEM NO.	DESCRIPTION	MATERIAL	FINISH
DWN	31 MAR 05	<b>tyco</b> TYCO ELECTRONICS NEDERLAND B.V.	
CHK	M. GOSSELINK	's-HERTOGENBOSCH, THE NETHERLANDS	
APVD	F. IJLJENS	NAME	
PRODUCT SPEC		MINI-MATCH CONNECTOR ASS'Y	
APPLICATION SPEC		10 POS 2.5 MM PITCH, RANDOM LOADED	
WEIGHT	-	SIZE	RESTRICTED TO
CUSTOMER DRAWING		A3 00779	C=5161510
SCALE 5:1		SHEET 1	OF 1
		REV	A1

THIS DRAWING IS A CONTROLLED DOCUMENT FOR TYCO ELECTRONICS CORPORATION  
 IT IS SUBJECT TO CHANGE AND THE CONTROLLING ENGINEERING ORGANIZATION  
 SHOULD BE CONTACTED FOR THE LATEST REVISION.

DIMENSIONS:	TOLERANCES UNLESS OTHERWISE SPECIFIED:
mm (inch)	
0 PLC	±
1 PLC	±
2 PLC	±
3 PLC	±
4 PLC	±
ANGLES	±
MATERIAL	FINISH
-	-

SECTION A-A  
 SCALE 10:1

## X-ON Electronics

Largest Supplier of Electrical and Electronic Components

*Click to view similar products for [Headers & Wire Housings](#) category:*

*Click to view products by [TE Connectivity](#) manufacturer:*

Other Similar products are found below :

[892-18-020-10-001101](#) [58102-G61-06LF](#) [582553-1](#) [0009485154](#) [009176003701906](#) [0050291907](#) [LY20-4P-DT1-P1E-BR](#) [02.125.8002.8](#)  
[609-3404](#) [61062-3](#) [61082-181009](#) [622-3653LF](#) [63453-116](#) [636-1030](#) [636-1427](#) [636-3427](#) [636-4007](#) [641938-9](#) [641991-4](#) [644827-2](#) [65817-010LF](#) [65817-015LF](#) [65863-015LF](#) [66207-023LF](#) [67095-007LF](#) [67601157](#) [68645-018](#) [68648-049](#) [70.362.1628.0](#) [70-4210](#) [70-4226B](#) [70-4853B](#) [707-5020](#) [707-5028](#) [71.350.2428.0](#) [71918-208LF](#) [71961-016LF](#) [733-134](#) [733-162](#) [754199-000](#) [760-3052](#) [787-8014-00](#) [79531-3000](#)  
[FCN-360C032-B](#) [FCN-367T-T012/H](#) [FCN-723D010/2](#) [80.063.4001.1](#) [800-90-001-10-001000](#) [800-90-010-10-002000](#) [801-43-002-10-013000](#)